

**SAI-M23-BE-6-3.5MM****Weidmüller Interface GmbH & Co. KG**

Klingenbergstraße 16

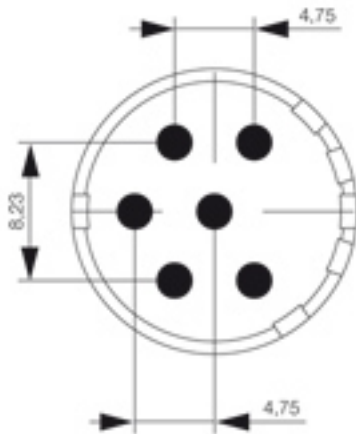
D-32758 Detmold

Germany

Fon: +49 5231 14-0

Fax: +49 5231 14-292083

www.weidmueller.com



The M23 round plug-in connectors offer a high number of mating cycles, high current-carrying capacity and high contact-density coupled with minimum dimensions. Enclosures, inserts and crimp contacts need to be ordered separately.

**General ordering data**

Type	SAI-M23-BE-6-3.5MM
Order No.	<a href="#">1224030000</a>
Version	Sensor/Actuator plug-in connector
GTIN (EAN)	4050118007787
Qty.	1 pc(s).

**SAI-M23-BE-6-3.5MM**

**Weidmüller Interface GmbH & Co. KG**  
 Klingenbergstraße 16  
 D-32758 Detmold  
 Germany  
 Fon: +49 5231 14-0  
 Fax: +49 5231 14-292083  
 www.weidmueller.com

**Technical data**

**Dimensions and weights**

Net weight 11 g

**Temperatures**

Operating temperature, max. 125 °C      Operating temperature, min. -40 °C

**Environmental Product Compliance**

REACH SVHC Lead 7439-92-1

**Standards**

Certificate No. (UR) E344862

**General data**

Coding	none	Conductor O.D.	-
Connection thread	M23	Contact material	Copper-Zinc alloy
Contact number / diameter	6 x 2 mm	Contact surface	Gold-plated
Fire behaviour	V-0	Housing main material	Thermoplastic polyamide PA 6, PBT
Insulation strength	> 10 <sup>10</sup> Ω	No. of poles	6
Plugging cycles	> 1000	Rated current	20 A
Type of connection	Solder connection		

**Classifications**

ETIM 4.0	EC002635	ETIM 5.0	EC002635
ETIM 6.0	EC000438	eClass 6.2	27-26-07-02
eClass 7.1	27-44-01-02	eClass 8.1	27-44-01-02
eClass 9.1	27-44-02-05		

**Product information**

Product information Enclosures, inserts and crimp contacts need to be ordered separately.

**Approvals**

Approvals



ROHS Conform

**Downloads**

Brochure/Catalogue [CAT 8 SAI 15/16 EN](#)  
[FL FIELDWIRING EN](#)