



Model Number

V1-4/8A-E2

Splitter box quadruple, twin configuration, with cage-clamp terminals

Features

- Fast, simple installation with cage clamp terminals
- Twin communication of the plug-in stations
- LED indicator for module supply and I/O status

Accessories

VAZ-V1-B3

Blind plug for M12 sockets

MH 05-SACB-4

Mounting aid for splitter boxes for DIN rail

V15S-T-V15

Y distributor, M12 connector on M12 socket/socket

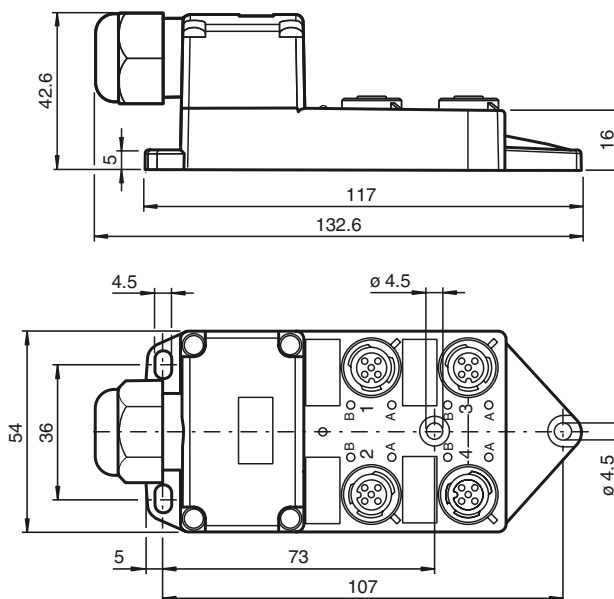
MH V1-SCREWDRIVER

torque screwdriver (0.4 Nm)

MH V1-BIT M12

plug-in cap M12

Dimensions



Technical data

General specifications

Number of pins	5
UL File Number	E191152

Electrical specifications

Operating voltage	U_B	24 V DC, max. 30 V DC
Operating current	I_B	≤ 5 mA per channel indication element
Current loading capacity		≤ 2 A per channel, ≤ 4 A per plug-in station, ≤ 8 A total current per distributor

Output

Number/Type	4 , twin configuration
-------------	------------------------

Ambient conditions

Ambient temperature	-25 ... 80 °C (-13 ... 176 °F)
---------------------	--------------------------------

Mechanical specifications

Connection type	4 x socket M12 x 1 5-pin 1 x terminal compartment
Degree of protection	IP65/IP67
Connection	Signal and energy: Cage tension spring terminals flexible: 0.2 mm ² ... 1 mm ² rigid: 0.2 mm ² ... 1.5 mm ² Sensor/actuator: 5-pin, M12 x 1 socket

Material

Contacts	Cu alloy
Contact surface	Au
Housing	PBT
Threaded bushings	PBT
Seal	O-ring: NBR

Cable

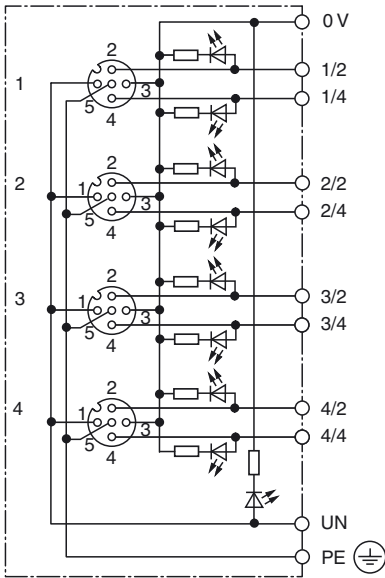
Sheath diameter	7 mm ... 12 mm
Flammability	94 V-0

Compliance with standards and directives

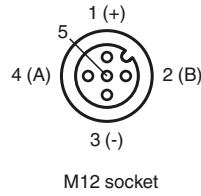
Standard conformity	
Degree of protection	EN 60529
Flammability	UL 94

Release date: 2018-03-22 11:19 Date of issue: 2018-03-22 259973_eng.xml

Electrical connection



Slot/Pin (signal)	Terminal
1 / 4 (A)	1 / 4
1 / 2 (B)	1 / 2
2 / 4 (A)	2 / 4
2 / 2 (B)	2 / 2
3 / 4 (A)	3 / 4
3 / 2 (B)	3 / 2
4 / 4 (A)	4 / 4
4 / 2 (B)	4 / 2
1-4 / 1 (UN)	UN
1-4 / 3 (0V)	0V
1-4 / 5 (PE)	PE



Release date: 2018-03-22 11:19 Date of issue: 2018-03-22 259973_eng.xml