



DEUTSCH | DEUTSCH 38999 Series III Composite Connectors

TE Internal #: YACT26JD05AN000000

Standard Circular Connectors, Wire-to-Wire, 5 Position, .1 in [.06 mm] Centerline, Sealable, Wire & Cable, Power & Signal, Cable Mount (Free-Hanging)

[View on TE.com >](#)

Connectors > Circular Connectors > Standard Circular Connectors > Straight Plug D38999, D05 Insert



Connector System: **Wire-to-Wire**

Number of Positions: **5**

Centerline (Pitch): **.06 mm [.1 in ]**

Sealable: **Yes**

Connector & Contact Terminates To: **Wire & Cable**

[All Straight Plug D38999, D05 Insert \(69\)](#)

## Features

### Product Type Features

Product Type	Connector
Connector System	Wire-to-Wire
Sealable	Yes
Connector & Contact Terminates To	Wire & Cable
Circular Connector Type	Plug
Shell Type	Straight Plug

### Configuration Features

Number of Positions	5
Number of Power Positions	0
Number of Signal Positions	5
Contacts Preloaded	No

### Body Features

Shell Plating Material	Cadmium O.D.
Shell Base Material	Composite
Circular Connector Insulation Material Type	Hard Dielectric/Silicone
Hermetically Sealed	No



### Contact Features

Contact Current Rating (Max)	13 A
Reverse Gender	No
Contact Layout Arrangement	Circular
Circular Connector Contact Type	Pin/Socket

### Mechanical Attachment

Connector Mounting Type	Cable Mount (Free-Hanging)
Polarization Code	Normal
Mating Alignment Type	Polarization
Mating Retention	Without

### Housing Features

Centerline (Pitch)	.06 mm [.1 in]
Circular Connector Shell Size	D (15)
Alignment Keyed	Clocking

### Dimensions

Wire Size	.61 – 1.21 mm <sup>2</sup>
-----------	----------------------------

### Usage Conditions

Operating Temperature Range	-65 – 200 °C [-85 – 392 °F]
-----------------------------	-----------------------------

### Operation/Application

Circuit Application	Power & Signal
Shielded	Yes

### Product Compliance

For compliance documentation, visit the product page on [TE.com](https://www.te.com)>

EU RoHS Directive 2011/65/EU	Not Compliant
EU ELV Directive 2000/53/EC	Not Compliant
China RoHS 2 Directive MIIT Order No 32, 2016	Restricted Materials Above Threshold
EU REACH Regulation (EC) No. 1907/2006	Current ECHA Candidate List: JUNE 2022 (224) Candidate List Declared Against: JUNE 2022 (224) SVHC > Threshold: Cd (3.45% in Plating) Decamethylcyclopentasiloxane (D5) (5% in Insert Subassembly)



**Article Safe Usage Statements:**

Use personal protective equipment as required. Do not eat, drink or smoke when using this product. Wash thoroughly after handling. Recycle if possible and dispose of the article by following all applicable governmental regulations relevant to your geographic location.

Halogen Content

Not Yet Reviewed for halogen content

Solder Process Capability

Not reviewed for solder process capability

**Product Compliance Disclaimer**

This information is provided based on reasonable inquiry of our suppliers and represents our current actual knowledge based on the information they provided. This information is subject to change. The part numbers that TE has identified as EU RoHS compliant have a maximum concentration of 0.1% by weight in homogenous materials for lead, hexavalent chromium, mercury, PBB, PBDE, DBP, BBP, DEHP, DIBP, and 0.01% for cadmium, or qualify for an exemption to these limits as defined in the Annexes of Directive 2011/65/EU (RoHS2). Finished electrical and electronic equipment products will be CE marked as required by Directive 2011/65/EU. Components may not be CE marked. Additionally, the part numbers that TE has identified as EU ELV compliant have a maximum concentration of 0.1% by weight in homogenous materials for lead, hexavalent chromium, and mercury, and 0.01% for cadmium, or qualify for an exemption to these limits as defined in the Annexes of Directive 2000/53/EC (ELV). Regarding the REACH Regulation, the information TE provides on SVHC in articles for this part number is based on the latest European Chemicals Agency (ECHA) 'Guidance on requirements for substances in articles' posted at this URL: <https://echa.europa.eu/guidance-documents/guidance-on-reach>

## Compatible Parts



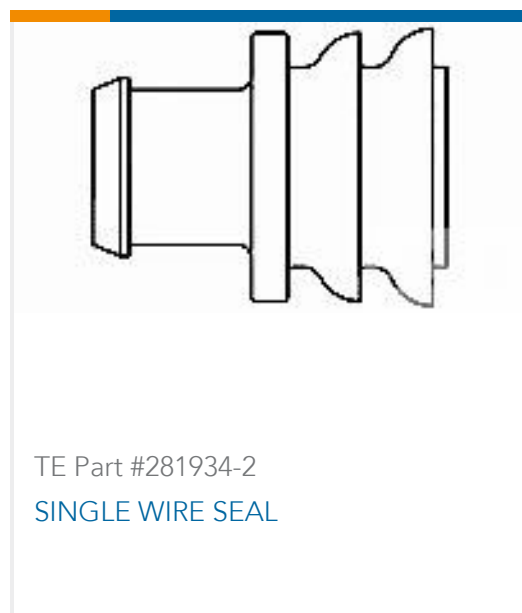
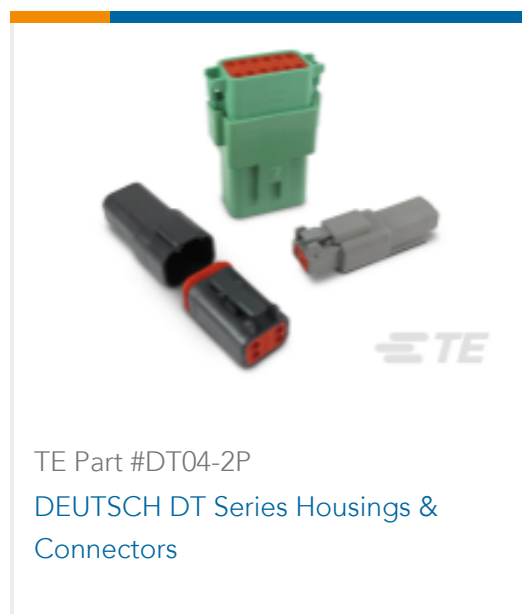
TE Part # YACT20JD05BNV00100  
SQUARE FLANGE RECEPTACLE

## Also in the Series | DEUTSCH 38999 Series III Composite Connectors



Standard Circular Connectors(12001)

## Customers Also Bought



## Documents

### Product Drawings

#### STRAIGHT PLUG

English

### Datasheets & Catalog Pages

#### DEUTSCH MIL-DTL-38999 CIRCULAR CONNECTORS

English