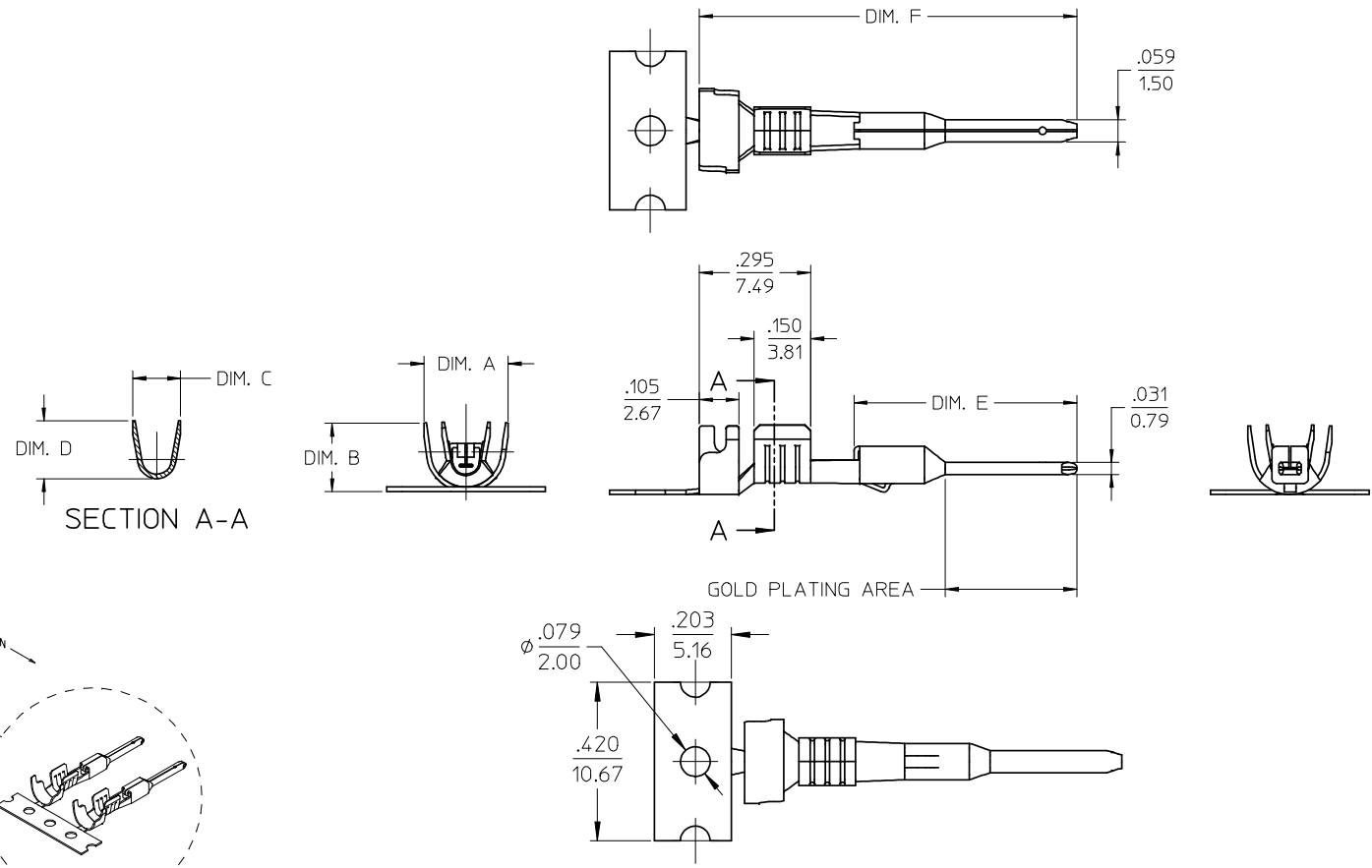
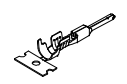


STRIP MATERIAL NUMBER	LOOSE PIECE MATERIAL NUMBER	AWG SIZE	FINISH	DIM. "A"	DIM. "B"	DIM. "C"	DIM. "D"	DIM. "E"	DIM. "F"
194170011	194170047	16-14	PREPLATED TIN 75µ MIN. THICK OVER NICKEL FLASH	.230/5.84	.182/4.62	.141/3.58	.155/3.94	.591/15.00	1.000/25.40
194170024	194170048	22-18		.181/4.60	.143/3.63	.108/2.74	.112/2.84	.591/15.00	1.000/25.40
194170025	194170049	16-14	SELECT HARD GOLD 30µ MIN. THICK WITH SELECT TIN 100µ MIN. THICK OVER NICKEL 50µ MIN. THICK OVERALL	.230/5.84	.182/4.62	.141/3.58	.155/3.94	.591/15.00	1.000/25.40
194170026	194170050	22-18		.181/4.60	.143/3.63	.108/2.74	.112/2.84	.591/15.00	1.000/25.40
194170027	194170051	16-14	PREPLATED TIN 75µ MIN. THICK OVER NICKEL FLASH	.230/5.84	.182/4.62	.141/3.58	.155/3.94	.621/15.77	1.030/26.16
194170028	194170052	22-18		.181/4.60	.143/3.63	.108/2.74	.112/2.84	.621/15.77	1.030/26.16
194170029	194170053	16-14	SELECT HARD GOLD 30µ MIN. THICK WITH SELECT TIN 100µ MIN. THICK OVER NICKEL 50µ MIN. THICK OVERALL	.230/5.84	.182/4.62	.141/3.58	.155/3.94	.621/15.77	1.030/26.16
194170030	194170054	22-18		.181/4.60	.143/3.63	.108/2.74	.112/2.84	.621/15.77	1.030/26.16



- NOTES:
1. MATERIAL: COPPER ALLOY .012/0.30 THK.
  2. FINISH: SEE CHART
  3. TERMINAL FOR USE WITH 19419-\*\*\*\* PLUG HOUSING ASSEMBLY.
  4. STRIP TERMINALS ARE REELED AS SHOWN ABOVE ON 24" REELS. 4000 PARTS PER REEL.
  5. LOOSE TERMINALS ARE BULK PACKAGED IN QUANTITIES OF 400.
  6. APPLICATION TOOLING AND CRIMP SPECIFICATIONS: 63865-6000 (14-16 AWG), 63865-6100 (18-22 AWG), 63811-3900 (HAND TOOL).

EC NO: ETC2004-0249 DRWN: JPAWLICK 2004/06/25 CHKD: JPAWLICK 2004/06/25 APPR: RDEROSS 2004/06/25	QUALITY SYMBOLS ▽ - 0 ▽ C - 0	GENERAL TOLERANCES (UNLESS SPECIFIED)		SCALE 4:1	DESIGN UNITS INCH	THIRD ANGLE PROJECTION	REVISE ON CAD ONLY	
		4 PLACES ± --- ± ---	3 PLACES ± --- ± .010	DIMENSION STYLE IN/MM		TITLE MALE PIN TERMINAL, 22-18 & 16-14 AWG, .059/1.50 X .031/0.79		
		2 PLACES ± 0.25 ± .02	1 PLACE ± 0.5 ± ---	DRAWN BY JPAWLICK	DATE 05/05/03	MOLEX INCORPORATED		
		ANGULAR ± 3 °		CHECKED BY JPAWLICK	DATE 05/05/02	MATERIAL NO. SEE CHART		
DRAFT WHERE APPLICABLE MUST REMAIN WITHIN DIMENSIONS		APPROVED BY RDEROSS	DATE 05/05/03	DOCUMENT NO. SD-19417-001	SHEET NO. 1 OF 1	THIS DRAWING CONTAINS INFORMATION THAT IS PROPRIETARY TO MOLEX INCORPORATED AND SHOULD NOT BE USED WITHOUT WRITTEN PERMISSION		