



NEOZED-MOUNTING-FUSE SOCKET W. ELEVATOR
TERMINALS D01/16A 1POLE,SNAP FIXING
W.SHOCKHAZARD PROTECT: COVER

Similar to image

Technical data:

Number of poles		1
Type of mounting		DIN rail
Operating current / rated value	A	16
Operating voltage / rated value	V	400
Material / of D fuse base		others
Product component / Cover		Yes
Size of the fallback-system / acc. to DIN EN 60269-1		D01

Certificates/approvals:

General Product Approval

Declaration of Conformity



Further information:

Information- and Downloadcenter (Catalogs, Brochures,...)

<http://www.siemens.com/lowvoltage/catalogs>

Industry Mall (Online ordering system)

<http://www.siemens.com/lowvoltage/mall>

Service&Support (Manuals, Certificates, Characteristics, FAQs,...)

<http://support.automation.siemens.com/WW/view/en/5SG1330/all>

Image database (product images, 2D dimension drawings, 3D models, device circuit diagrams, ...)

http://www.automation.siemens.com/bilddb/cax_en.aspx?mlfb=5SG1330

CAx-Online-Generator

<http://www.siemens.com/cax>

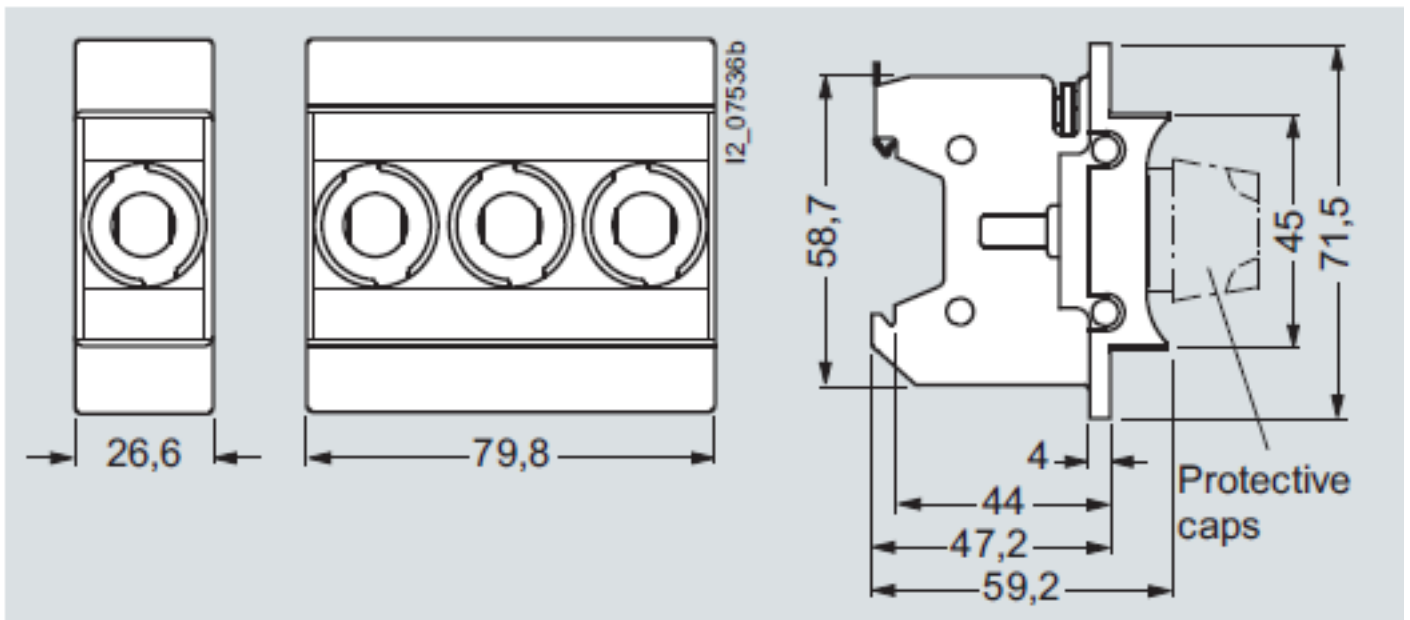
Tender specifications

Datanorm [GAEB81](#) [GAEB83](#) [RTF](#) [TXT](#)



last change:

Oct 28, 2013



5SG1 330, 5SG5 330,
5SG1 331, 5SG5 730

5SG1 730,
5SG1 731