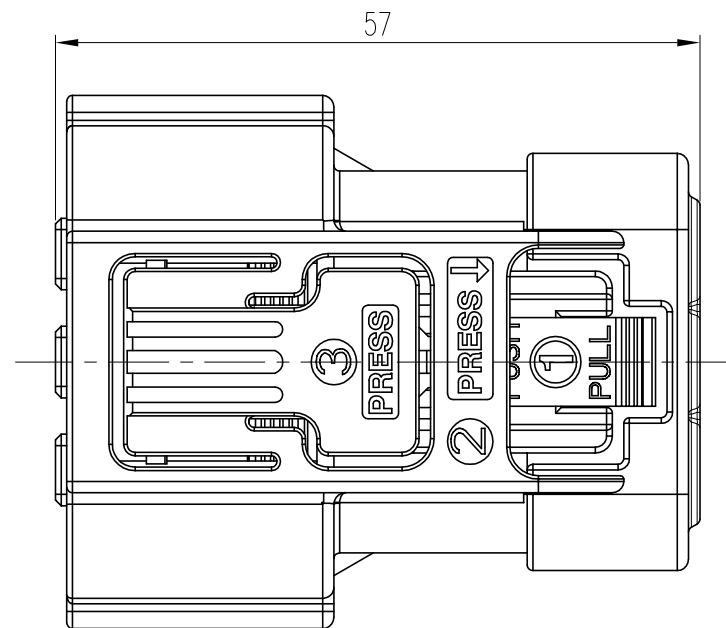
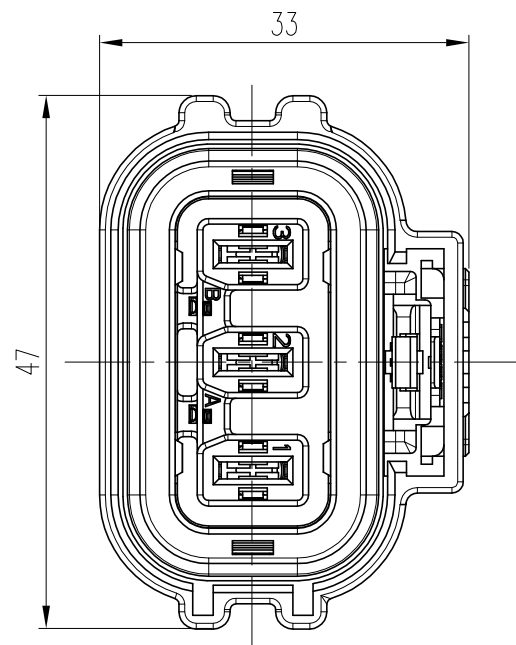
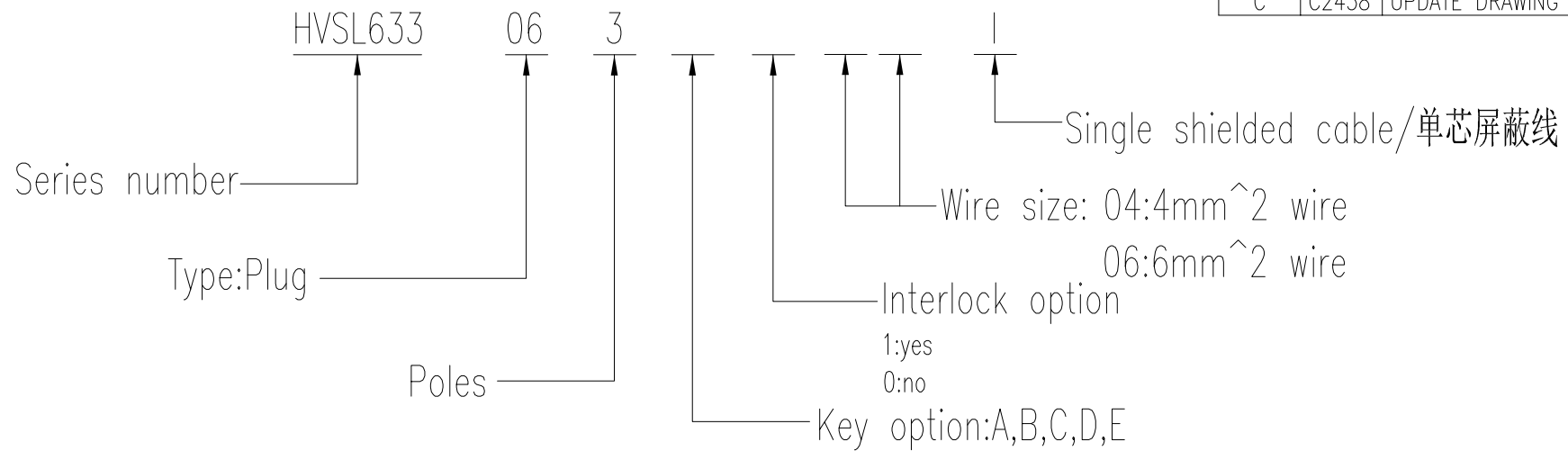


PART NUMBERING SCHEME

REV	ECN	DESCRIPTION	DATE	MODIFIED
A	C2255	RELEASE		
B	C2309	UPDATE PART NUMBERING SCHEME		
C	C2438	UPDATE DRAWING	Aug-16-17	Rock



***TECHNICAL PARAMETERS**

Material
 Housing : PA66 UL94-V0
 Contacts: Copper alloy, Tin plated
 Shield: Copper alloy, Tin plated
 Seal: Silicone
 Ferrule: Copper alloy, Tin plated

Mechanical data
 Operating Temperature: -40°C +125°C
 Durability: 50 cycles
 Contact Type: Crimping
 IP67, IP2XB

Electrical data
 Withstand Voltage: 3000V AC r.m.s
 Rated Current : 32A(4mm² cable)
 40A(6mm² cable)
 Rated Voltage: 800V AC
 Insulation Resistance: >200M^Ω
 Contact Resistance: < 2 m^Ω
 Suited to fit 4~6mm² cable
 Shielded

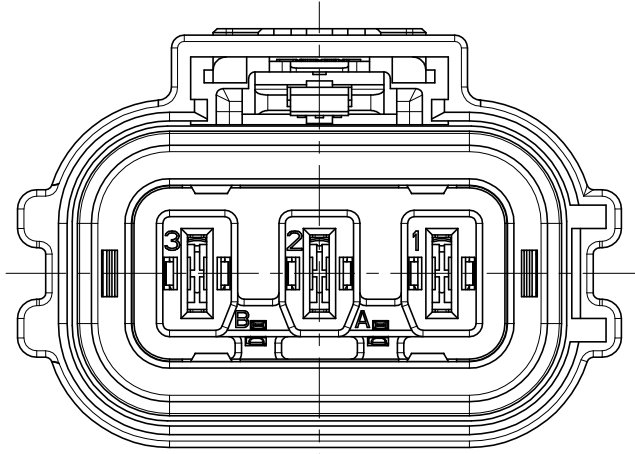
***NOTES:**

- HVSL633063AXXX shown in this sheet
- Recommend OD of wire(线缆护套直径):
 4mm² wire: φ5.10mm-φ5.70mm
 6mm² wire: φ6.10mm-φ6.70mm
- Contact should be ordered separately, Power contact: C310003623, Use level: 3pcs

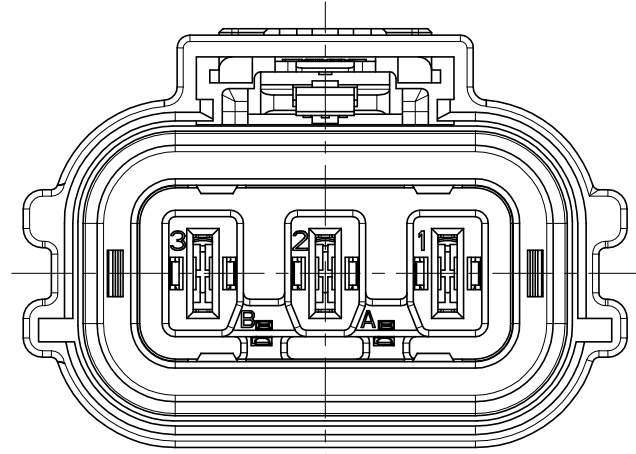
DIMENSIONS ANSI Y14.5M UNITS: MM CAD FILE	TOLERANCES .X ± 0.1 .XX ± 0.05 ANGLES ± 0.5°	PROJECTION 	Amphenol Pcd Shenzhen ENGR R.Chen 2016.12.14		TITLE <h2 style="text-align: center;">HVSL633 3P PLUG</h2>		
			ORIGINAL	THIS DOCUMENT CONTAINS PROPRIETARY INFORMATION WHICH IS THE CONFIDENTIAL PROPERTY OF AMPHENOL PCD SHENZHEN		CHKD APPD	SIZE A3
			CODE:	SCALE 3:2	SHEET 1 OF 2		

C-HVSL633063XXXXX1

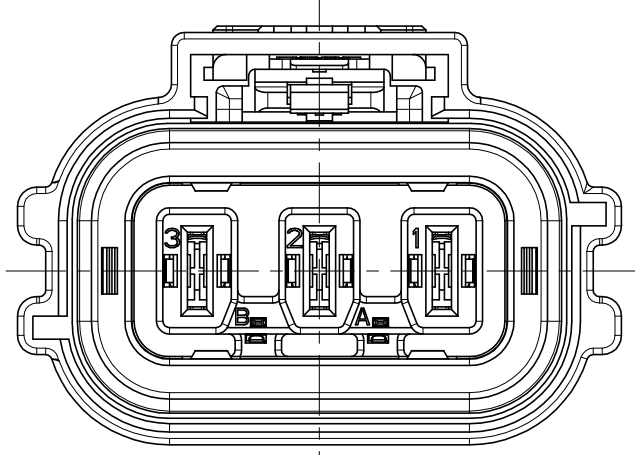
C-HVSL633063XXXXX1



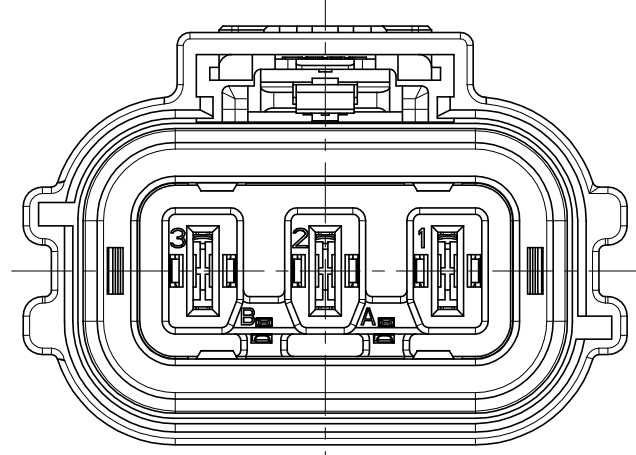
KEY A
HVSL633063AXXXI



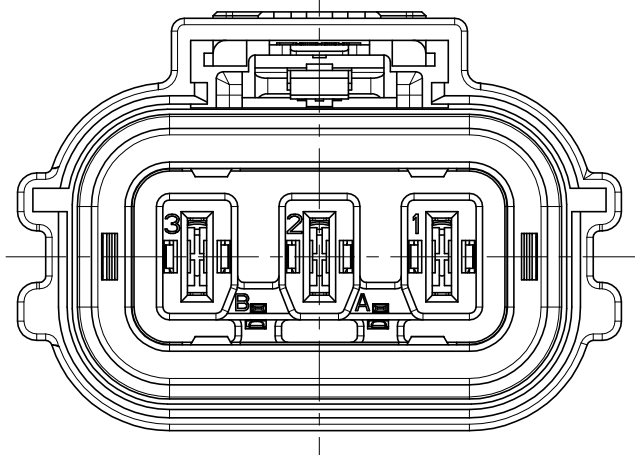
KEY D
HVSL633063DXXXXI



KEY B
HVSL633063BXXXXI



KEY E
HVSL633063EXXXXI



KEY C
HVSL633063CXXXXI

C-HVSL633063XXXXI

C-HVSL633063XXXXI

SIZE A3	DWG NO. C-HVSL633063XXXXI	REV C
CODE:	SCALE 1:1	SHEET 2 OF 2