

EW Series

- Designed to minimize panel space requirements.
- Model EW-40 and EW-60 are available from this edgewise series.
- Internal core magnet type movement is not affected by external magnetic field and steel.

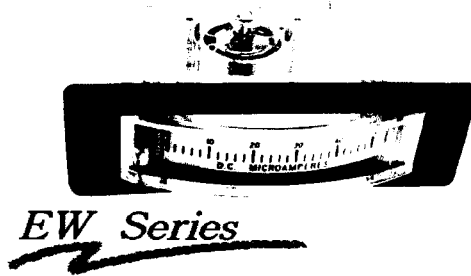


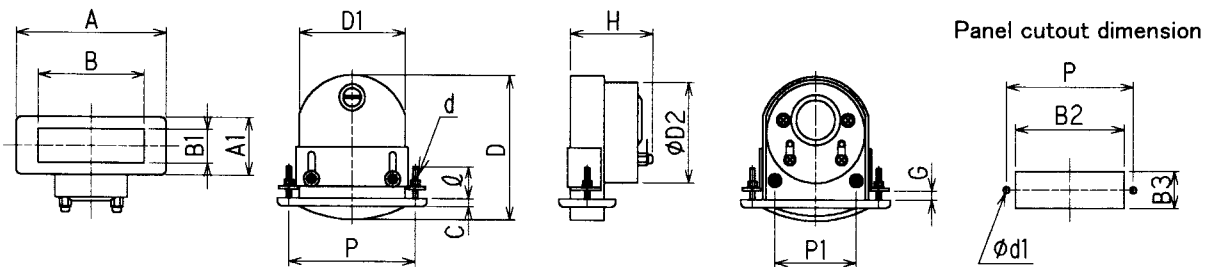
Photo :EW-60

◆ Model & Type

Type		Model Number	Class	Operating Principle
DC	Ammeters • Voltmeters	EW-40	5.0	Moving Coil Type
		EW-60	2.0	
AC	Ammeters • Voltmeters	EW-40	5.0	Rectifier Type
		EW-60	2.0	

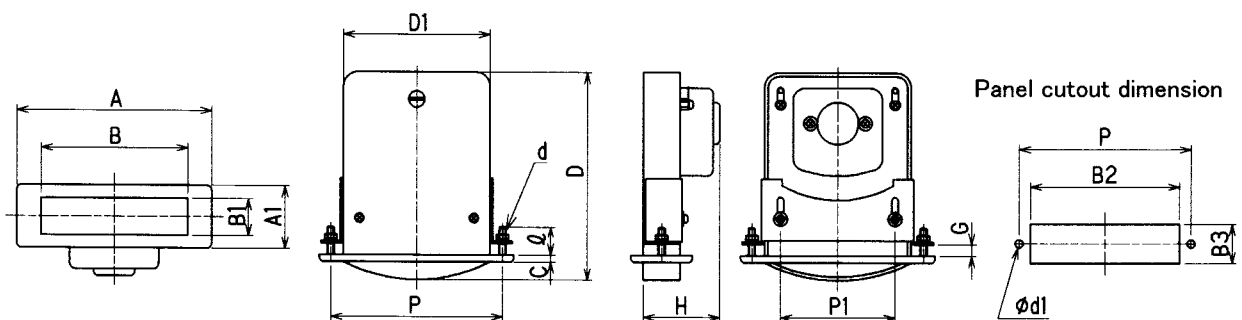
◆ Dimensions (mm)

EW-40



Model	A	A1	B	B1	C	D	D1	l	d	H	P	P1	φD2	B2	B3	φd1	G
EW-40	58	22	41	13	3	55	41	12	M2	32	49	31.5	38	42	14	2.5	0~3.5

EW-60



Model	A	A1	B	B1	C	D	D1	l	d	H	P	P1	B2	B3	φd1	G
EW-60	85	27	64	16	3	89	64	12	M3	33.5	75	50	65	17	3.5	0~5

◆ General Descriptions

	EW-40	EW-60
Front Cover & Case	Transparent acrylic resin	
Escutcheon	ABS resin • Black.	
Scale Plate	Black numerals & division lines on white background	
Pointer Shape & Colour	Needle • Red	
Scale Length	28mm	38mm
Pointer Deflection Angle	48°	45°
Operating Temperature Range	-10°C~+50°C	

◆ DC Ammeters

F.S. Value	Approx. Internal Resistance	
	EW-40	EW-60
50 μ A	3,900 Ω	3,200 Ω
100 μ A	1,650 Ω	1,300 Ω
200 μ A	680 Ω	700 Ω
500 μ A	160 Ω	200 Ω
1mA	65 Ω	70 Ω
10mA	3.3 Ω	3 Ω
50mA	Voltage Drop 50mV	
100mA		
500mA		
1A		
5A		

- ★ For ranges higher than 1A EW-40 will be supplied with external shunt.
- ★ For ranges higher than 5A EW-60 will be supplied with external shunt.

◆ AC Ammeters (Rectifier Type)

F.S. Value	Rectifier
1mA	Internally supplied.
10mA	Externally supplied.

- ★ Calibrated on sinusoidal waveform.

◆ DC Voltmeters

F.S. Value	Approx. Current Consumption
10V	1mA
50V	
100V	
150V	
300V	

- ★ For ranges higher than 150V EW-40 will be supplied with external multiplier.
- ★ For ranges higher than 300V EW-60 will be supplied with external multiplier.

◆ AC Voltmeters (Rectifier Type)

F.S. Value	Approx. Current Consumption
15V	1mA
30V	
50V	
100V	
150V	
300V	

- ★ For ranges higher than 150V EW-40 will be supplied with external multiplier.
- ★ For ranges higher than 300V EW-60 will be supplied with external multiplier.
- ★ Calibrated on sinusoidal waveform.