

- 1
- 2
- 3
- 4
- 5
- 6
- 7
- 8
- 9
- 10
- 11
- 12
- 13
- 14
- 15
- 16
- 17
- 18

STANDARD EXECUTIONS

Aluminium, oval cross section bar.

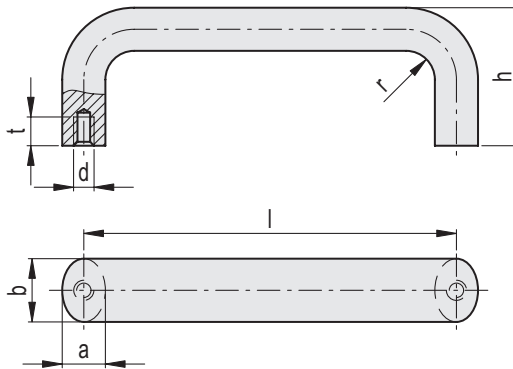
Threaded blind holes.

Surface finish index:

- **BL**: natural colour.
- **EL**: anodised, natural colour.
- **SW**: epoxy resin coating resistant to UV rays, RAL 9005 black colour, matte finish.

SPECIAL EXECUTIONS ON REQUEST

- Lengths and colours other than the standard executions.



Code BL	Code EL	Code SW	Description	b	l±0.25	d	a	h	r	tmin	⚖
GN.27091	GN.27131	GN.27092	GN 565-20-100.*	20	100	M6	13	49	13	10	87
GN.27095	GN.27132	GN.27096	GN 565-20-112.*	20	112	M6	13	49	13	10	97
GN.27070	GN.27071	GN.27072	GN 565-20-117.*	20	117	M6	13	49	13	10	100
GN.27073	GN.27074	GN.27075	GN 565-20-120.*	20	120	M6	13	49	13	10	105
GN.27101	GN.27133	GN.27102	GN 565-20-128.*	20	128	M6	13	51	13	10	107
GN.27105	GN.27134	GN.27106	GN 565-20-160.*	20	160	M6	13	51	13	10	127
GN.27161	GN.27162	GN.27163	GN 565-20-180.*	20	180	M6	13	51	13	10	138
GN.27164	GN.27165	GN.27166	GN 565-20-200.*	20	200	M6	13	51	13	10	150
GN.27167	GN.27168	GN.27169	GN 565-20-235.*	20	235	M6	13	51	13	10	172
GN.27107	GN.27141	GN.27108	GN 565-26-112.*	26	112	M8	17	55	17	12	160
GN.27076	GN.27077	GN.27078	GN 565-26-117.*	26	117	M8	17	55	17	12	166
GN.27079	GN.27080	GN.27081	GN 565-26-120.*	26	120	M8	17	55	17	12	170
GN.27082	GN.27083	GN.27084	GN 565-26-125.*	26	125	M8	17	55	17	12	178
GN.27109	GN.27142	GN.27110	GN 565-26-128.*	26	128	M8	17	55	17	12	183
GN.27111	GN.27143	GN.27112	GN 565-26-160.*	26	160	M8	17	57	17	12	211
GN.27085	GN.27086	GN.27087	GN 565-26-179.*	26	179	M8	17	57	17	12	230
GN.27115	GN.27144	GN.27116	GN 565-26-192.*	26	192	M8	17	57	17	12	245
GN.27121	GN.27145	GN.27122	GN 565-26-300.*	26	300	M8	17	57	17	12	350
GN.27125	GN.27146	GN.27126	GN 565-26-400.*	26	400	M8	17	57	17	12	445
GN.27088	GN.27089	GN.27090	GN 565-26-500.*	26	500	M8	17	57	17	12	538

2 * Complete by adding the finish index BL (blank), EL (anodised), SW (black).