

GN 726 | Knurled control knobs

Aluminium



- 1
- 2
- 3
- 4
- 5
- 6
- 7
- 8
- 9
- 10
- 11
- 12
- 13
- 14
- 15
- 16
- 17
- 18

MATERIAL

Knurled aluminium profile, anodised, black colour.

CAP

Acetal resin based (POM) technopolymer, light-grey colour.

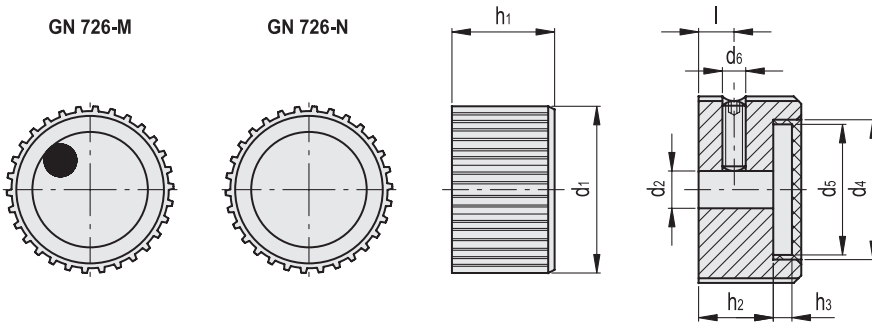
STANDARD EXECUTIONS

H8 reamed hole. Assembly by means of a supplied stainless steel transversal grub screw with hexagon socket.

- **GN 726-M**: cap with black position point.
- **GN 726-N**: plain cap.

SPECIAL EXECUTIONS ON REQUEST

On the surface of the cap words, marks, graphic symbols, etc...can be tampprinted in colours.



GN 726-M

Code	Description	d1	d2 H8	d6	d4	d5	l	h1	h2	h3	△
GN.30295	GN 726-22-B5-M-1	22	5	M4	16	14	5	15	9	4.3	11
GN.30305	GN 726-27-B6-M-1	27	6	M4	20	18	5.5	17	11	4.3	21
GN.30315	GN 726-34-B6-M-1	34	6	M5	25	23	7	20	14	4.2	39
GN.30325	GN 726-34-B8-M-1	34	8	M5	25	23	7	20	14	4.2	38
GN.30335	GN 726-42-B8-M-1	42	8	M5	32	30	8.5	23	17	4	69
GN.30345	GN 726-42-B10-M-1	42	10	M5	32	30	8.5	23	17	4	67

GN 726-N

Code	Description	d1	d2 H8	d6	d4	d5	l	h1	h2	h3	△
GN.30291	GN 726-22-B5-N-1	22	5	M4	16	14	5	15	9	4.3	11
GN.30301	GN 726-27-B6-N-1	27	6	M4	20	18	5.5	17	11	4.3	21
GN.30311	GN 726-34-B6-N-1	34	6	M5	25	23	7	20	14	4.2	39
GN.30321	GN 726-34-B8-N-1	34	8	M5	25	23	7	20	14	4.2	38
GN.30331	GN 726-42-B8-N-1	42	8	M5	32	30	8.5	23	17	4	69
GN.30341	GN 726-42-B10-N-1	42	10	M5	32	30	8.5	23	17	4	67

Control elements