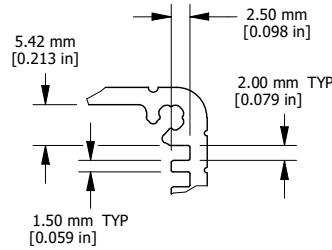
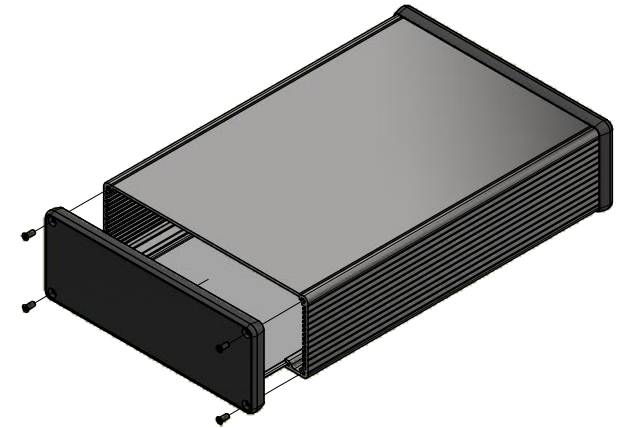


EXTRUSION

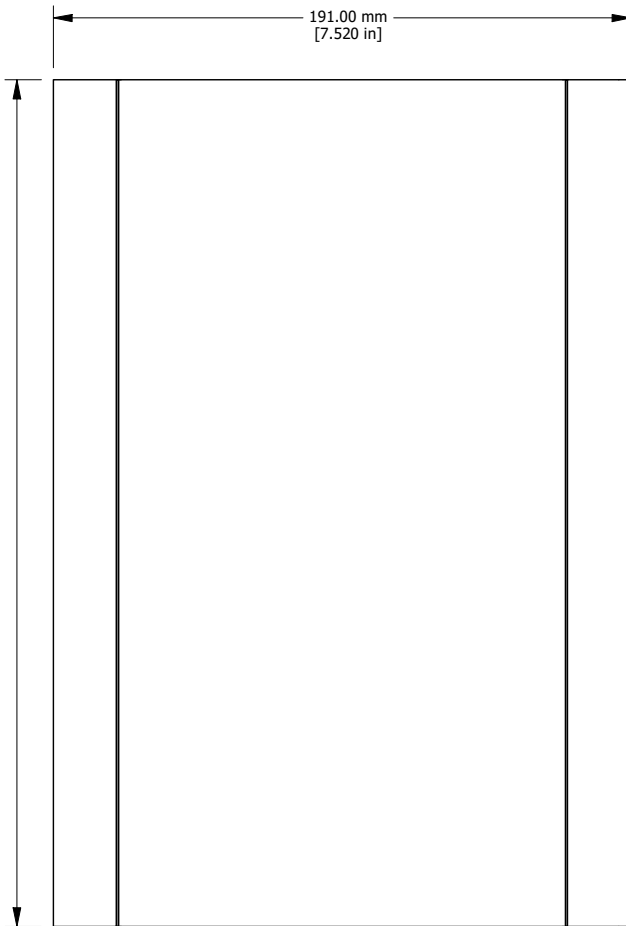


DETAIL A

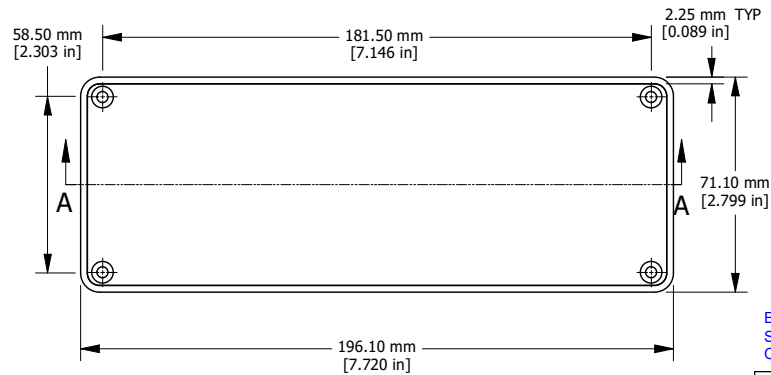


EXPLODED ISOMETRIC VIEW

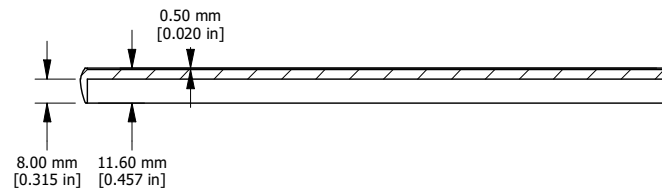
EXTRUSION DESIGNED FOR 186MM WIDE PC BOARD



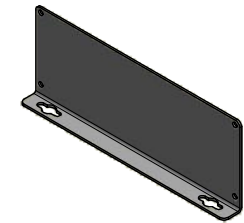
280.00 ± 0.50 mm
[11.024 ± 0.020 in]



CLOSED BEZEL



SECTION A-A



OPTIONAL FLANGED
END PANELS 1455UF

Enclosures can be Factory Modified (Milling, Drilling, Printing etc.)
Solid models of this enclosure available in STEP or IGES.
Contact Factory mjm@hammondmfg.com

NOTE

Purchased assembly includes box, plastic bezels, #6 Taptight screws and self adhesive rubber feet.

Box made from Extruded Aluminum 6063.

Bezels made with ABS.

1455U2802

PART NUMBERS

Clear Anodized	1455U2802
Black Anodized	1455U2802BK

ACCESSORIES

See website for accessories.



**HAMMOND
MANUFACTURING™**

1455U2802

www.hammondmfg.com