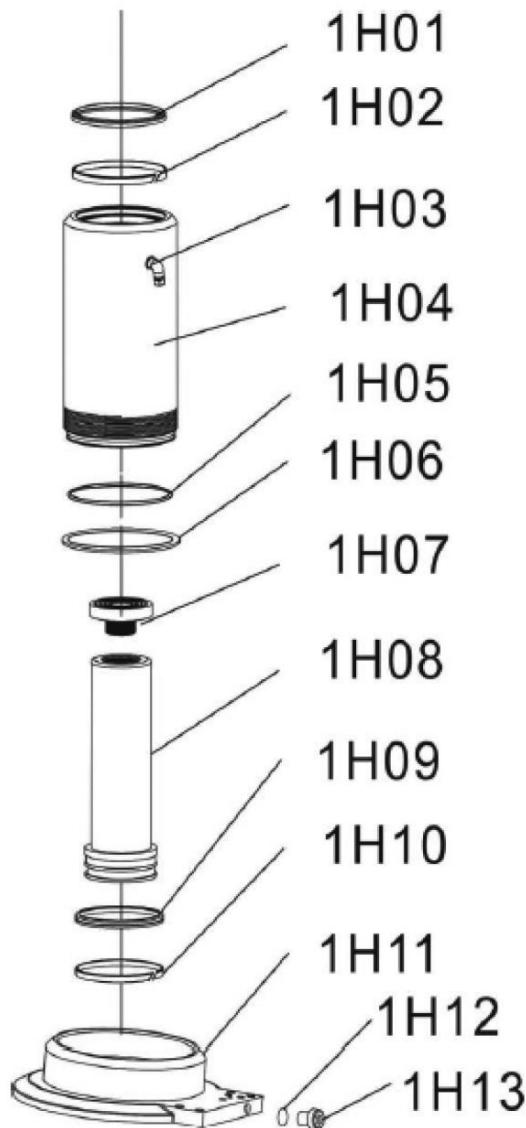




Parts Information:
**Air Operated Jack 30tonne - Single Stage/
 High Lift**
Model No: YAJ30H



Item	Part No.	Description
1H01	YAJ30H.1H01	DUSTPROOF RING
1H02	YAJ30H.1H02	GUIDE RING
1H03	YAJ30H.1H03	ELBOW
1H04	YAJ30H.1H04	OUTER SLEEVE
1H05	YAJ30H.1H05	O-RING
1H06	YAJ30H.1H06	LOCKING RING
1H07	YAJ30H.1H07	TOP COVER

Item	Part No.	Description
1H08	YAJ30H.1H08	PISTON
1H09	YAJ30H.1H09	SEAL
1H10	YAJ30H.1H10	GUIDE RING
1H11	YAJ30H.1H11	BASE
1H12	YAJ30H.1H12	O-RING
1H13	YAJ30H.1H13	SCREW

NOTE: It is our policy to continually improve products and as such we reserve the right to alter data, specifications and component parts without prior notice.

IMPORTANT: No liability is accepted for incorrect use of product.

WARRANTY: Guarantee is 12 months from purchase date, proof of which will be required for any claim.

Sealey Group, Kempson Way, Suffolk Business Park, Bury St Edmunds, Suffolk. IP32 7AR



01284 757500



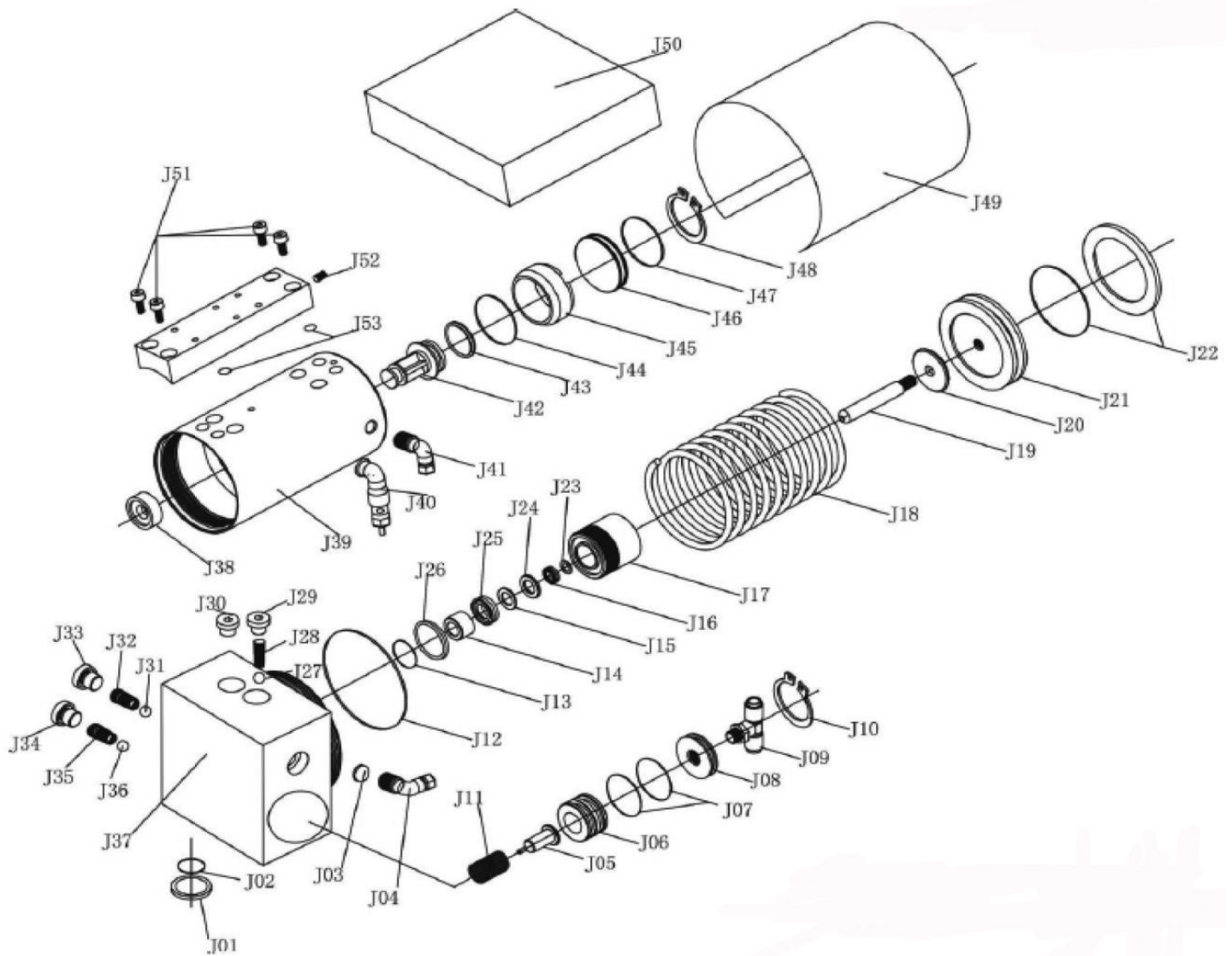
01284 703534



sales@sealey.co.uk



www.sealey.co.uk



NOTE: It is our policy to continually improve products and as such we reserve the right to alter data, specifications and component parts without prior notice.

IMPORTANT: No liability is accepted for incorrect use of product.

WARRANTY: Guarantee is 12 months from purchase date, proof of which will be required for any claim.



Parts Information:
**Air Operated Jack 30tonne - Single Stage/
High Lift**
Model No: YAJ30H

Item	Part No.	Description
J01	YAJ30H.J01	LOCKING RING
J02	YAJ30H.J02	O-RING
J03	YAJ30H.J03	FILTER
J04	YAJ30H.J04	ELBOW
J05	YAJ30H.J05	OIL DRAIN BOLT
J06	YAJ30H.J06	OIL DRAIN PISTON
J07	YAJ30H.J07	O-RING
J08	YAJ30H.J08	END COVER
J09	YAJ30H.J09	T-PIECE
J10	YAJ30H.J10	RETAINING RING
J11	YAJ30H.J11	SPRING
J12	YAJ30H.J12	O-RING
J13	YAJ30H.J13	O-RING
J14	YAJ30H.J14	GUIDE BUSHING
J15	YAJ30H.J15	LOCKING RING
J16	YAJ30H.J16	SEAL (B3)
J17	YAJ30H.J17	PLUNGER BUSHING
J18	YAJ30H.J18	SPRING
J19	YAJ30H.J21	PISTON ASS'Y (INCL.J19,J20,J21&J22)
J20	YAJ30H.J20	SPACER (USE YAJ30H.J21 'PISTON ASS'Y)
J21	YAJ30H.J21	PISTON ASS'Y (INCL.J19,J20,J21&J22)
J22	YAJ30H.J21	PISTON ASS'Y (INCL.J19,J20,J21&J22)
J23	YAJ30H.J23	LOCKING RING
J24	YAJ30H.J24	SPACER
J25	YAJ30H.J25	SEAL (B3)
J26	YAJ30H.J26	LOCKING RING
J27	YAJ30H.J27	STEEL BALL

Item	Part No.	Description
J28	YAJ30H.J28	SPRING
J29	YAJ30H.J30	SCREW NUT
J30	YAJ30H.J30	SCREW NUT
J31	YAJ30H.J31	STEEL BALL
J32	YAJ30H.J32	SPRING
J33	YAJ30H.J33	SCREW NUT
J34	YAJ30H.J34	SCREW NUT
J35	YAJ30H.J35	SPRING
J36	YAJ30H.J36	STEEL BALL
J37	YAJ30H.J37	CHECK VALVE
J38	YAJ30H.J38	RUBBER CAP
J39	YAJ30H.J39	AIR CYLINDER
J40	YAJ30H.J40	SAFETY VALVE
J41	YAJ30H.J41	ELBOW
J42	YAJ30H.J42	PISTON
J43	YAJ30H.J43	SEAL (Z8)
J44	YAJ30H.J44	O-RING
J45	YAJ30H.J45	VALVE HOOD
J46	YAJ30H.J46	END COVER
J47	YAJ30H.J47	O-RING
J48	YAJ30H.J48	RETAINING RING
J49	YAJ30H.J49	PROTECTING HOOD
J50	YAJ30H.J50	FOAM FILTER
J51	YAJ30H.J51	SCREW
J52	YAJ30H.J52	SCREW NUT
J53	YAJ30H.J53	O-RING

NOTE: It is our policy to continually improve products and as such we reserve the right to alter data, specifications and component parts without prior notice.

IMPORTANT: No liability is accepted for incorrect use of product.

WARRANTY: Guarantee is 12 months from purchase date, proof of which will be required for any claim.

Sealey Group, Kempson Way, Suffolk Business Park, Bury St Edmunds, Suffolk. IP32 7AR



01284 757500



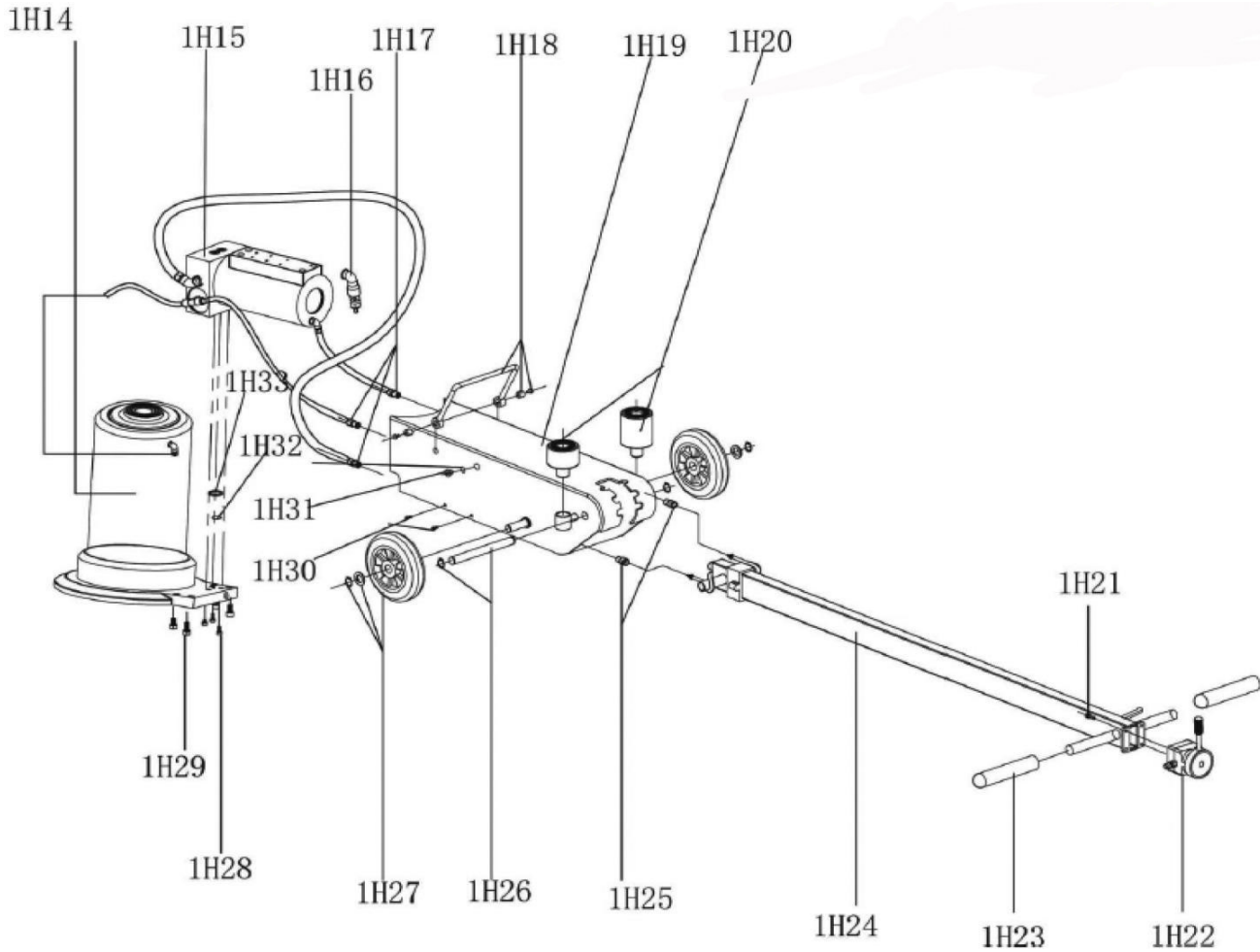
01284 703534



sales@sealey.co.uk



www.sealey.co.uk



Item	Part No.	Description
1H14	YAJ30H.1H14	OIL CYLINDER ASSEMBLY
1H15	YAJ30H.1H15	PUMP ASSEMBLY
1H16	YAJ30H.1H16	SAFETY VALVE
1H17	YAJ30H.1H17	JOINT
1H18	YAJ30H.1H18	LIFTING HANDLE SET
--	SFS819.S	HEX HEAD FLANGE BOLT M8x19 SINGLE (NOT SHOWN)
1H19	YAJ30H.1H19	OIL TANK
1H20	YAJ30H.1H20	ADAPTORS
1H21	SCB516.SB	SOCKET HEAD CAP SCREW M5x16 BLACK
1H22	YAJ30H.1H22	SWITCH

Item	Part No.	Description
1H23	YAJ30H.1H23	HANDLE GRIP
1H24	YAJ30H.1H24	HANDLE ASS'Y
1H25	YAJ30H.1H25	JOINT
1H26	YAJ30H.1H26	WHEEL AXLE
1H27	YAJ30H.1H27	WHEEL, FIXED (W/FIXINGS)(200x44x50)
1H28	YAJ30H.1H28	SCREW
1H29	YAJ30H.1H29	SCREW
1H30	YAJ30H.1H30	SCREW
1H31	YAJ30H.1H31	SCREW
1H32	YAJ30H.1H32	O-RING
1H33	YAJ30H.1H33	LOCKING RING

NOTE: It is our policy to continually improve products and as such we reserve the right to alter data, specifications and component parts without prior notice.

IMPORTANT: No liability is accepted for incorrect use of product.

WARRANTY: Guarantee is 12 months from purchase date, proof of which will be required for any claim.