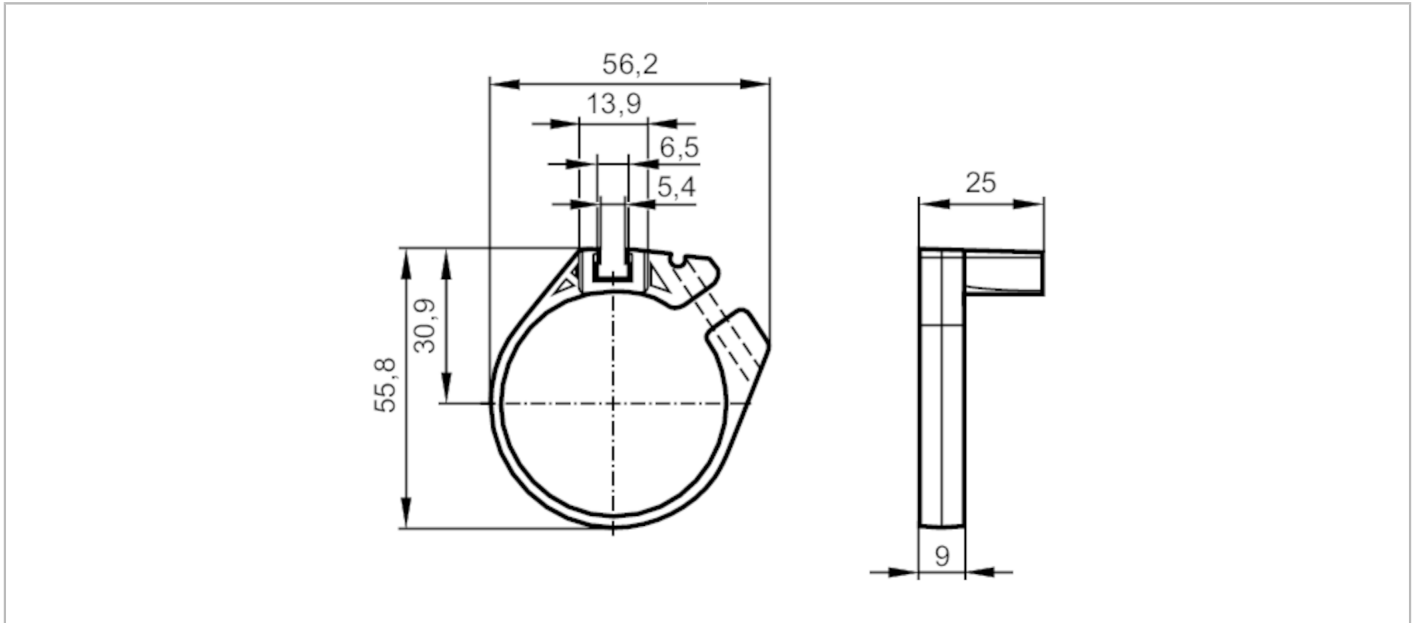


# E12015



## Clean-line cylinder mounting clamp for cylinder sensors

CLAMP FOR CLEAN LINE CYL 40/45



### Application

Design for types MKT

### Operating conditions

Ambient temperature [°C] 0...50

### Mechanical data

Weight [g] 12.1

Materials POM; fixture: aluminium; screw: stainless steel

Tightening torque [Nm] 0.5; (Mounting screw)

Clamping range [mm] 44...45

Piston diameter [mm] 40

### Accessories

Accessories (supplied) socket head screws: 1 x SW2,5

### Remarks

Pack quantity 1 pcs.

### Diagrams and graphs

Installation

