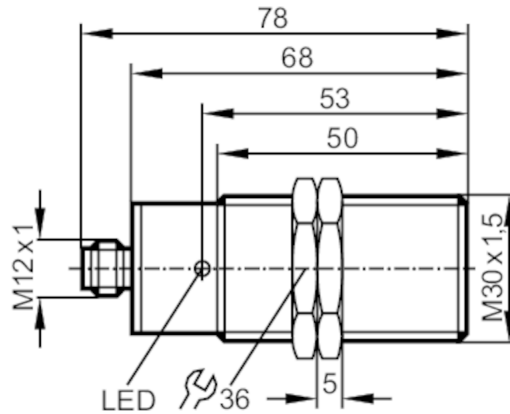




## Inductive sensor

IIA2010-FRKG/US-100-IRF RT



Product characteristics	
Electrical design	PNP/NPN
Output function	normally open / normally closed; (selectable)
Sensing range [mm]	10
Housing	threaded type
Dimensions [mm]	M30 x 1.5 / L = 78
Electrical data	
Operating voltage [V]	10...55 DC
Protection class	III
Reverse polarity protection	yes
Outputs	
Electrical design	PNP/NPN
Output function	normally open / normally closed; (selectable)
Max. voltage drop switching output DC [V]	4.6
Minimum load current [mA]	4
Max. leakage current [mA]	0.5
Permanent current rating of switching output DC [mA]	300
Switching frequency DC [Hz]	450
Short-circuit protection	yes
Type of short-circuit protection	pulsed
Overload protection	yes
Detection zone	
Sensing range [mm]	10
Real sensing range $S_r$ [mm]	$10 \pm 10 \%$
Operating distance [mm]	0..8.1

# II5735



## Inductive sensor

IIA2010-FRKG/US-100-IRF RT

### Accuracy / deviations

Correction factor	steel: 1 / stainless steel: 0.7 / brass: 0.4 / aluminium: 0.5	
Hysteresis [% of Sr]	1...15	
Switch point drift [% of Sr]	-10...10	

### Operating conditions

Ambient temperature [°C]	-25...80	
Protection	IP 67	

### Tests / approvals

EMC	EN 60947-5-2	
	EN 55011	class B
MTTF [years]	1835	
UL approval	Ta	0...40 °C
	Enclosure type	Type 1
	voltage supply	Hazardous voltage
	File number UL	E174191

### Mechanical data

Weight [g]	165	
Housing	threaded type	
Mounting	flush mountable	
Dimensions [mm]	M30 x 1.5 / L = 78	
Thread designation	M30 x 1.5	
Materials	brass nickel-plated; PBT	

### Displays / operating elements

Display	switching status	1 x LED, red
---------	------------------	--------------

### Accessories

Accessories (supplied)	lock nuts: 2	
------------------------	--------------	--

### Remarks

Pack quantity	1 pcs.	
---------------	--------	--

### Electrical connection - plug

Connector: 1 x M12



# II5735



## Inductive sensor

IIA2010-FRKG/US-100-IRF RT

