

PRK 2

Miniature retro-reflective photoelectric sensor with polarization filter

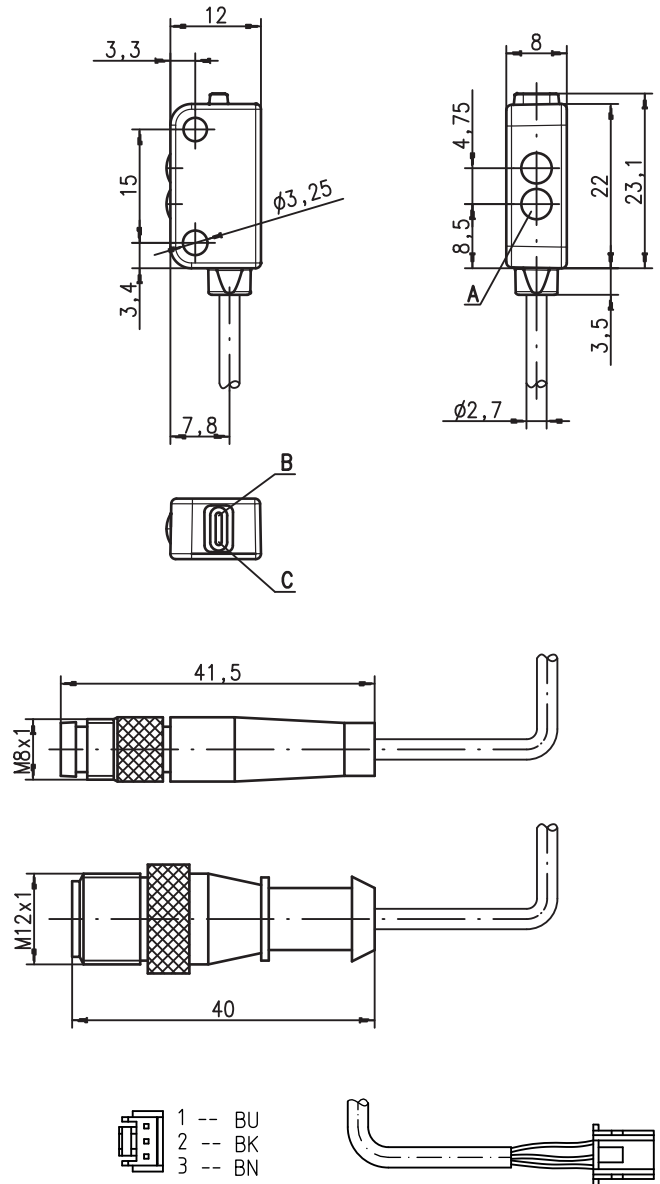
en 04-2020/01/16 50112210



0.07 ... 4m

- Miniature retro-reflective photoelectric sensor with visible red light
- Homogeneous, clearly visible light spot through pin-point LED
- Universal connection options
- Miniature construction with temperature-stable plastic housing with degree of protection IP 67 and 2 inlaid metal fastening sleeves for secure mounting

Dimensioned drawing



- A** Transmitter
- B** Yellow indicator diode
- C** Green indicator diode

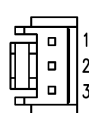
Electrical connection

Connector, 4-pin

10-30V DC +	1	br/BN
OUT 2	2	ws/WH
GND	3	bl/BU
OUT 1	4	sw/BK

Cable, 4 wires

10-30V DC +	br/BN
OUT 2	ws/WH
GND	bl/BU
OUT 1	sw/BK

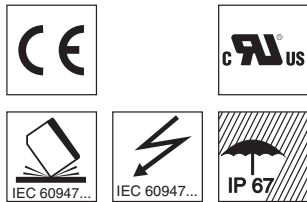


Pin	Color	Signal
1	BU	GND
2	BK	OUT
3	BN	10 - 30 V DC +

Accessories:

(available separately)

- Mounting device BT 002 M.5 (50112206)
- Cable with M8 or M12 connector (K-D ...)
- Reflectors
- Reflective tapes



We reserve the right to make changes • DS_PRK2_EN.fm

Technical data

Optical data

Typ. operating range limit ¹⁾	0.07 ... 4 m with TKS 100x100 reflector
Operating range ²⁾	See tables
Light beam characteristic	Divergent, typ. light spot Ø 5 mm at a distance of 200 mm
Light source ³⁾	LED (modulated light)
Wavelength	640nm (visible red light, polarized)

Time behavior

Switching frequency	700Hz
Response time	0.72ms
Repeatability	175µs
Readiness delay	≤ 120ms

Electrical data

Operating voltage U _B ⁴⁾	10 ... 30VDC (incl. residual ripple)
Residual ripple	≤ 10% of U _B
Open-circuit current	≤ 20mA
Switching output	OUT1 (pin 4): PNP light switching OUT2 (pin 2): NPN light switching
	OUT1 (Pin 4): PNP dark switching OUT2 (Pin 2): NPN dark switching
	Bipolar transistor with open collector, Leakage current (OFF): PNP=10µA, NPN=10µA, Saturation voltage (ON, at 50mA): PNP=2V, NPN=2V Max. 50mA (per output and total) C ≤ 2,2µF
Output configuration	.../42 .../42D
Output current	
Load	

Indicators

Green LED continuous light	Ready
Green LED flashing	Output overloaded
Yellow LED continuous light	Light path free
Yellow LED, flashing	Light path free, no function reserve

Mechanical data

Housing	Plastic (TPE), color: red RAL 3000
Optics cover	Plastic (PC)
Fastening	By means of 2 brass sleeves integrated in the housing
Weight	With 2 m cable: 50g With 150mm cable and connector: 20g
Connection type	2m cable, PVC, 4-wire, wire cross section 4x0.14mm ² , 150mm cable with M8/M12 connector, 4-pin, 300mm cable and JST connector, 3-pin 500 mm cable and JST connector, 3-pin

Environmental data

Ambient temp. (operation/storage)	-20°C ... +55°C/-30°C ... +75°C
Protective circuit ⁵⁾	1, 2, 3, 4
VDE protection class	III
Degree of protection	IP 67
LED class	1 (acc. to EN 60825-1)
Standards applied	IEC 60947-5-2
Certifications	cURus (Recognised Component Mark for Canada and USA)

- 1) Typ. operating range limit: max. attainable range without function reserve
- 2) Operating range: recommended range with function reserve
- 3) Average life expectancy 100,000h at an ambient temperature of 25°C
- 4) For UL applications: use is permitted exclusively in Class 2 circuits according to NEC
- 5) 1=overload protection, 2=polarity reversal protection, 3=short circuit protection for all transistor outputs, 4=transient protection max. ± 50V

Tables

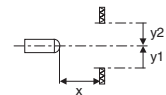
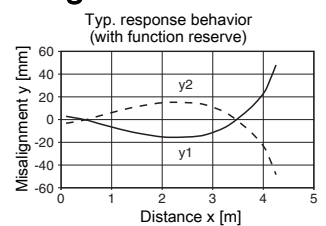
Reflectors	Operating range
1 TK(S) 100x100	0.07 ... 3.5m
2 TK 40x60	0.07 ... 2.5m
3 TK 20x40	0.02 ... 1.3m
4 Film 4 50x50	0.12 ... 0.9m

1	0.07		3.5	4
2	0.07	2.5	2.9	
3	0.02	1.3	1.5	
4	0.12	0.9	1.1	

□ Operating range [m]
□ Typ. operating range limit [m]

TK ... = adhesive
TKS ... = screw type

Diagrams



Notes

● **Approved purpose**

The retro-reflective photoelectric sensors are optoelectronic sensors for optical, contactless detection of objects. This product may only be used by qualified personnel and must only be used for the approved purpose. This sensor is not a safety sensor and is not intended as personnel protection.

PRK 2

Miniature retro-reflective photoelectric sensor with polarization filter

Part number code

P	R	K	2	/	4	2	D					,	1	5	0	-	S	1	2
---	---	---	---	---	---	---	---	--	--	--	--	---	---	---	---	---	---	---	---

Operating principle

HRTR	Miniature diffuse sensor with background suppression, red light
PRK	Miniature retro-reflective photoelectric sensor with polarization filter
LSSR	Miniature throughbeam photoelectric sensor, red-light transmitter
LSER	Miniature throughbeam photoelectric sensor, red-light receiver

Series

2	2 series
----------	----------

Switching output

/42	Bipolar transistor output open collector, OUT 1 (pin 4): PNP, OUT 2 (pin 2): NPN
------------	--

Switching output function

N/A	OUT 1 and OUT 2 both light switching
D	OUT 1 and OUT 2 both dark switching

Range (only with operating principle HRTR)

-15F	Maximum range set to 15mm
-30F	Maximum range set to 30mm
-50F	Maximum range set to 50mm

Electrical connection

N/A	Cable, PVC, standard length 2000mm, 4-wire
,150-S8	Cable, PVC, length 150mm with M8 connector, 4 pin, axial
,150-S12	Cable, PVC, length 150mm with M12 connector, 4 pin, axial
,300-JST	PVC cable, length 300 mm with JST connector, 3-pin
,500-JST	PVC cable, length 500 mm with JST connector, 3-pin

Order guide

The sensors listed here are preferred types; current information at www.leuze.com

Order code	Part no.
PRK 2/42	50112136
PRK 2/42, 150-S8	50112137
PRK 2/42, 150-S12	50112138
PRK 2/42D	50112139
PRK 2/42D, 150-S8	50112140
PRK 2/42D, 150-S12	50112141
PRK 2/42, 300-JST	50142332
PRK 2/42, 500-JST	50142333

