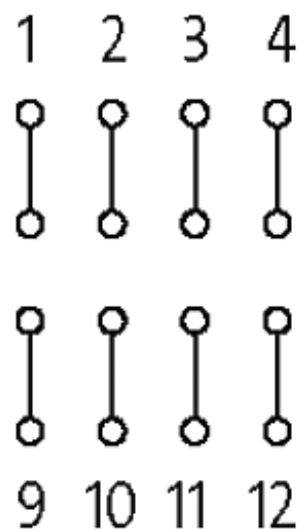


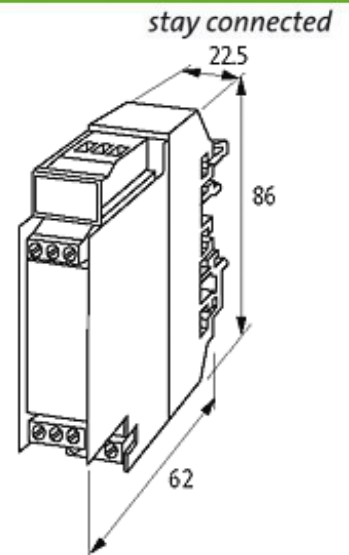
ASSEMBLY MODULE MKS - M 4

Mounting rail / screw-type terminal

4 pairs of solder pins

screw terminals connected to solder pin pairs

[Link to Product](#)**Illustration**



Product may differ from Image

Technical Data

Operating voltage	max. 250 V AC/DC
Operating current	max. 2.5 A
Distance of solder pins	30 mm

General data

Mounting method	DIN-rail mountable TH35 or G32 (EN 60715)
Connection	Screw terminals: max. 4 mm ² , pairs of solder pins (spacing 5 mm)
Housing	Plastic, flame retardant. Cover removable
Temperature range	-20...+60 °C
Dimensions H × W × D	68×22.5×65 mm

Commercial data

country of origin	CZ
customs tariff number	85369010
minimum order quantity	1