



HOUSING FOR POSITION SWITCH W. INCREASED CORROSION PROT. PLASTIC HOUSING WIDE ACC. TO EN50047, 50MM 2X(M20X1.5); W. COVER TURQUOISE AND PLUNGER

Product designation		empty enclosure EKS, EN 50047, plastic, wide, cover turquoise
---------------------	--	---

General technical data:		
Degree of pollution		class 3
Shock resistance		30g / 11 ms
Vibration resistance		0.35 mm / 5g
Material of the enclosure of the switch head		plastic
Protection class IP		IP66/IP67
Equipment marking		U
<ul style="list-style-type: none"> <li>• acc. to DIN EN 61346-2</li> <li>• acc. to DIN EN 81346-2</li> </ul>		U
Repeat accuracy	mm	0.05
Explosion protection category for dust		none
Explosion protection category for gas		none
Minimum actuating force in activation direction	N	20

Enclosure:		
Design of the housing		block, wide
Material of the enclosure		plastic
Coating of the enclosure		Other types
Design of the housing acc. to standard		No

Drive Head:		
Design of the operating mechanism		teflon plunger
Standard-compliant actuator head		EN 50047, design B
Shape of the switch head		rounded

<b>Design of the switching function</b>	Positive opening with appropriate positive opening actuator head and switching element
---	--

**Connections/ Terminals:**

<b>Type of connectable conductor cross-section</b>	
<ul style="list-style-type: none"> <li>• solid</li> <li>• finely stranded with core end processing</li> <li>• finely stranded without core end processing</li> <li>• for AWG conductors <ul style="list-style-type: none"> <li>— solid</li> <li>— stranded</li> </ul> </li> </ul>	<p>1x (0.5 ... 1.5 mm<sup>2</sup>), 2x (0.5 ... 0.75 mm<sup>2</sup>)</p> <p>1x (0.5 ... 1.5 mm<sup>2</sup>), 2x (0.5 ... 0.75 mm<sup>2</sup>)</p> <p>1x (0.5 ... 1.5 mm<sup>2</sup>), 2x (0.5 ... 0.75 mm<sup>2</sup>)</p> <p>1x (20 ... 16), 2x (20 ... 18)</p> <p>1x (20 ... 16), 2x (20 ... 18)</p>

**Mechanical data:**

<b>Cable entry type</b>	2 x (M20 x 1.5)
-------------------------	-----------------

**Communication/ Protocol:**

<b>Design of the interface</b>	without
--------------------------------	---------

**Ambient conditions:**

<b>Ambient temperature</b>		
<ul style="list-style-type: none"> <li>• during operation</li> <li>• during storage</li> </ul>	°C	-25 ... +85
	°C	-40 ... +90

**Installation/ mounting/ dimensions:**

<b>mounting position</b>	any
<b>Mounting type</b>	screw fixing

**Certificates/ approvals:**

General Product Approval		Declaration of Conformity	Test Certificates
			
CCC	CSA	UL	EG-Konf.
			
			<a href="#">Special Test Certificate</a>

**other**

[Confirmation](#)

**Further information**

**Information- and Downloadcenter (Catalogs, Brochures,...)**

<http://www.siemens.com/industrial-controls/catalogs>

**Industry Mall (Online ordering system)**

<http://www.siemens.com/industrymall>

**Cax online generator**

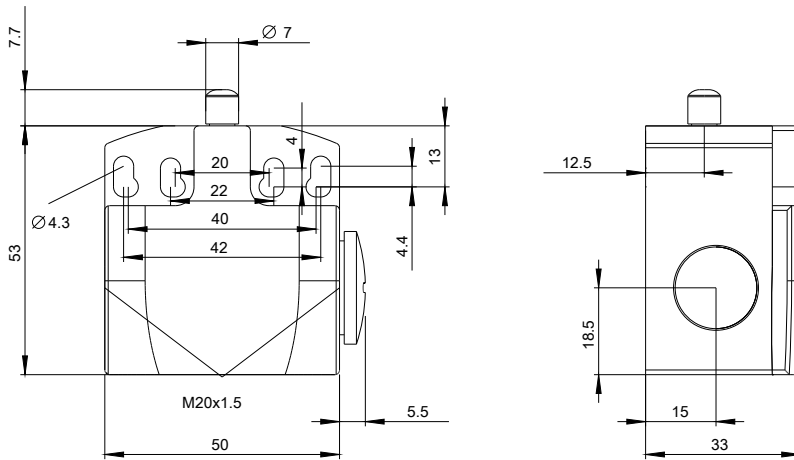
<http://support.automation.siemens.com/WW/CAXorder/default.aspx?lang=en&mlfb=3SE52420AC051CA0>

**Service&Support (Manuals, Certificates, Characteristics, FAQs,...)**

<http://support.automation.siemens.com/WW/view/en/3SE52420AC051CA0/all>

**Image database (product images, 2D dimension drawings, 3D models, device circuit diagrams, EPLAN macros, ...)**

[http://www.automation.siemens.com/bilddb/cax\\_de.aspx?mlfb=3SE52420AC051CA0&lang=en](http://www.automation.siemens.com/bilddb/cax_de.aspx?mlfb=3SE52420AC051CA0&lang=en)



last modified:

09.03.2015