



SUPPLEMENTARY HANDLE FOR DOOR MOUNTED  
 ROTARY OPERATOR STANDARD ACCESSORY FOR  
 3VA2 250/400/630

Model		
product brand name		SENTRON
Design of handle		Gray
Protection class IP		IP20

Product details		
Product component / axis extension		No
Product property / lockable		No

Accessories		
accessories		Additional handle for door-coupling rotary operating mechanism
Height	mm	70
Depth	mm	36

General Product Approval	EMC	Declaration of Conformity	other
	<a href="#">other</a>		<a href="#">other</a>



[other](#)



EG-Konf.

[other](#)

## Further information

Information- and Downloadcenter (Catalogs, Brochures,...)

<http://www.siemens.com/lowvoltage/catalogs>

Industry Mall (Online ordering system)

<https://eb.automation.siemens.com/mall/en/WW/Catalog/Product/3VA94870GC01>

**Service&Support (Manuals, Certificates, Characteristics, FAQs,...)**

<http://support.automation.siemens.com/WW/view/en/3VA94870GC01/all>

**Image database (product images, 2D dimension drawings, 3D models, device circuit diagrams, ...)**

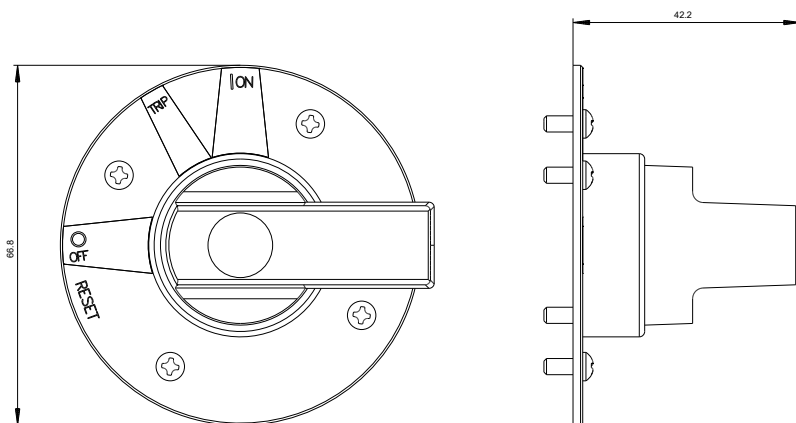
[http://www.automation.siemens.com/bilddb/cax\\_en.aspx?mlfb=3VA94870GC01](http://www.automation.siemens.com/bilddb/cax_en.aspx?mlfb=3VA94870GC01)

**CAX-Online-Generator**

<http://www.siemens.com/cax>

**Tender specifications**

<http://ausschreibungstexte.siemens.com/tiplv>



**last modified:**

16.03.2015