



SILIZED FUSE LINK 500V F.SEMICONDUCTOR PROTECTION EXTRA FAST, SIZE DIVH P.T.1 1/4 INCH., 80A

Figure similar

Model		
product brand name		SENTRON
Product designation		DIAZED fuse
<b>Design of the product</b>		for semiconductor protection
<b>Design of the fuse link</b>		SILIZED fuse link, DIAZED design
General technical data		
<b>Tripping characteristic class</b>		quick-acting (FE)
<b>Size of fuse system / acc. to DIN EN 60269-1</b>		DIV
<b>Operating class of the fuse link</b>		gR
<b>circuit-breaker / Design</b>		5SD5
Protection class		
<b>Protection class IP</b>		IP20, with connected conductors
Switching capacity		
<b>Switching capacity current</b>		
<ul style="list-style-type: none"> <li>for DC / acc. to IEC 60947-2 / Rated value</li> </ul>	kA	8
<ul style="list-style-type: none"> <li>acc. to IEC 60947-2 / Rated value</li> </ul>	kA	50
Dissipation		
<b>Active power loss</b>		
<ul style="list-style-type: none"> <li>for rated value of the current / with AC / in hot operating state / per pole</li> </ul>	W	34.3
Electricity		
Current / with AC / Rated value	A	80
Appearance		

Color coding of the fuse link		others
-------------------------------	--	--------

### Product details

Product description		Using screw adapter or adapter sleeves
---------------------	--	--

### Mechanical Design

mounting position		Any, preferably vertical
-------------------	--	--------------------------

### Environmental conditions

<b>Ambient temperature</b>		
• minimum	°C	-5
• maximum	°C	40
• during storage / Note		Air humidity 90% at 20 °C

<b>General Product Approval</b>	<b>Declaration of Conformity</b>	<b>Test Certificates</b>	<b>other</b>
---------------------------------	----------------------------------	--------------------------	--------------



[Type Test Certificates/Test Report](#)

[Environmental Confirmations](#)

### Further information

**Information- and Downloadcenter (Catalogs, Brochures,...)**

<http://www.siemens.com/lowvoltage/catalogs>

**Industry Mall (Online ordering system)**

<https://eb.automation.siemens.com/mall/en/WW/Catalog/Product/5SD510>

**Service&Support (Manuals, Certificates, Characteristics, FAQs,...)**

<http://support.automation.siemens.com/WW/view/en/5SD510/all>

**Image database (product images, 2D dimension drawings, 3D models, device circuit diagrams, ...)**

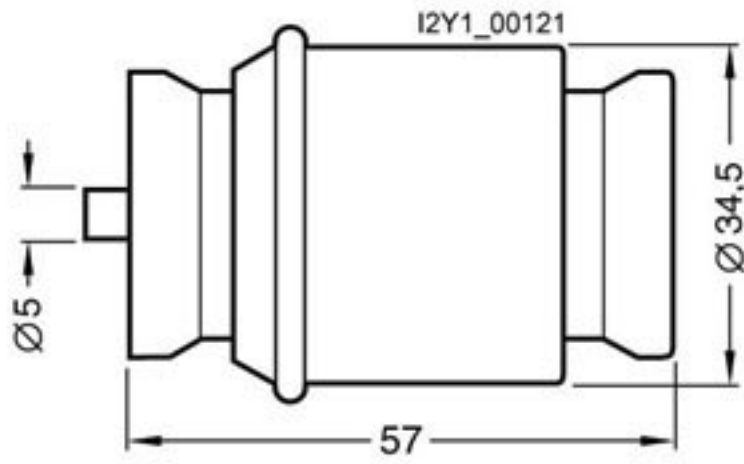
[http://www.automation.siemens.com/bilddb/cax\\_en.aspx?mlfb=5SD510](http://www.automation.siemens.com/bilddb/cax_en.aspx?mlfb=5SD510)

**CAX-Online-Generator**

<http://www.siemens.com/cax>

**Tender specifications**

<http://ausschreibungstexte.siemens.com/tiplv>



last modified:

11.03.2015