

PLEASE CHECK WWW.MOLEX.COM FOR LATEST PART INFORMATION

Part Number: **0874381043**
Status: **Active**
Overview: Pico-SPOX Wire-to-Board Connector System
Description: 1.50mm Pitch Pico-SPOX Wire-to-Board Header, Surface Mount, Right-Angle, Shrouded, Nylon, 10 Circuits, Embossed Tape on Reel, Beige

Documents:

[3D Model](#) [Packaging Specification SPK-87438-001-001 \(PDF\)](#)
[Drawing \(PDF\)](#) [RoHS Certificate of Compliance \(PDF\)](#)
[Product Specification PS-87437-001-001 \(PDF\)](#)

Agency Certification

CSA LR19980
 UL E29179

General

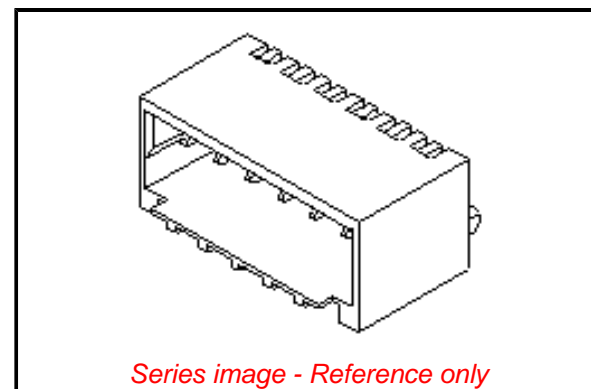
Product Family PCB Headers
 Series 87438
 Application Signal, Wire-to-Board
 Overview Pico-SPOX Wire-to-Board Connector System
 Product Name Pico-SPOX
 UPC 822348439034

Physical

Breakaway No
 Circuits (Loaded) 10
 Circuits (maximum) 10
 Color - Resin Beige
 Durability (mating cycles max) 10
 First Mate / Last Break No
 Flammability 94V-0
 Glow-Wire Capable No
 Guide to Mating Part No
 Keying to Mating Part Yes
 Lock to Mating Part Yes
 Material - Metal Brass
 Material - Plating Mating Tin over Nickel
 Material - Plating Termination Tin over Nickel
 Material - Resin High Temperature Thermoplastic
 Net Weight 0.504/g
 Number of Rows 1
 Orientation Right Angle
 PCB Locator No
 PCB Retention None
 Packaging Type Embossed Tape on Reel
 Pitch - Mating Interface 1.50mm
 Plating min - Mating 2.540µm
 Plating min - Termination 2.540µm
 Polarized to Mating Part Yes
 Polarized to PCB No
 Shrouded Fully
 Stackable No
 Temperature Range - Operating -55° to +105°C
 Termination Interface: Style Surface Mount

Electrical

Current - Maximum per Contact 2.5A



Series image - Reference only

EU ELV

Not Relevant

EU RoHS

Compliant

REACH SVHC

Not Contained Per -
 ED/61/2018 (27 June
 2018)

Halogen-Free

Status

Not Low-Halogen

For more information, please visit [Contact US](#)

China ROHS

ELV

RoHS Phthalates

China RoHS

Green Image

Not Relevant

Not Contained

Search Parts in this Series

87438 Series

Mates With

87439 Pico-SPOX Wire-to-Board Housing

Voltage - Maximum

250V

Material Info

Reference - Drawing Numbers

Packaging Specification

SPK-87438-001-001

Product Specification

PS-87437-001-001

Sales Drawing

SD-87438-001

This document was generated on 09/28/2018

PLEASE CHECK WWW.MOLEX.COM FOR LATEST PART INFORMATION