

- > Port size: DN 20 ... 80,
3/4" ... 3" (ISO G/NPT)
- > High flow rate
- > Clear, compact design
- > One-piece diaphragm
- > Easy to maintain



Technical features

Medium:

Air

Switching function:

Normally closed

Operation:

Remote pilot operated

Flow direction:

Determined

Mounting position:

Optional

Port size:

G3/4, G1, G1 1/2,

G2, G2 1/2, G3,

3/4 NPT, 1 NPT, 1 1/2 NPT,

2 NPT, 2 1/2 NPT

Operating pressure:

0,4 ... 7/8 bar (5,8 ... 101,5 psi)

Pilot connection:

G1/8 or 1/8 NPT

Dusty gas temperature:

-20° ... +85°C (-4° ... +185°F)

Coil gas temperature:

-40° ... +85°C (-40° ... +185°F)

Ambient temperature:

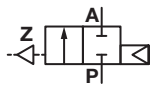
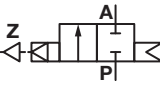
-20° ... +85°C (-4° ... +185°F)

Material:

Body: Aluminium

Seat seal: TPE

Technical data - standard models

Symbol	Port size	Orifice (mm)	Valve length (mm)	Flow kv value *1) (m³/h)	Operating pressure (bar)	Weight (kg)	Model
	G3/4	20	95	18	0,4 ... 8	0,32	8290300.0000.00000
	3/4 NPT	20	95	18	0,4 ... 8	0,32	8291300.0000.00000
	G1	25	95	22	0,4 ... 8	0,29	8290400.0000.00000
	1 NPT	25	95	22	0,4 ... 8	0,29	8291400.0000.00000
	G1 1/2	40	135	59	0,4 ... 8	0,97	8290600.0000.00000
	1 1/2 NPT	40	135	59	0,4 ... 8	0,97	8291600.0000.00000
	G2	50	170	80	0,4 ... 8	1,79	8290700.0000.00000
	2 NPT	50	170	80	0,4 ... 8	1,79	8291700.0000.00000
	G2 1/2	65	170	93	0,4 ... 8	2,07	8290800.0000.00000
	2 1/2 NPT	65	170	93	0,4 ... 8	2,07	8291800.0000.00000
	G3	80	239,5	144	0,4 ... 7	3,7	8290900.0000.00000

*1) Cv-value (US) ≈ kv value x 1,2

Option selector

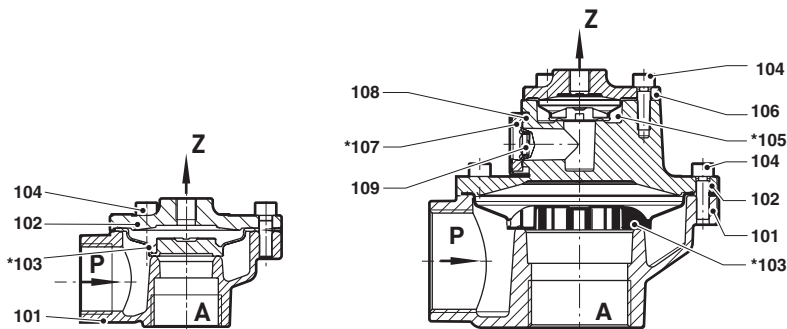
829★★★★.0000.00000

Thread form	Substitute
ISO G	0
NPT	1
Port size	Substitute
3/4"	3
1"	4
1 1/2"	6
2"	7
2 1/2"	8
3" (only ISO G)	9

Valve options	Substitute
The resource materials and surfaces are free of silicone	33
Flange version without valve body	54
Dusty gas temperature version -20 ... +100°C, Seat seal TPE, Ambient temperature -40 ... +85°C (-40 ... +185°F), Coil gas temperature -20 ... +85°C (-4 ... +185°F)	62
Dusty gas temperature version -20 ... +140°C, Seat seal TPE, Ambient temperature -40 ... +85°C (-40 ... +185°F), Coil gas temperature -20 ... +85°C (-4 ... +185°F)	63
WEMA-Kor coated	66
Low pressure, 0,1 ... 0,9 bar; Reduced bleed orifice diameter	68
Low temperature version only for solenoid 8xxx/9150, -45 ... +140°C Seat seal TPE, Ambient temperature -40 ... +85°C (-40 ... +185°F), Coil gas temperature -20 ... +85°C (-4 ... +185°F)	72

Section View

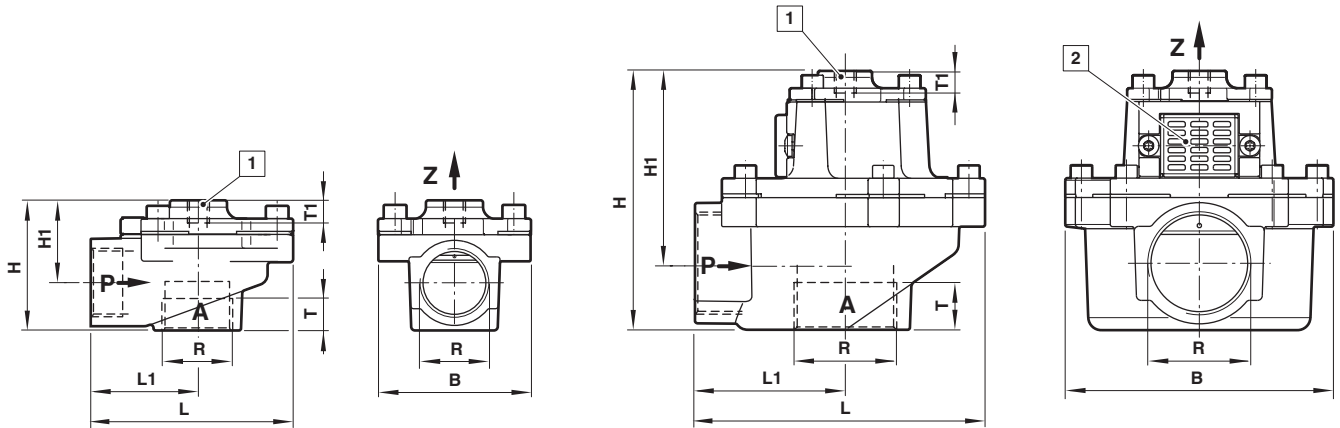
G3/4 ... 1
1 1/2 ... 2 1/2 NPT



No.	Description
101	Valve body
102	Valve cover
*103	Diaphragm
104	Socket head cap screw
*105	Diaphragm
106	Valve cover
*107	Silencer
108	Silencer housing
109	Socket head cap screw

* These individual parts form a complete wearing unit.
When ordering spare parts please state Cat. No. and Series No.

Dimensions
G3/4 ... 1
3/4 ... 1 NPT
G1 1/2 ... 3
1 1/2 ... 2 1/2 NPT

 Dimensions in mm
 Projection/First angle


- 1** Pilot connection G1/8 resp. 1/8 NPT
- 2** Silencer

Port size R	B	H	H1	L	L1	T	T1	Model
G3/4	80	61,5	39	95	50	16	10	8290300.0000.00000
3/4 NPT	80	61,5	39	95	50	14	10	8291300.0000.00000
G1	80	61,5	39	95	50	18	10	8290400.0000.00000
1 NPT	80	61,5	39	95	50	17	10	8291400.0000.00000
G1 1/2	124,5	122	91	135	70	22	10	8290600.0000.00000
1 1/2 NPT	124,5	122	91	135	70	18	10	8291600.0000.00000
G2	140	145	104	170	95	25	10	8290700.0000.00000
2 NPT	140	145	104	170	95	18	10	8291700.0000.00000
G2 1/2	140	160	115	170	95	25	10	8290800.0000.00000
2 1/2 NPT	140	160	115	170	95	24	10	8291800.0000.00000
G3	196	176	123,5	239,5	143	33	10	8290900.0000.00000

Note to Pressure Equipment Directive (PED):

The valves of this series are according to Art. 3 § 3 of the Pressure Equipment Directive (PED) 97/23/EG. This means interpretation and production are in accordance to engineers practice wellknown in the member countries.

A certificate of conformity is not designated.