

SAI-Y-4S-M12/M12**Weidmüller Interface GmbH & Co. KG**

Klingenbergstraße 16

D-32758 Detmold

Germany

Fon: +49 5231 14-0

Fax: +49 5231 14-292083

www.weidmueller.com



Individual cable lengths are often required nowadays. In order to meet these demands, Weidmüller offers a wide range of plug-in connectors for custom assembly. Y-distributors are used to bundle and distribute multiple signals to save space.

General ordering data

Type	SAI-Y-4S-M12/M12
Order No.	1060730000
Version	Y-plug, M12 / M12
GTIN (EAN)	4032248810192
Qty.	1 pc(s).

SAI-Y-4S-M12/M12**Weidmüller Interface GmbH & Co. KG**

Klingenbergstraße 16

D-32758 Detmold

Germany

Fon: +49 5231 14-0

Fax: +49 5231 14-292083

www.weidmueller.com

Technical data**Dimensions and weights**

Net weight 23 g

Connection data

Group outlet - plug-in connector	M12 pin	Single outlet 1 - plug-in connector	M12 socket
Single outlet 2 - plug-in connector	M12 socket	Tightening torque	M12: 0.8 - 1.2 Nm

General data

Coding	A	Conductor O.D.	-
Contact material, pin	CuZn	Contact material, socket	CuSn
Contact surface	Au (Gold)	Housing main material	PBT
Pollution severity	3	Protection degree	IP67
Rated current	4 A	Rated voltage	24 V
Shield connection	No	Temperature range of housing	-25...+90 °C
connection thread	M12 / M12		

Classifications

ETIM 3.0	EC002062	ETIM 4.0	EC002635
ETIM 5.0	EC002635	ETIM 6.0	EC002925
eClass 5.1	27-26-07-01	eClass 6.2	27-26-07-02
eClass 7.1	27-44-01-02	eClass 8.1	27-44-01-02
eClass 9.0	27-44-01-02	eClass 9.1	27-44-01-06

Approvals

Approvals



ROHS Conform

Downloads

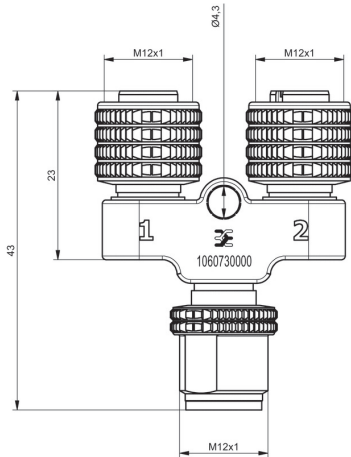
Brochure/Catalogue [CAT 8 SAI 15/16 EN](#)
[FL FIELDWIRING EN](#)

SAI-Y-4S-M12/M12

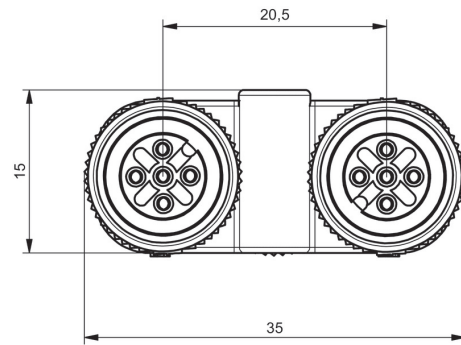
Weidmüller Interface GmbH & Co. KG
 Klingenbergstraße 16
 D-32758 Detmold
 Germany
 Fon: +49 5231 14-0
 Fax: +49 5231 14-292083
 www.weidmueller.com

Drawings

Dimensioned drawing



Dimensioned drawing



Wiring diagram

1. Female M12 2. Female M12

