

2367819-1 ✓ ACTIVE

[Dynamic Series](#) | [Dynamic 1000 Series](#)

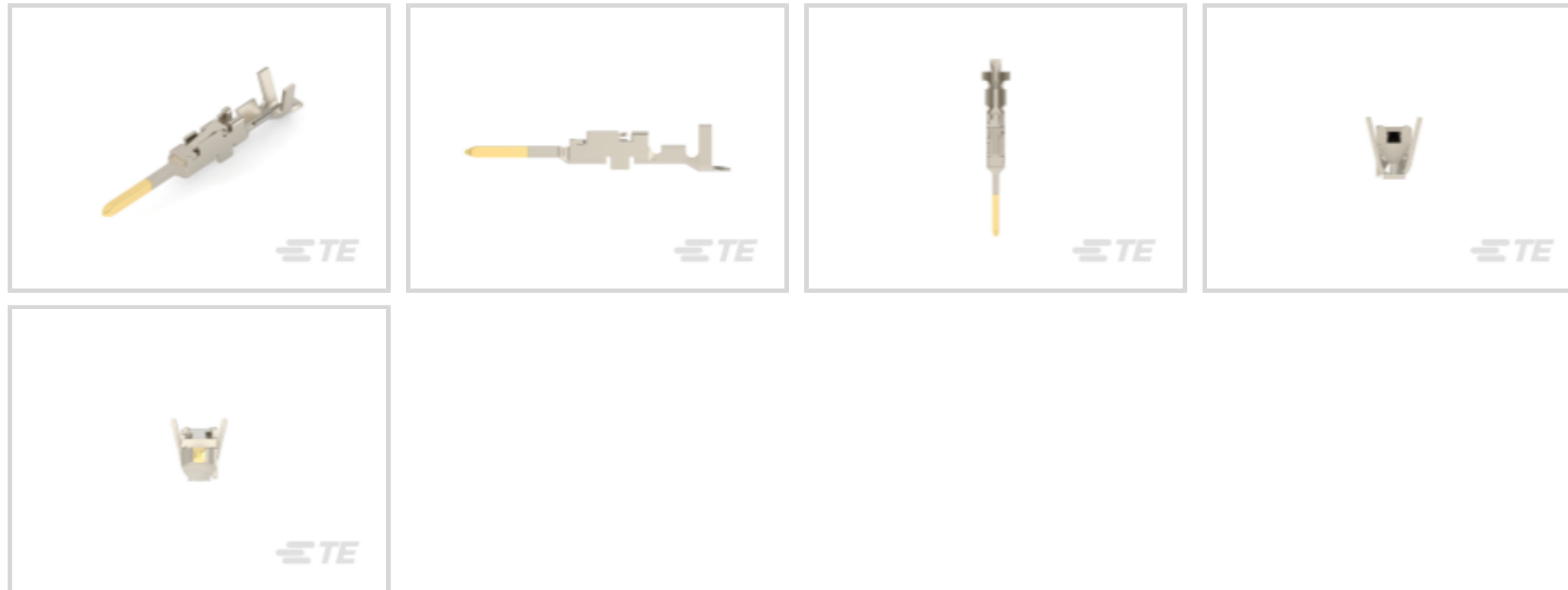
TE Internal #: 2367819-1

Dynamic 1000 Series, Connector Contact, Tab, Wire-to-Board, 12
Position, 2mm [.079in] Centerline, 30 – 28AWG Wire Size, .05 – .
1mm² Wire Size

[View on TE.com >](#)



[Connectors](#) > [PCB Connectors](#) > [Wire-to-Board Connectors](#) > [Wire-to-Board Connector Contacts](#)



Contact Type: **Tab**

Connector System: **Wire-to-Board**

Number of Positions: **12**

Centerline (Pitch): **2 mm [.079 in]**

Wire Size: **30 – 28 AWG**

Features

Product Type Features

Connector System	Wire-to-Board
Sealable	No
Connector & Contact Terminates To	Wire & Cable

Configuration Features

Number of Positions	12
---------------------	----

Contact Features

Contact Type	Tab
Contact Mating Area Plating Material	Gold (Au)
Contact Current Rating (Max)	8.6 A

Mechanical Attachment

Connector Mounting Type	Cable Mount (Free-Hanging)
-------------------------	----------------------------

Housing Features

Centerline (Pitch)	2 mm [.079 in]
--------------------	----------------



Dimensions

Wire Size	.05 – .1 mm ²
-----------	--------------------------

Usage Conditions

Operating Temperature Range	-55 – 125 °C[-67 – 257 °F]
-----------------------------	----------------------------

Operation/Application

Circuit Application	Power & Signal
---------------------	----------------

Packaging Features

Packaging Method	Reel & Box
------------------	------------

Product Compliance

[For compliance documentation, visit the product page on TE.com>](#)

EU RoHS Directive 2011/65/EU	Compliant
EU ELV Directive 2000/53/EC	Compliant
China RoHS 2 Directive MIIT Order No 32, 2016	No Restricted Materials Above Threshold
EU REACH Regulation (EC) No. 1907/2006	Current ECHA Candidate List: JAN 2021 (211) Candidate List Declared Against: JAN 2021 (211) Does not contain REACH SVHC
Halogen Content	Low Halogen - Br, Cl, F, I < 900 ppm per homogenous material. Also BFR/CFR/PVC Free
Solder Process Capability	Not reviewed for solder process capability

Product Compliance Disclaimer

This information is provided based on reasonable inquiry of our suppliers and represents our current actual knowledge based on the information they provided. This information is subject to change. The part numbers that TE has identified as EU RoHS compliant have a maximum concentration of 0.1% by weight in homogenous materials for lead, hexavalent chromium, mercury, PBB, PBDE, DBP, BBP, DEHP, DIBP, and 0.01% for cadmium, or qualify for an exemption to these limits as defined in the Annexes of Directive 2011/65/EU (RoHS2). Finished electrical and electronic equipment products will be CE marked as required by Directive 2011/65/EU. Components may not be CE marked. Additionally, the part numbers that TE has identified as EU ELV compliant have a maximum concentration of 0.1% by weight in homogenous materials for lead, hexavalent chromium, and mercury, and 0.01% for cadmium, or qualify for an exemption to these limits as defined in the Annexes of Directive 2000/53/EC (ELV). Regarding the REACH Regulation, the information TE provides on SVHC in articles for this part number is based on the latest European Chemicals Agency (ECHA) 'Guidance on requirements for substances in articles' posted at this URL: <https://echa.europa.eu/guidance-documents/guidance-on-reach>

Compatible Parts




TE Part # 1-2366600-4
DYNAMIC D1000 SLIM TAB HSG 4P X KEY



TE Part # 1-2366600-6
DYNAMIC D1000 SLIM TAB HSG 6P X KEY



TE Part # 1-2366600-8
DYNAMIC D1000 SLIM TAB HSG 8P X KEY



TE Part # 2-2366600-4
DYNAMIC D1000 SLIM TAB HSG 4P Y KEY



TE Part # 2-2366600-6
DYNAMIC D1000 SLIM TAB HSG 6P Y KEY



TE Part # 2-2366600-8
DYNAMIC D1000 SLIM TAB HSG 8P Y KEY




TE Part # 3-2366600-2
DYNAMIC D1000 SLIM TAB HSG 12P X KEY




TE Part # 4-2366600-2
DYNAMIC D1000 SLIM TAB HSG 12P Y KEY

Also in the Series | **Dynamic 1000 Series**



Connector Contacts(1)




Insertion & Extraction Tools(2)




PCB Connector Keying(1)




PCB Connector Mounting(2)




Rectangular Connector Housings(2)



Standard Rectangular Connectors(1)



Wire-to-Board Connector Assemblies & Housings(165)

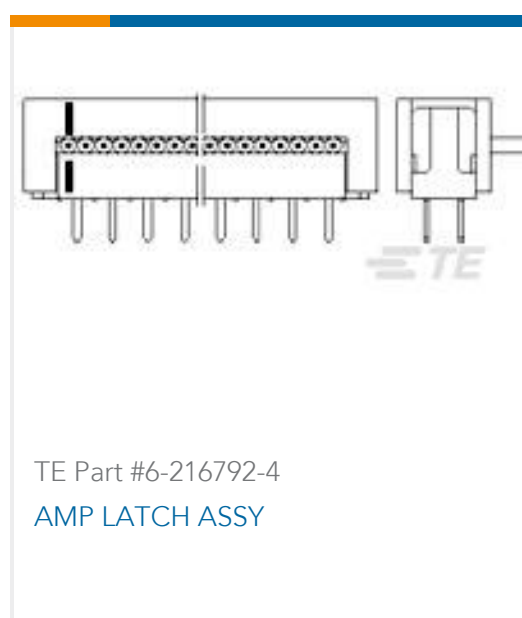
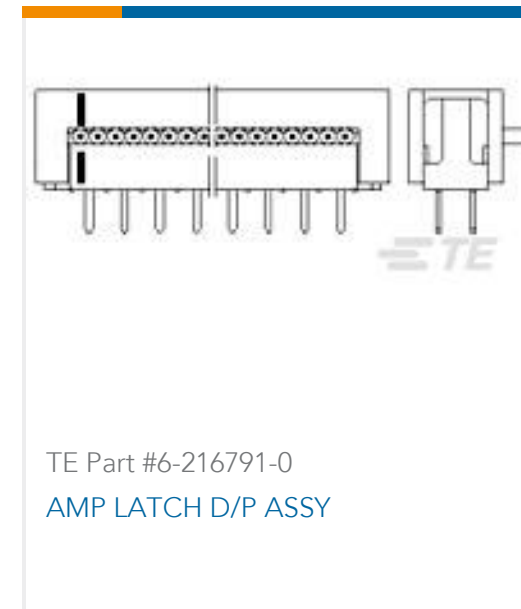
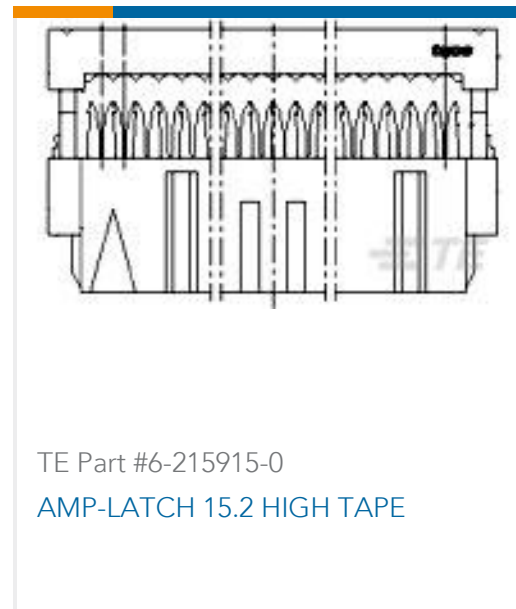
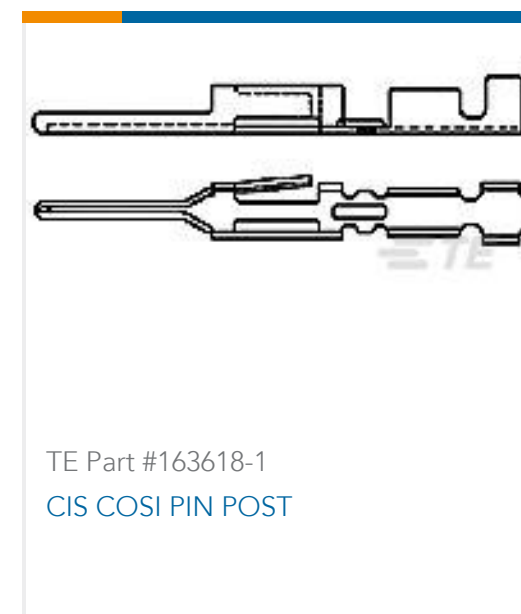
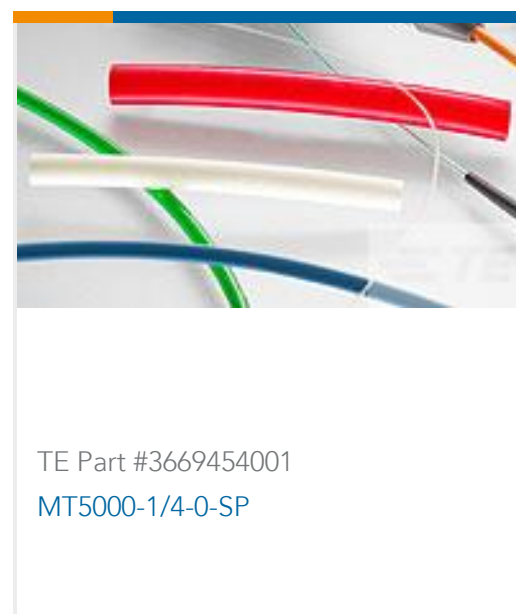


Wire-to-Board Connector Contacts(37)



Wire-to-Board Headers & Receptacles (162)

Customers Also Bought



Documents

Product Drawings

[DYNAMIC D1000SL TAB CONT S AU0.2 PLATING](#)

English

CAD Files

[3D PDF](#)

3D

Customer View Model

[ENG_CVM_CVM_2367819-1_1.2d_dxf.zip](#)

English

Customer View Model

[ENG_CVM_CVM_2367819-1_1.3d_igs.zip](#)

English

Customer View Model

[ENG_CVM_CVM_2367819-1_1.3d_stp.zip](#)

English

By downloading the CAD file I accept and agree to the [Terms and Conditions](#) of use.

Datasheets & Catalog Pages



DYNAMIC D1000 SLIM WIRE-TO-WIRE CONNECTOR

English

Product Specifications

Application Specification

English

Product Environmental Compliance

Product Compliance

English

Product Compliance

English