

3 Pin XLR Female to 2x Phono (RCA) Stereo Male Lead



Description

Y adapter audio lead with a 3pin XLR female to 2x unbalanced L/R stereo Phono male connectors



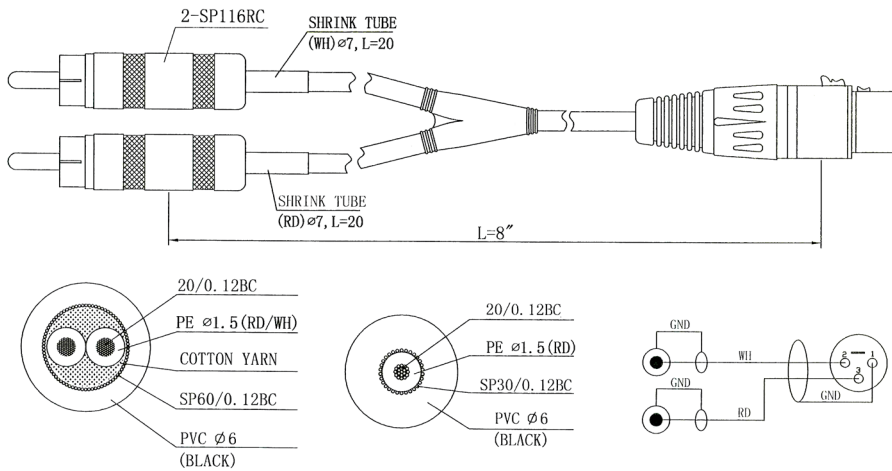
Features

- Metal XLR female connector with moulded strain relief
- All metal phono plug connectors with nickel plated contacts
- PVC insulated, shielded cables
- Colour coded phono cables

Specifications

Connector Type A : XLR Socket, 3 Way
 Connector Type B : Phono (RCA) Plug, x 2
 Cable Length : 250mm
 Jacket Colour : Black

Diagram



Part Number Table

Description	Part Number
3 Pin XLR Female to 2x Phono (RCA) Stereo Male Lead, Black, 250mm	PLS00208

Dimensions : Millimetres

Important Notice : This data sheet and its contents (the "Information") belong to the members of the AVNET group of companies (the "Group") or are licensed to it. No licence is granted for the use of it other than for information purposes in connection with the products to which it relates. No licence of any intellectual property rights is granted. The Information is subject to change without notice and replaces all data sheets previously supplied. The Information supplied is believed to be accurate but the Group assumes no responsibility for its accuracy or completeness, any error in or omission from it or for any use made of it. Users of this data sheet should check for themselves the Information and the suitability of the products for their purpose and not make any assumptions based on information included or omitted. Liability for loss or damage resulting from any reliance on the Information or use of it (including liability resulting from negligence or where the Group was aware of the possibility of such loss or damage arising) is excluded. This will not operate to limit or restrict the Group's liability for death or personal injury resulting from its negligence. PULSE is the registered trademark of Premier Farnell Limited 2019.

Newark.com/b/Pulse
 Farnell.com/b/Pulse
 sg.element14.com/b/pulse

