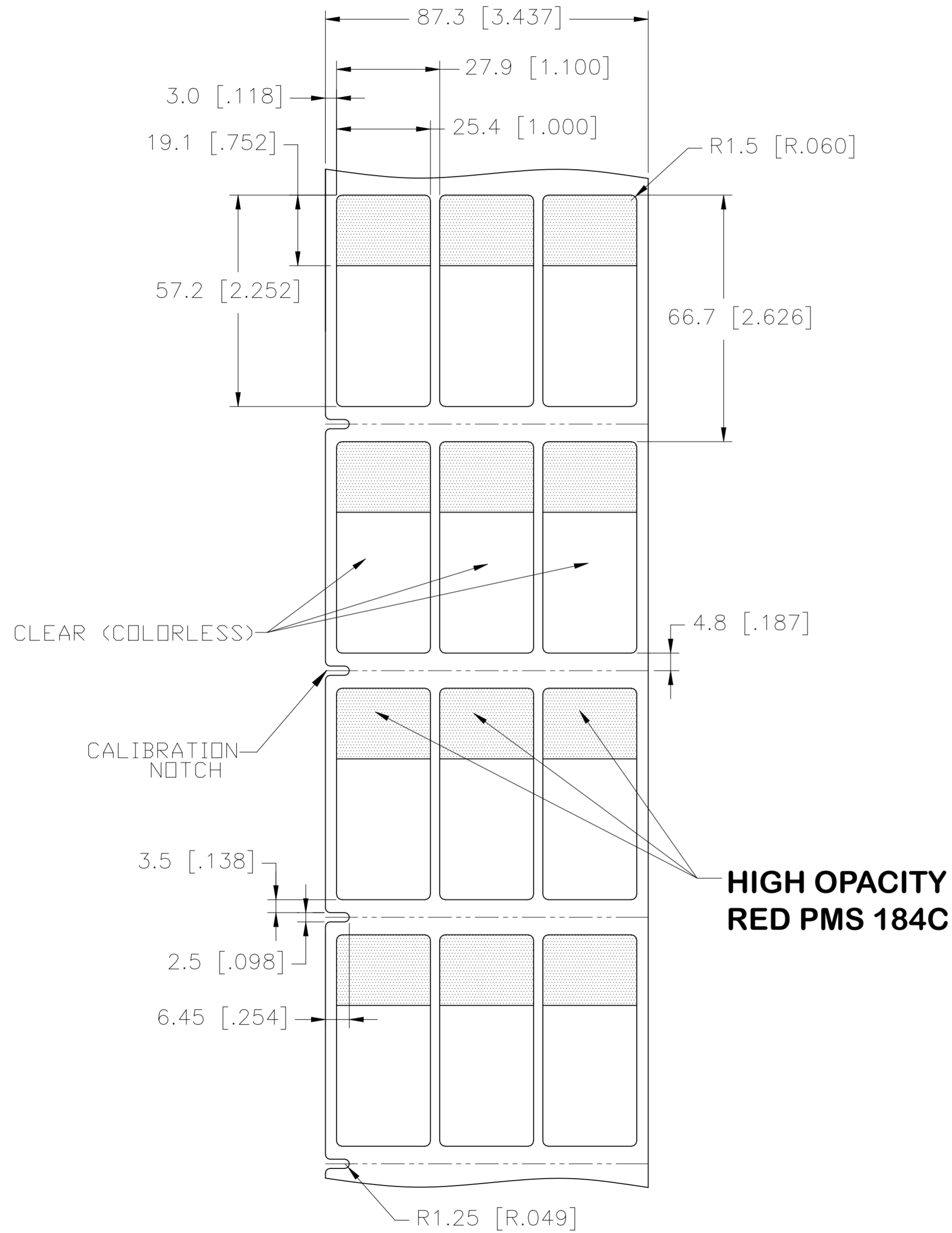
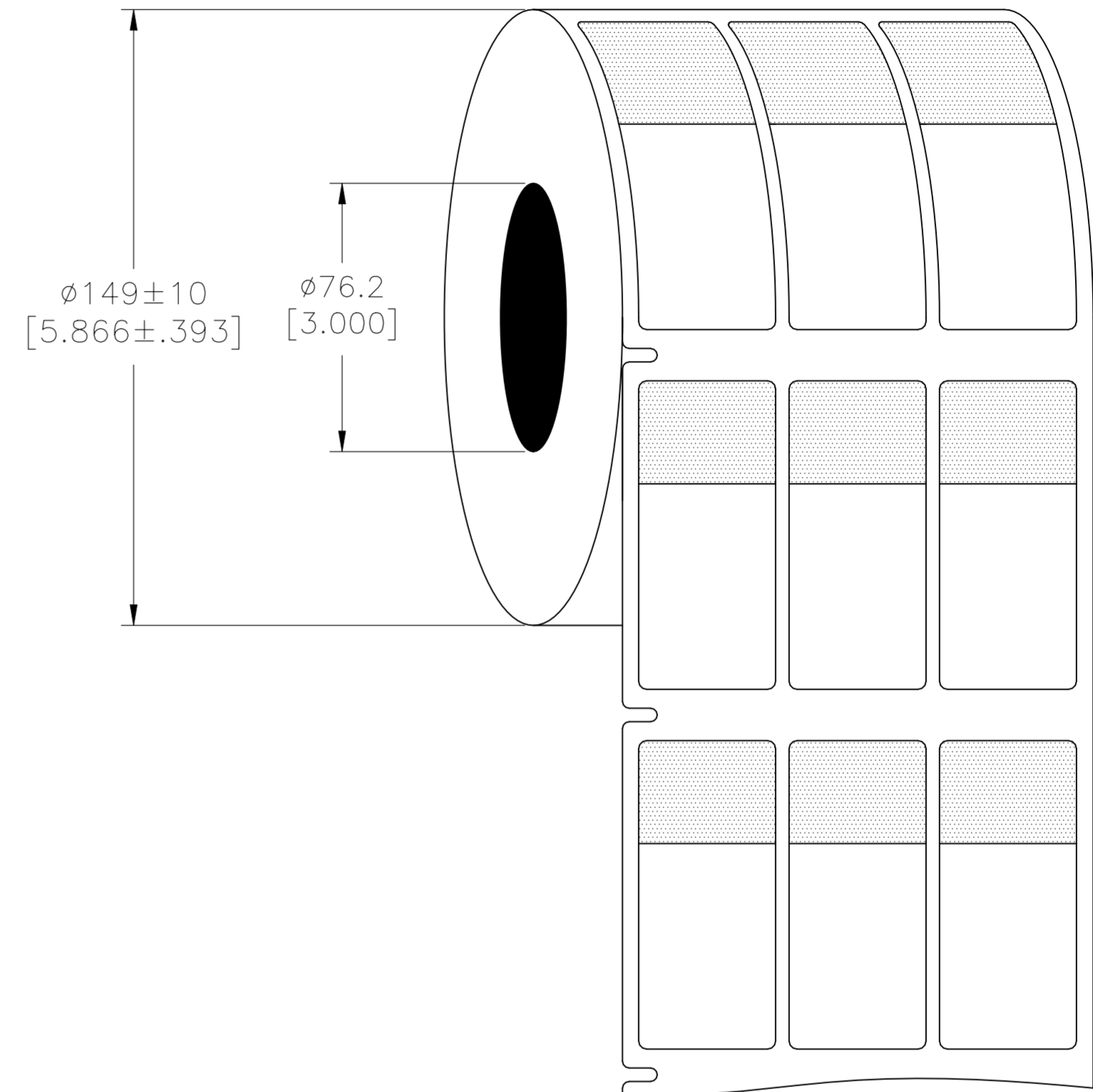


REVISIONS					
P	LTR	DESCRIPTION	DATE	DWN	APVD
A		INITIAL RELEASE	02JUL2022	GK	DB

LABEL AND LINER DESIGN



PRESENTATION



PRINT COLOR CONFORMS TO LABELING STANDARD TIA-606

OUTSIDE WOUND LABEL ACROSS: 3 PER ROLL QTY: 3000

All dimensions in mm [Inch]
TE PN: 1SET530110R0000

TOLERANCES mm [INCH]	THIS DRAWING IS A CONTROLLED DOCUMENT.	
LABEL HEIGHT: ± 0.3 [.012]	DIMENSIONS: mm [INCHES]	TOLERANCES UNLESS OTHERWISE SPECIFIED:
LABEL WIDTH: ± 0.3 [.012]		0 PLC \pm
WEB WIDTH: ± 0.8 [.031]		1 PLC \pm
VERTICAL REPEAT: ± 0.8 [.031]*		2 PLC \pm
HORIZONTAL REPEAT: ± 0.8 [.031]*		3 PLC \pm
PRINT POSITIONING: ± 0.8 [.031]*		4 PLC \pm
LEFT MARGIN: ± 0.4 [.016]		ANGLES \pm
QUANTITY: -0% +2%	MATERIAL: SEE TABLE	FINISH: -
*NON ACCUMULATING		

MATERIAL	CLEAR VINYL
ADHESIVE TYPE	ACRYLIC PERMANENT
LINEAR	WHITE KRAFT
DWN: GOPALAKRISHNA HV	TE Connectivity
CHK: D.BURGAT	SBP EWS LABEL - RED
APVD: D.BURGAT	25.4 x 57.2mm [1.00 x 2.25inch]
PRODUCT SPEC: TTDS-283	
APPLICATION SPEC: -	
WEIGHT: 0.202g	SIZE: A2
CUSTOMER DRAWING	CAGE CODE: FB1U7
	DRAWING NO: SBPE12-1925-RD-3
	RESTRICTED TO: -
	SCALE: NTS
	SHEET: 1 of 1
	REV: A