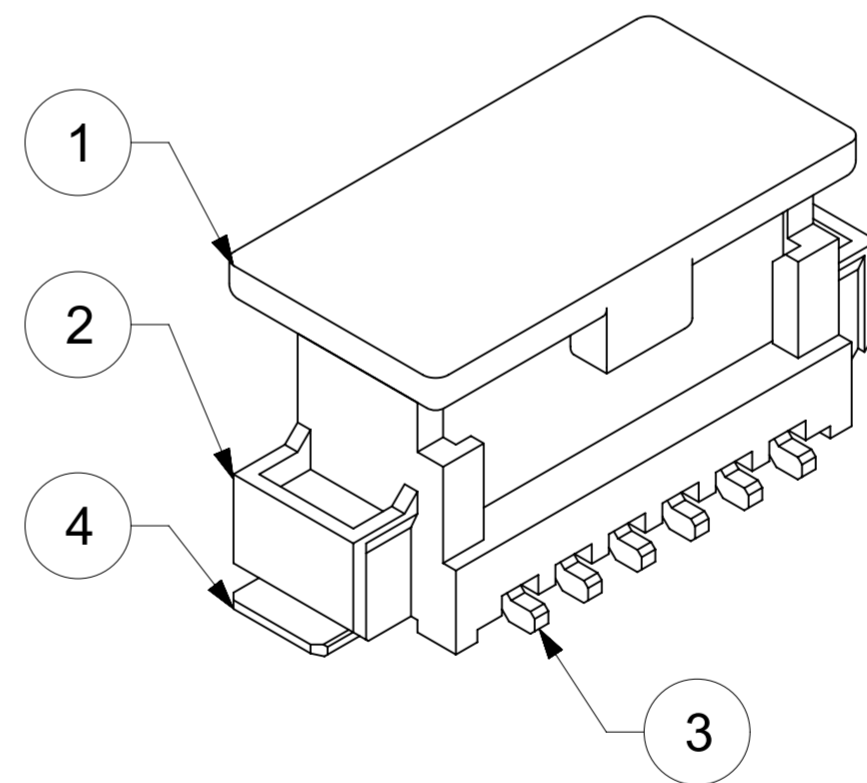
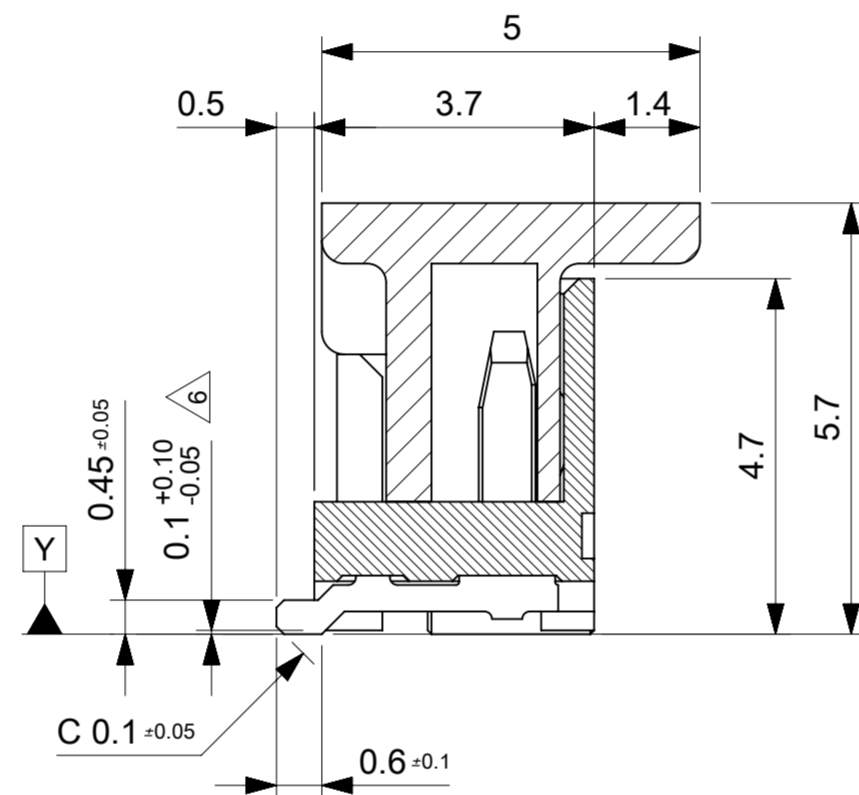
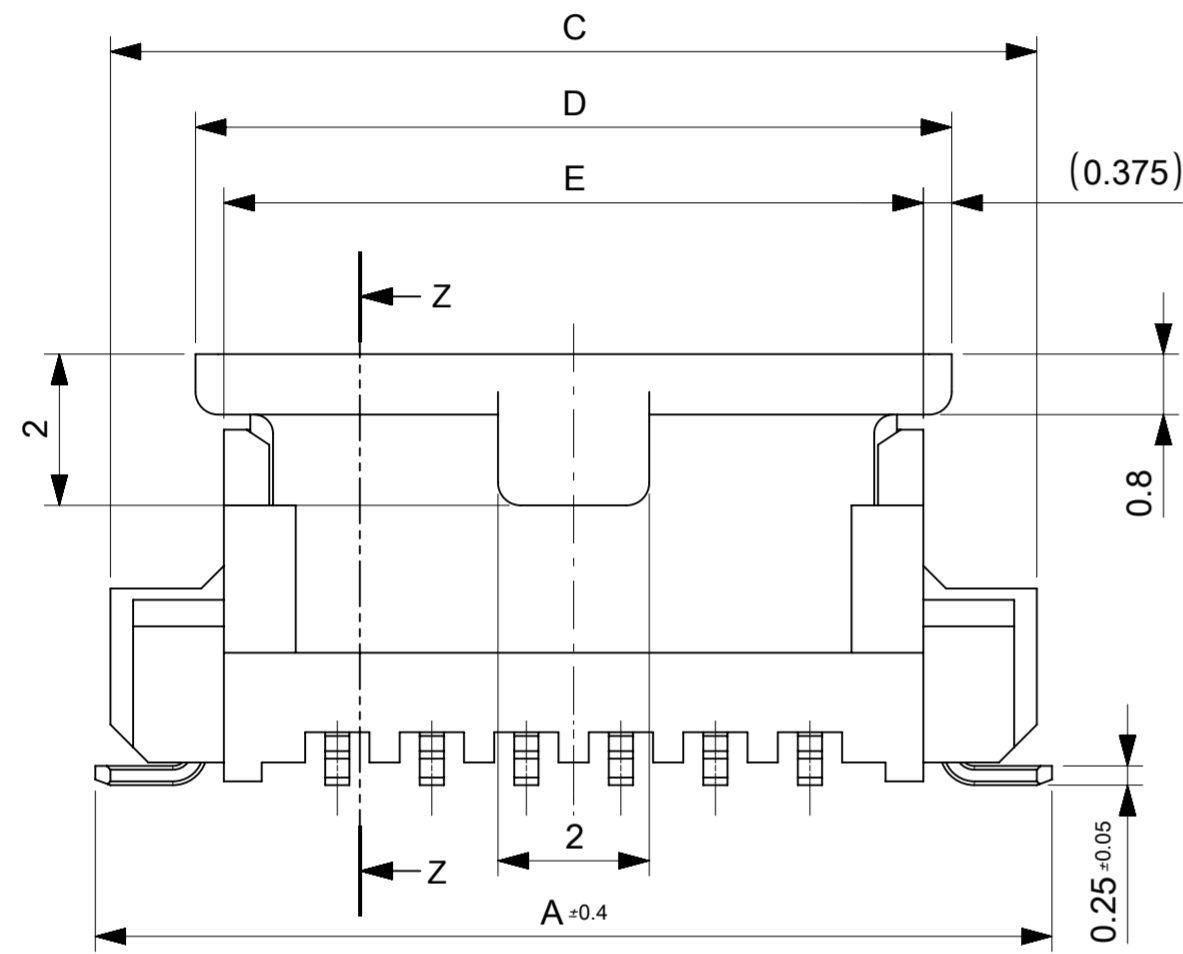


NOTES

- ① 材料および仕上げ (めっき仕様) : TABLE 1参照  
MATERIAL AND FINISHES : SEE TABLE 1
- 2. 製品仕様書 : PS-51021-025  
PRODUCT SPECIFICATION : PS-51021-025
- 3. 梱包形態 : SHEET 3 参照  
PACKAGING INFORMATION : SEE SHEET 3
- 4. アプリケーション仕様書 (取扱説明書) : 510210000-AS  
APPLICATION SPECIFICATION : 510210000-AS
- ⑤ 嵌合相手 : 51021 シリーズ  
MATE WITH : 51021 SERIES
- ⑥ 水平面上におけるハウジング底面 Y とソルダーテール及びネイル底面とのズレ量を示す。  
MISALIGNMENT OF SOLDER TAIL AND NAIL FROM Y
- 7. 端子テール部およびネイルの平坦度は0.1以下  
COPLANARITY OF TAIL AND NAIL TO BE 0.1 MAX.



18.6	19.3	20.5	21.25	23.5	17.5	23.9	15
17.35	18.05	19.25	20	22.25	16.25	22.65	14
16.1	16.8	18	18.75	21	15	21.4	13
14.85	15.55	16.75	17.5	19.75	13.75	20.15	12
13.6	14.3	15.5	16.25	18.5	12.5	18.9	11
12.35	13.05	14.25	15	17.25	11.25	17.65	10
11.1	11.8	13	13.75	16	10	16.4	9
9.85	10.55	11.75	12.5	14.75	8.75	15.15	8
8.6	9.3	10.5	11.25	13.5	7.5	13.9	7
7.35	8.05	9.25	10	12.25	6.25	12.65	6
6.1	6.8	8	8.75	11	5	11.4	5
4.85	5.55	6.75	7.5	9.75	3.75	10.15	4
3.6	4.3	5.5	6.25	8.5	2.5	8.9	3
2.35	3.05	4.25	5	7.25	1.25	7.65	2
G	F	E	D	C	B	A	極数 CIRCUIT SIZE

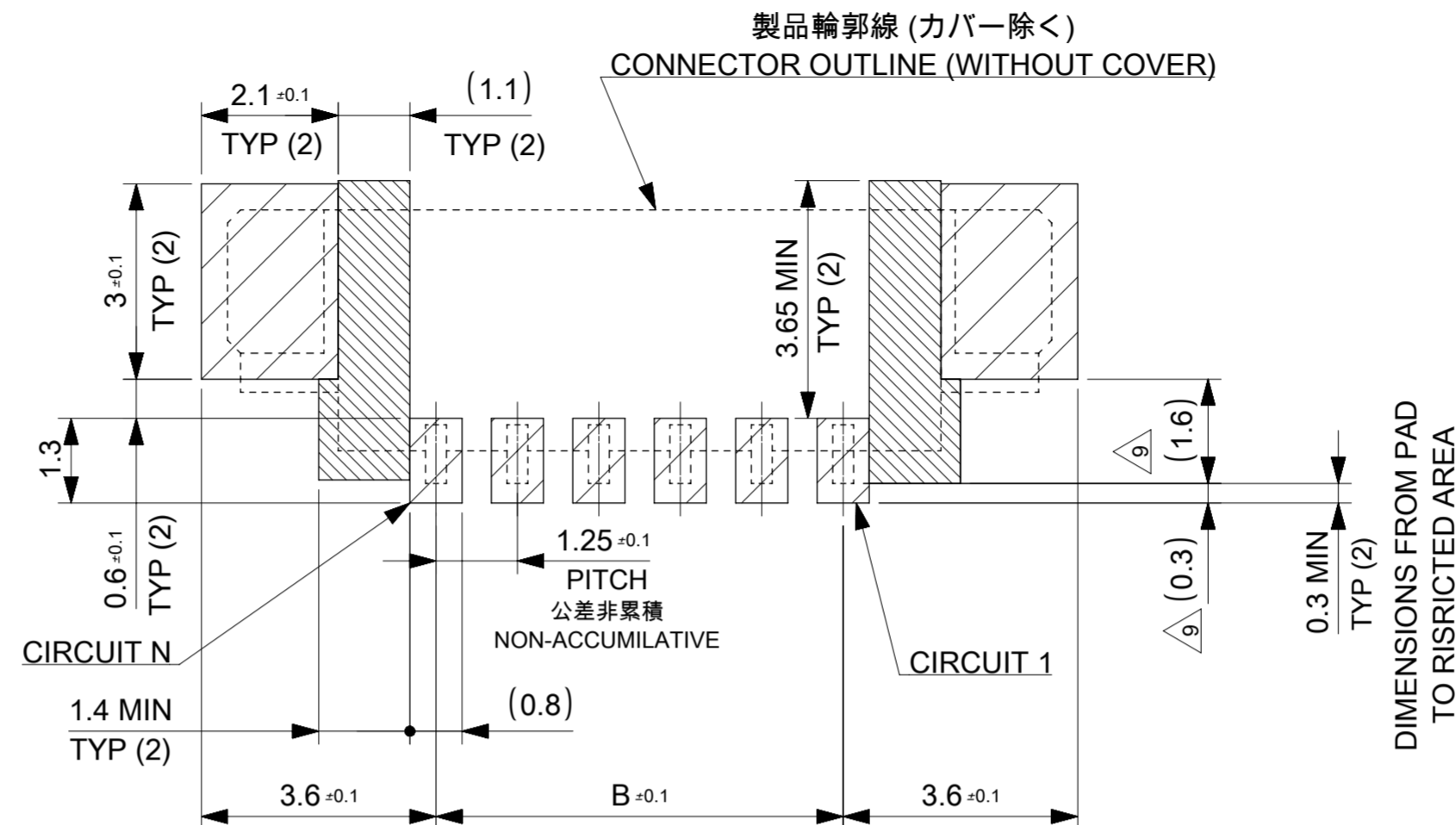
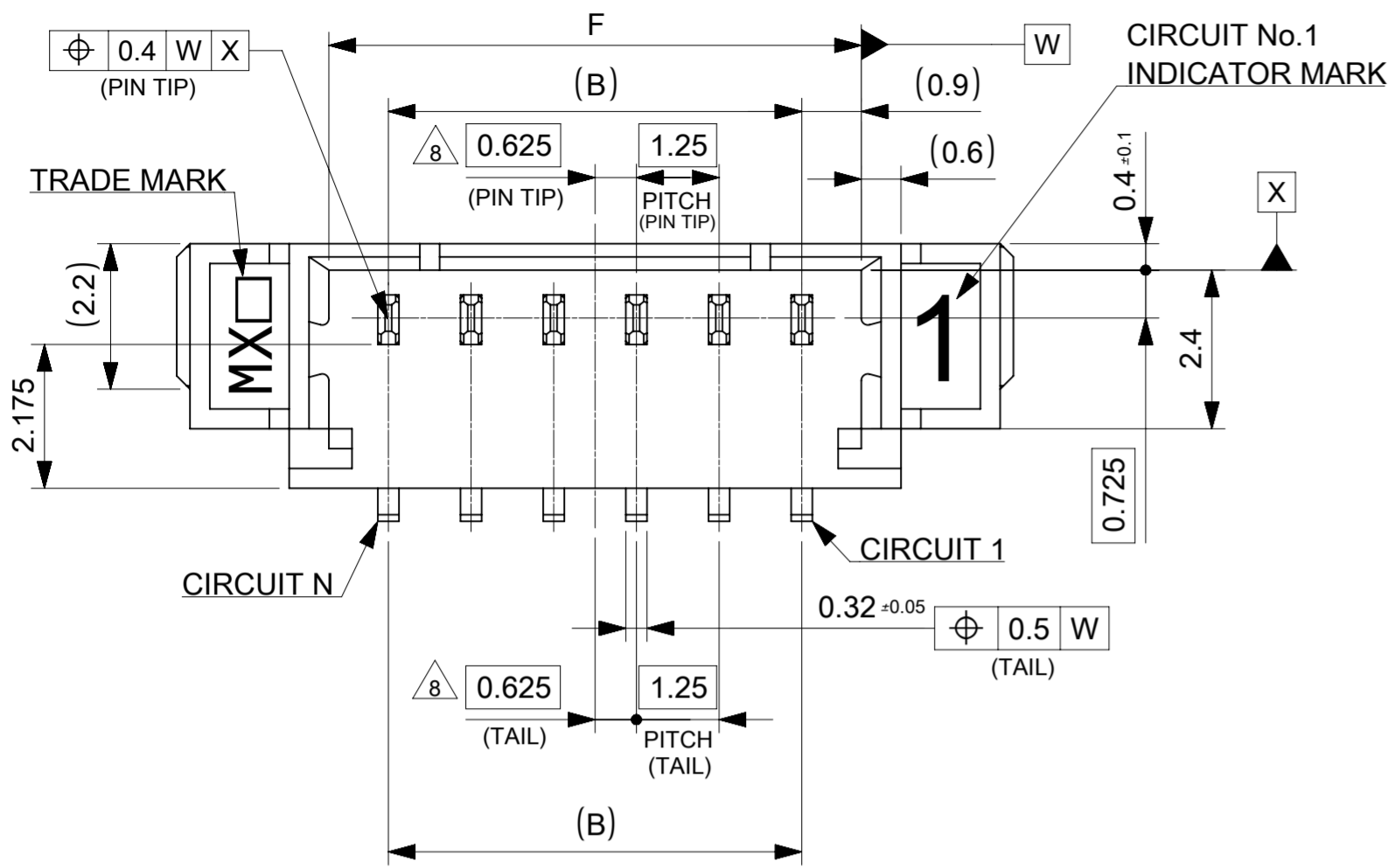
① TABLE 1

番号 NO.	部品 PART	材質 MATERIAL	
①	吸着キャップ VACUUM CAP	ポリアミド(PA), UL94V-0, GLASS-FILLED, 色: ナチュラル(ベージュ) POLYAMIDE(PA), UL94V-0, GLASS-FILLED, COLOR: NATURAL(BEIGE)	
②	ハウジング HOUSING	ポリアミド(PA), UL94V-0, GLASS-FILLED, 色: ナチュラル(ベージュ) POLYAMIDE(PA), UL94V-0, GLASS-FILLED, COLOR: NATURAL(BEIGE)	
③	ターミナル TERMINAL	母材 MATERIAL	りん青銅 PHOSPHOER BRONZE
		コンタクト部 CONTACT AREA	無光沢錫めっき 1.0 MICROMETER MINIMUM
		テール部 TAIL AREA	MATTE TIN PLATING 1.0 MICROMETER MINIMUM
④	ネイル NAIL	下地めっき UNDER PLATING	ニッケルめっき 1.0 MICROMETER MINIMUM NICKEL PLATING 1.0 MICROMETER MINIMUM
		母材 MATERIAL	りん青銅 PHOSPHOER BRONZE
		テール部 TAIL AREA	無光沢錫めっき 1.0 MICROMETER MINIMUM MATTE TIN PLATING 1.0 MICROMETER MINIMUM
		下地めっき UNDER PLATING	ニッケルめっき 1.0 MICROMETER MINIMUM NICKEL PLATING 1.0 MICROMETER MINIMUM

THIS DRAWING CONTAINS INFORMATION THAT IS PROPRIETARY TO MOLEX ELECTRONIC TECHNOLOGIES, LLC AND SHOULD NOT BE USED WITHOUT WRITTEN PERMISSION

DIMENSION UNITS mm	SCALE 10:1	CURRENT REV DESC:	<b>molex</b>			
GENERAL TOLERANCES (UNLESS SPECIFIED)	ANGULAR TOL ± 3.0°	EC NO: 616086				PICOBLADE 1.25 SMT VERTICAL TYPE WITH VACUUM CAP
4 PLACES ± 0.2	DRWN: SOBARA01 2019/04/10	CHK'D: AIDA 2019/04/25	PRODUCT CUSTOMER DRAWING			
3 PLACES ± 0.2	APPR: SAKIYAMA 2019/04/25	INITIAL REVISION:	DOCUMENT NUMBER			
2 PLACES ± 0.2	DRWN: SOBARA01 2019/04/10	APPR: SAKIYAMA 2019/04/25	533980001-SD			
1 PLACE ± 0.2	APPR: SAKIYAMA 2019/04/25		DOC TYPE	DOC PART	REVISION	
0 PLACES ± 0.2			PSD	000	A	
DRAFT WHERE APPLICABLE MUST REMAIN WITHIN DIMENSIONS	THIRD ANGLE PROJECTION	DRAWING A2-SIZE	SERIES 53398	MATERIAL NUMBER SEE CHART OF SHEET 3	CUSTOMER GENERAL	SHEET NUMBER 1 OF 3

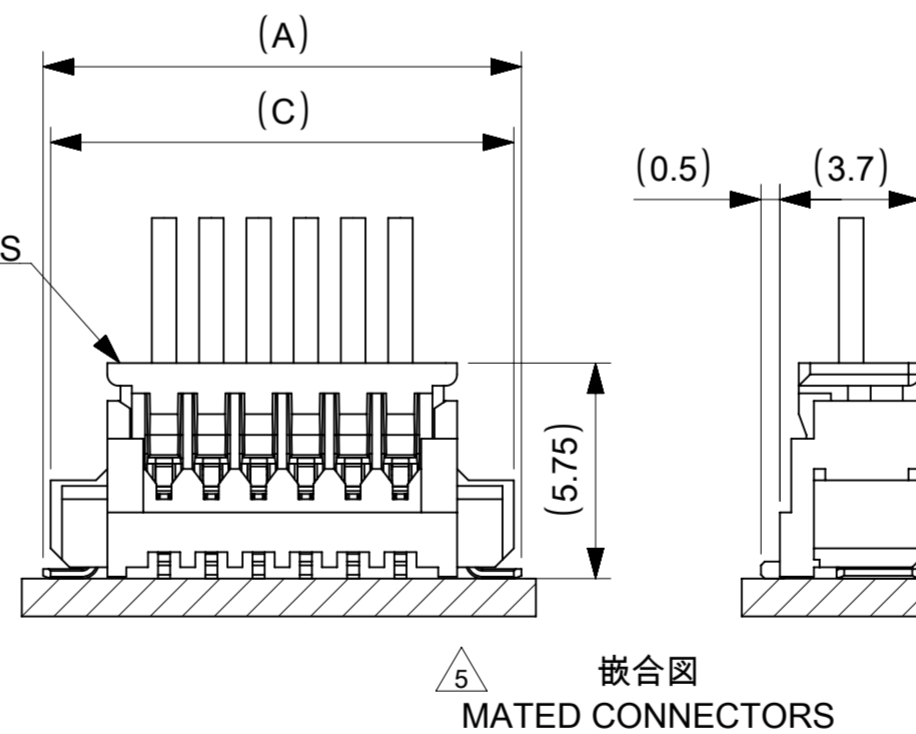
カバーを外した状態  
WITHOUT COVER



推奨基板レイアウト  
RECOMMENDED P.W.B. PATTERN  
(参考 : 基板厚 1.0 MILLIMETER, メタルマスク厚さ: 0.15 MILLIMETER, マスク開口率:100%)  
(REFERENCE : P.W.B THICKNESS 1.0 MILLIMETER, STENCIL THICKNESS: 0.15 MILLIMETER, APERTURE:100%)

パターン禁止エリア  
RESTRICTED AREA  
NO PCB COMPONENTS ALLOWED

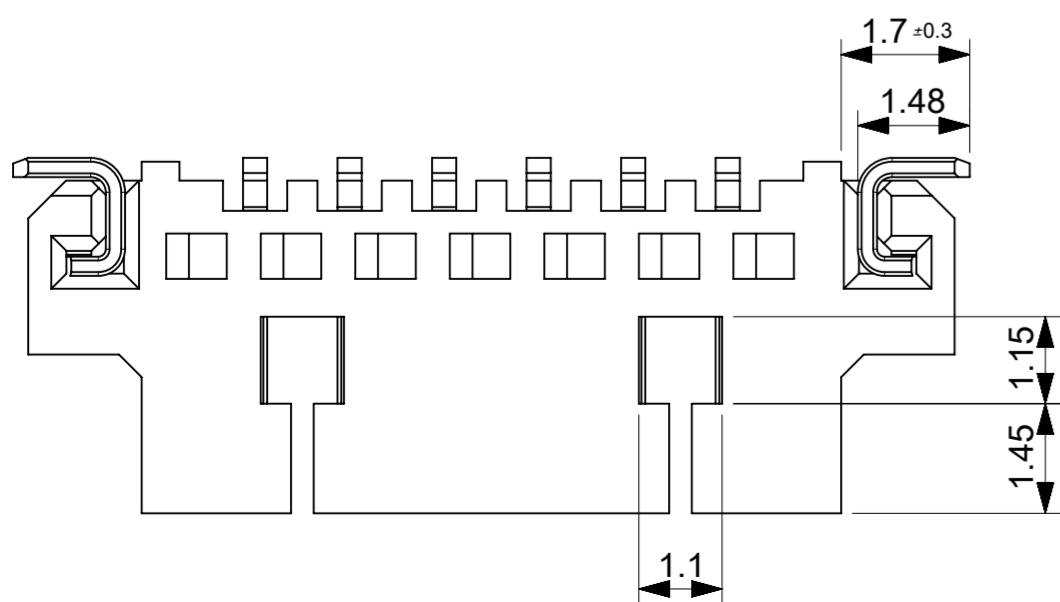
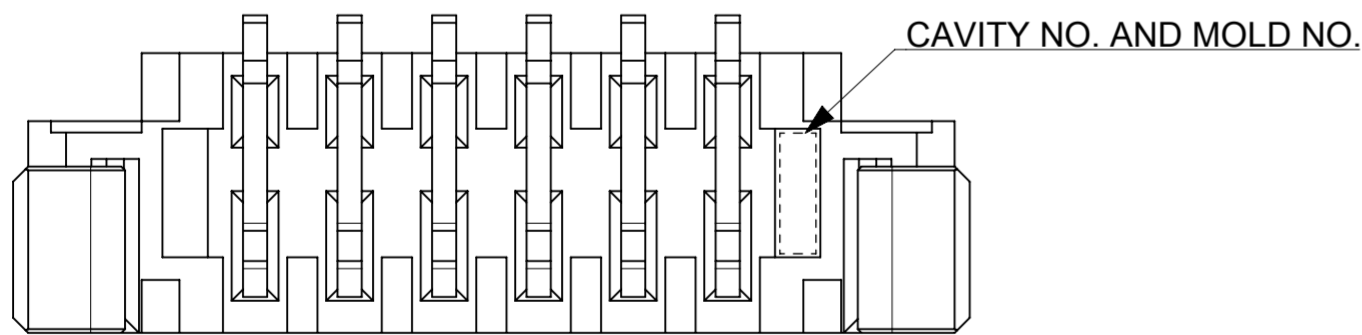
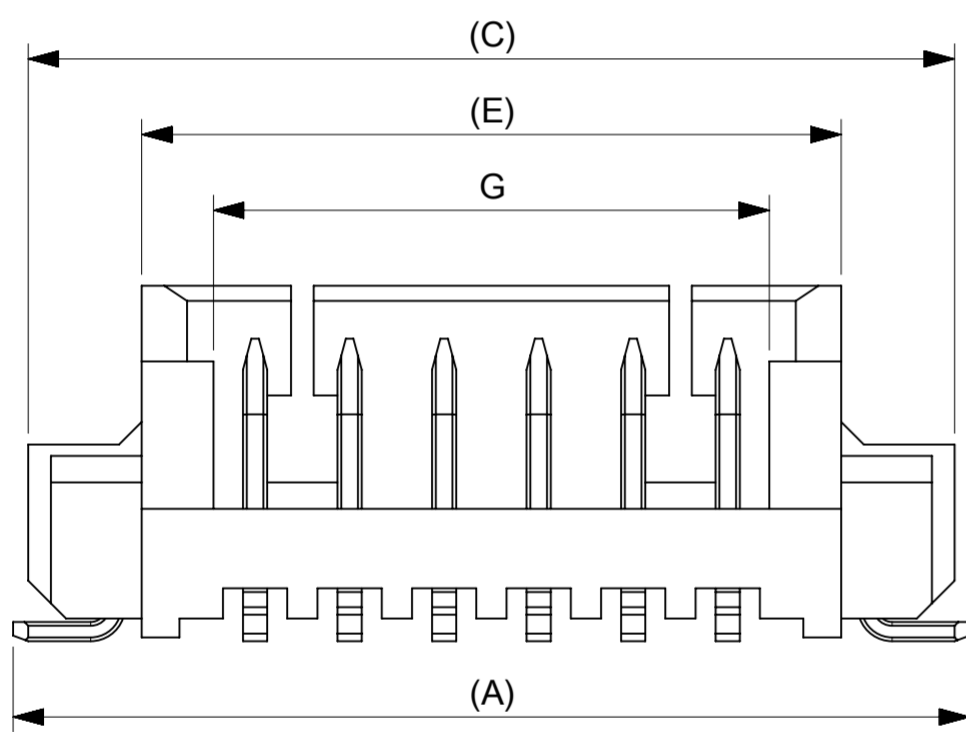
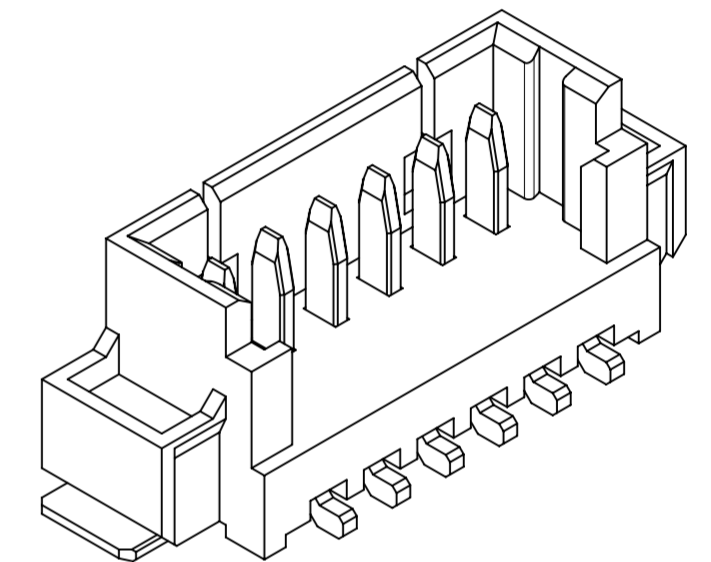
嵌合相手 : 51021 シリーズ  
MATE WITH : 51021 SERIES



嵌合図  
MATED CONNECTORS

NOTES

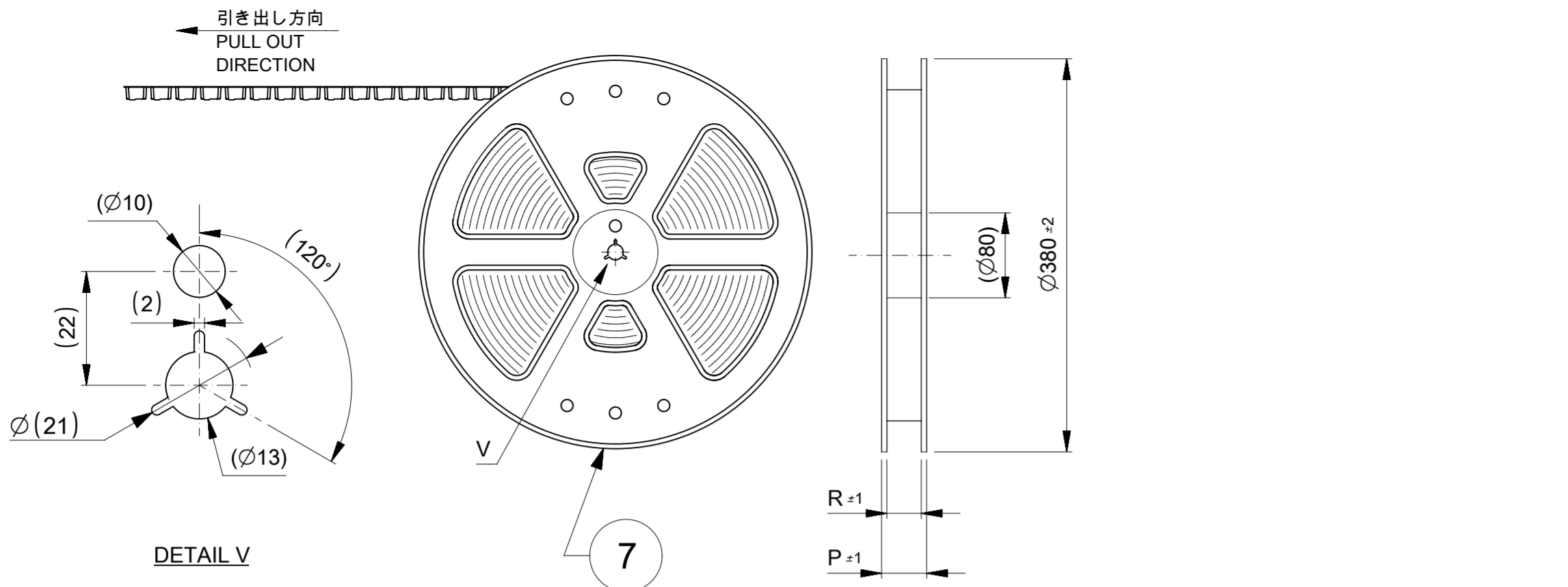
- △8 偶数極のみに適用  
APPLY TO EVEN CIRCUIT PRODUCTS.
- △9 製品輪郭線からパッドまでの寸法を示す  
DIMENSIONS FROM CONNECOTROUTLINE TO PAD



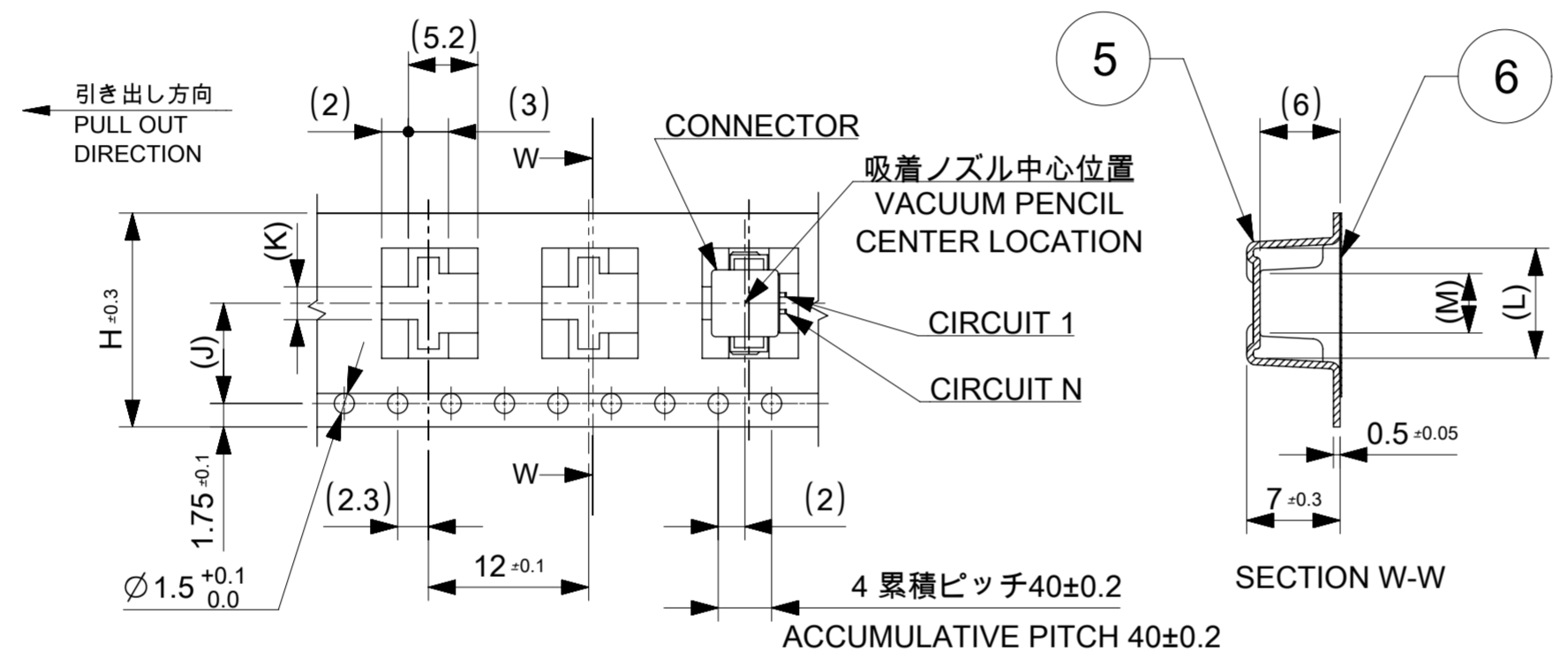
18.6	19.3	20.5	21.25	23.5	17.5	23.9	15
17.35	18.05	19.25	20	22.25	16.25	22.65	14
16.1	16.8	18	18.75	21	15	21.4	13
14.85	15.55	16.75	17.5	19.75	13.75	20.15	12
13.6	14.3	15.5	16.25	18.5	12.5	18.9	11
12.35	13.05	14.25	15	17.25	11.25	17.65	10
11.1	11.8	13	13.75	16	10	16.4	9
9.85	10.55	11.75	12.5	14.75	8.75	15.15	8
8.6	9.3	10.5	11.25	13.5	7.5	13.9	7
7.35	8.05	9.25	10	12.25	6.25	12.65	6
6.1	6.8	8	8.75	11	5	11.4	5
4.85	5.55	6.75	7.5	9.75	3.75	10.15	4
3.6	4.3	5.5	6.25	8.5	2.5	8.9	3
2.35	3.05	4.25	5	7.25	1.25	7.65	2
G	F	E	D	C	B	A	極数 CIRCUIT SIZE

THIS DRAWING CONTAINS INFORMATION THAT IS PROPRIETARY TO MOLEX ELECTRONIC TECHNOLOGIES, LLC AND SHOULD NOT BE USED WITHOUT WRITTEN PERMISSION

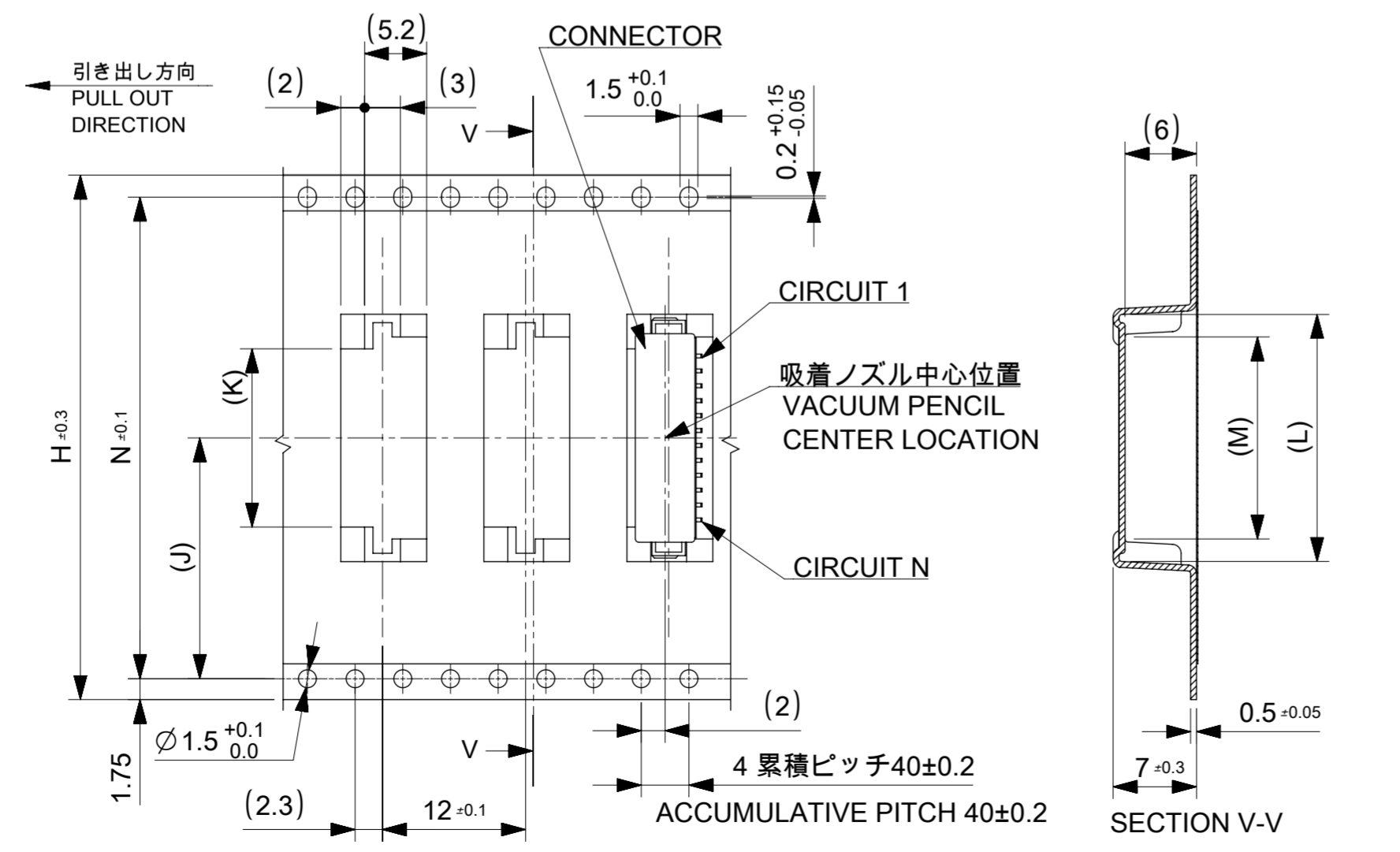
DIMENSION UNITS <b>mm</b>	SCALE <b>10:1</b>	CURRENT REV DESC:	
GENERAL TOLERANCES (UNLESS SPECIFIED)		EC NO: 616086	
ANGULAR TOL ± 3.0°	4 PLACES ± 0.2	DRWN: SOBARA01	2019/04/10
3 PLACES ± 0.2	2 PLACES ± 0.2	CHK'D: AIDA	2019/04/25
1 PLACE ± 0.2	0 PLACES ± 0.2	APPR: SAKIYAMA	2019/04/25
DRAFT WHERE APPLICABLE MUST REMAIN WITHIN DIMENSIONS		INITIAL REVISION:	
THIRD ANGLE PROJECTION		DRWN: SOBARA01	2019/04/10
DRAWING		APPR: SAKIYAMA	2019/04/25
SERIES		DOCUMENT NUMBER	
A2-SIZE		533980001-SD	
MATERIAL NUMBER		DOC TYPE	DOC PART
SEE CHART OF SHEET 3		PSD	000
CUSTOMER		REVISION	
GENERAL		A	
SHEET NUMBER		2 OF 3	



DETAIL V



16mm幅(2極用) および24mm幅(3~8極用)キャリアテープ  
16mm (FOR 2 CIRCUIT) OR 24mm (FOR 3-8 CIRCUIT) WIDTH CARRIER TAPE



32mm幅(9~11極用) および44mm幅(12~15極用)キャリアテープ  
32mm (FOR 9-11 CIRCUIT) OR 44mm (FOR 12-15 CIRCUIT) WIDTH CARRIER TAPE

NOTES

- 10. 梱包数量：1000個/リール  
NUMBER OF CONNECTOR : 1000PCS / REEL
  - 11. リードテープ長さ  
LEAD TAPE LENGTH
- 
- 12. 材料：TABLE 2 参照  
MATERIAL : REFER TO TABLE 2
  - 13. トップテープの剥離強度はIEC60286-3に準拠  
TOP TAPE PELING FORCE IS DEFINED BY IEC60286-3.
  - 14. 本製品は乾燥剤入り、ハイバリア梱包仕様による納品となります。  
THIS PRODUCT IS DELIVERED IN A HIGH BARRIER PACKAGE WITH DESICCANT.
  - 15. 梱包仕様書：SPK-53398-002  
PACKAGING SPECIFICATION : SPK-53398-002

TABLE 2

番号 NO.	部品 PART	材質 MATERIAL
⑤	キャリアテープ CARRIER TAPE	ポリプロピレン(PP) POLYPROPYLENE(PP)
⑥	トップテープ TOP TAPE	ポリエチレンフタレート(PEF)、その他 POLYETHYLENE FURANOATE(PEF), etc
⑦	リール REEL	ポリスチレン(PS) <リサイクル材を含む> POLYSTYRENE(PS) < RECYCLE MATERIAL CONTAINED >

16. 発注番号  
ORDER NUMBER  
53398-\*\*67

極数  
CIRCUIT

53398-1567	15
53398-1467	14
53398-1367	13
53398-1267	12
53398-1167	11
53398-1067	10
53398-0967	9
53398-0867	8
53398-0767	7
53398-0667	6
53398-0567	5
53398-0467	4
53398-0367	3
53398-0267	2
発注番号 ORDER NO.	極数
PACKAGING : EMBOSSED TAPE AND REEL	CIRCUIT

THIS DRAWING CONTAINS INFORMATION THAT IS PROPRIETARY TO MOLEX ELECTRONIC TECHNOLOGIES, LLC AND SHOULD NOT BE USED WITHOUT WRITTEN PERMISSION

DIMENSION UNITS	SCALE	CURRENT REV DESC:	molex				
mm	10:1	EC NO: 616086	PICOBLADE 1.25 SMT VERTICAL TYPE WITH VACUUM CAP				
GENERAL TOLERANCES (UNLESS SPECIFIED)		DRWN: SOBARA01 2019/04/10					
ANGULAR TOL	± 3.0°	CHK'D: AIDA 2019/04/25	PRODUCT CUSTOMER DRAWING				
4 PLACES	± 0.2	APPR: SAKIYAMA 2019/04/25					
3 PLACES	± 0.2	INITIAL REVISION:	DOCUMENT NUMBER				
2 PLACES	± 0.2	DRWN: SOBARA01 2019/04/10					
1 PLACE	± 0.2	APPR: SAKIYAMA 2019/04/25	533980001-SD		DOC TYPE	DOC PART	REVISION
0 PLACES	± 0.2		SEE CHART OF SHEET 3	GENERAL	000	A	
DRAFT WHERE APPLICABLE MUST REMAIN WITHIN DIMENSIONS	THIRD ANGLE PROJECTION	DRAWING	SERIES	MATERIAL NUMBER	CUSTOMER	SHEET NUMBER	
		A2-SIZE	53398	GENERAL	GENERAL	3 OF 3	