

M8 Circular Panel Mount, Back Mount



Features

- Ideal for compact and space-sensitive industrial applications
- UL94-V0 flame retardant degree
- RoHS compliant

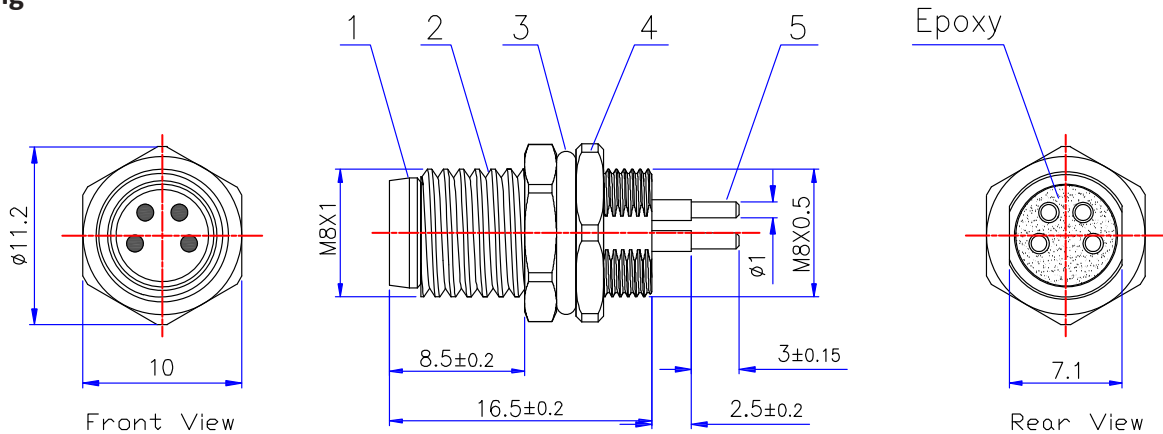


Specification

Protection Rating	IP67
Wire Connection Mode	Soldering
Operating Temperature Min.	-20 °C
Operating Temperature Max.	85 °C
Connector Size	M8
Gender	Plug

Article Nr.	Number of Pins	Rated Voltage	Rated Current	Withstanding Voltage
RND 205-01126	3	60 V	3 A	850 VAC / 1 min
RND 205-01127	4	60 V	3 A	850 VAC / 1 min
RND 205-01128	6	30 V	1 A	650 VAC / 1 min

Drawing



Material Specification

1 - Insulator	PA66, Black
2 - Body	Brass, Nickel Finish
3 - O-Ring	Rubber
4 - Nut M8 x 0.5	Brass, Nickel Finish
5 - Contacts	Brass, Gold Finish

Pin Out

