

1060989-1 ✓ ACTIVE



TE Internal #: 1060989-1

RF Connectors, MCX RF Interface, Jack, RF Connector Mated
Outer Diameter (Approximate) .137 in [3.48 mm], 50 Ω , Snap-On,
6GHz Operating Frequency

[View on TE.com >](#)

Connectors > RF Coax Connectors > RF Connectors > MCX Connector: Male (Jack), Vertical, 50 Ohm



RF Interface: **MCX**

RF Connector Style: **Jack**

RF Connector Mated Outer Diameter (Approximate): **3.48 mm [.137 in]**

Impedance: **50 Ω**

RF Connector Coupling Mechanism: **Snap-On**

[All MCX Connector: Male \(Jack\), Vertical, 50 Ohm \(12\)](#)

Features

Product Type Features

RF Interface	MCX
RF Connector Style	Jack
Connector System	Cable-to-Board
Sealable	No
Connector & Contact Terminates To	Printed Circuit Board

Configuration Features

Number of Mounting Legs	4
Number of Positions	1
PCB Mount Orientation	Vertical
Number of Coaxial Contacts	1

Electrical Characteristics

Impedance	50 Ω
-----------	-------------

Body Features



Body Shape	Circular
Body Material	Brass
Body Material Finish	Plated
Body Plating Material	Nickel

Contact Features

RF Connector Center Contact Underplating Material	Copper, Nickel
	1397 μ m
RF Connector Center Contact Plating Material	Gold
RF Connector Center Contact Material	Beryllium Copper

Termination Features

Termination Method to Printed Circuit Board	Through Hole - Solder
Termination Post & Tail Length	3.94 mm[.155 in]

Mechanical Attachment

PCB Mount Retention	Without
RF Connector Coupling Mechanism	Snap-On
Connector Mounting Type	Board Mount
Detent	Without

Dimensions

RF Connector Mated Outer Diameter (Approximate)	3.48 mm[.137 in]
Height Above PC Board	5.36 mm[.211 in]

Usage Conditions

Operating Temperature Range	-65 – 165 $^{\circ}$ C[-85 – 329 $^{\circ}$ F]
-----------------------------	--

Operation/Application

Operating Frequency	6 GHz
---------------------	-------

Packaging Features

Packaging Method	Package
------------------	---------

Other

Dielectric Material	TFE Fluorocarbon
---------------------	------------------

Product Compliance

[For compliance documentation, visit the product page on TE.com>](#)



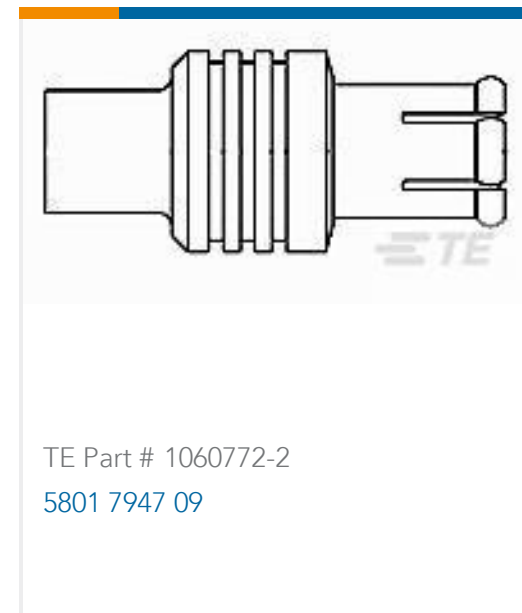
EU RoHS Directive 2011/65/EU	Compliant with Exemptions
EU ELV Directive 2000/53/EC	Compliant with Exemptions
China RoHS 2 Directive MIIT Order No 32, 2016	Restricted Materials Above Threshold
EU REACH Regulation (EC) No. 1907/2006	<p>Current ECHA Candidate List: JAN 2021 (211)</p> <p>Candidate List Declared Against: JAN 2021 (211)</p> <p>SVHC > Threshold:</p> <p>Pb (3.7% in Component Part)</p> <p>Article Safe Usage Statements: Do not eat, drink or smoke when using this product. Wash thoroughly after handling. Recycle if possible and dispose of the article by following all applicable governmental regulations relevant to your geographic location.</p>
Halogen Content	Low Bromine/Chlorine - Br and Cl < 900 ppm per homogenous material. Also BFR /CFR/PVC Free
Solder Process Capability	Pin-in-Paste capable to 260°C

Product Compliance Disclaimer

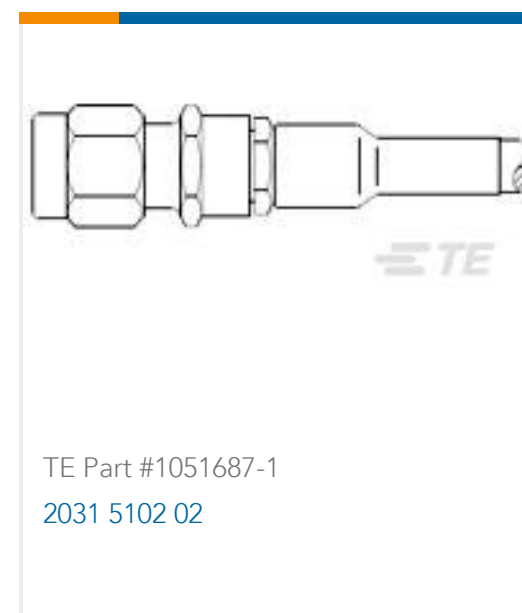
This information is provided based on reasonable inquiry of our suppliers and represents our current actual knowledge based on the information they provided. This information is subject to change. The part numbers that TE has identified as EU RoHS compliant have a maximum concentration of 0.1% by weight in homogenous materials for lead, hexavalent chromium, mercury, PBB, PBDE, DBP, BBP, DEHP, DIBP, and 0.01% for cadmium, or qualify for an exemption to these limits as defined in the Annexes of Directive 2011/65/EU (RoHS2). Finished electrical and electronic equipment products will be CE marked as required by Directive 2011/65/EU. Components may not be CE marked. Additionally, the part numbers that TE has identified as EU ELV compliant have a maximum concentration of 0.1% by weight in homogenous materials for lead, hexavalent chromium, and mercury, and 0.01% for cadmium, or qualify for an exemption to these limits as defined in the Annexes of Directive 2000/53/EC (ELV). Regarding the REACH Regulation, the information TE provides on SVHC in articles for this part number is based on the latest European Chemicals Agency (ECHA) 'Guidance on requirements for substances in articles' posted at this URL: <https://echa.europa.eu/guidance-documents/guidance-on-reach>

Compatible Parts

<p>TE Part # 1060875-1 50 OHM MCX CABLE PLUG (NICKEL)</p>	<p>TE Part # 1060891-1 5837 5003 10, OSX RA CABLE PLUG</p>	<p>TE Part # 1060787-1 5807 7985 09, OSX R/A CABL PLUG</p>	<p>TE Part # 1060888-1 5837 5002 10</p>
---	--	--	---



Customers Also Bought





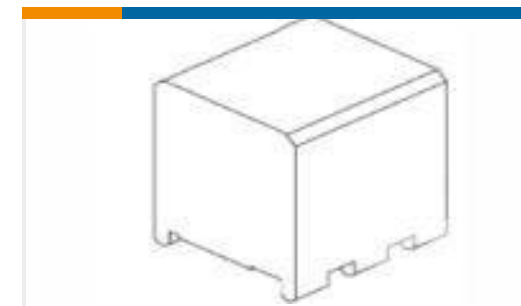
TE Part #1218441-1
R/A PLG ASSY 9 POS SER 109



TE Part #1544242-1
CTS SIL 2487 PRE-E



TE Part #1053514-1
2080 5055 02



TE Part #91347-1
SEATING TOOL, HMZD RCPT, 4 PAIR

Documents

Product Drawings

[5862 5003 10, OSX PCB JACK RECP](#)

English

CAD Files

[3D PDF](#)

3D

Customer View Model

[ENG_CVM_CVM_1060989-1_A.2d_dxf.zip](#)

English

Customer View Model

[ENG_CVM_CVM_1060989-1_A.3d_igs.zip](#)

English

Customer View Model

[ENG_CVM_CVM_1060989-1_A.3d_stp.zip](#)

English

By downloading the CAD file I accept and agree to the [Terms and Conditions](#) of use.

Datasheets & Catalog Pages

[MCX Connectors](#)

English