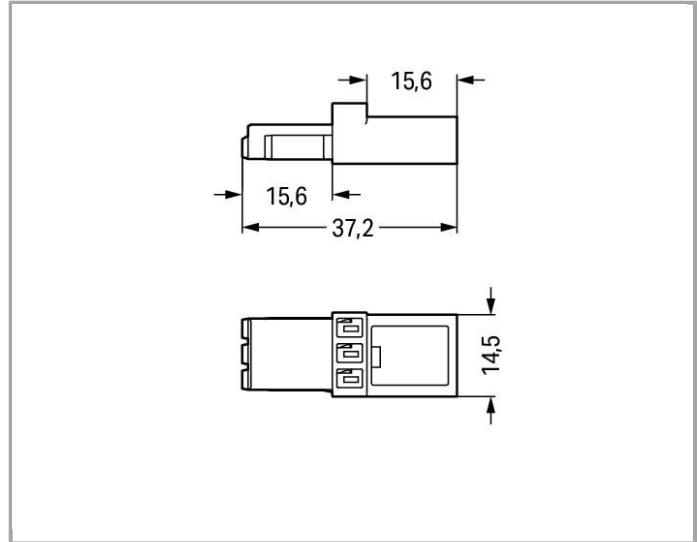
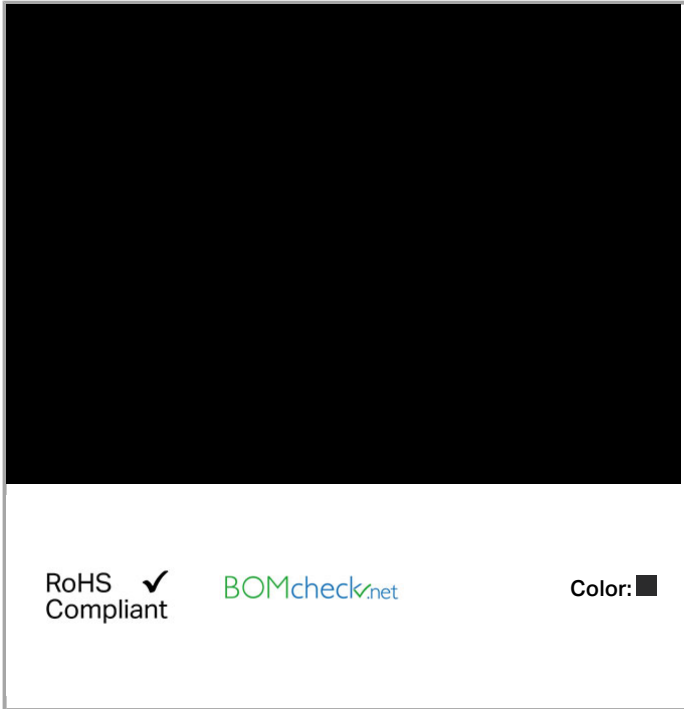


## Data sheet | Item number: 890-603

Intermediate coupler; 1 x plug / 1 x socket; 3-pole; 100% protected against mismatching



[www.wago.com/890-603](http://www.wago.com/890-603)



### Item description

#### Note:

All connectors for mounted installations (snap-in versions for lighting fixtures or devices, all types of PCB and distribution connectors) are factory-equipped with locking levers to ensure plugs and sockets are securely locked. Additional locking levers are only required for flying leads (plug /socket).

### Data

#### Electrical data

#### Ratings per IEC/EN 60664-1

Rated voltage (III / 3)	250 V
Rated impulse voltage (III / 3)	4 kV
Rated current	16 A
Legend (ratings)	(III / 3) ≙ Overvoltage category III / Pollution degree 3

#### Connection data

No. of poles	3
Total number of potentials	3



## Geometrical Data

Pin spacing	4.4 mm (0.173 inch)
Width	14.5 mm / 0.571 inch
Height	10.5 mm / 0.413 inch
Depth	37.2 mm / 1.465 inch

## Mechanical data

Coding	A
Mating force of a plug-in connection	approx. 20 ... 70 N (depending on pole number)
Retention force of a plug-in connection	when locked: > 80N
Unmating force of a plug-in connection	when unlocked: approx. 20 ... 70 N (depending on pole number)
Type of distribution connector	Intermediate coupler
Degree of protection	IP20

## Plug connection

Contact type (pluggable connector)	Socket/plug
Mismating protection	Yes
Locking of plug-in connection	locking lever
Locking lever	yes

## Material Data

Color	black
Insulating material	Polyamide 66 (PA 66)
Flammability class per UL94	V0
Contact material	Copper or copper alloy, surface-treated
Fire load	0.059 MJ
Weight	3.5 g

## Environmental Requirements

Surrounding air (operating) temperature	-35 ... 85 °C
---	---------------

## Commercial data


Country of origin	DE
GTIN	4050821295426
Customs Tariff No.	85366990990
Product Group	20 (WINSTA)

## Approvals / Certificates

### Country specific Approvals

Logo	Approval	Certificate name
	CCA DEKRA Certification B.V.	2182129.01
	CCA DEKRA Certification B.V.	NL-35632

### Ship Approvals

Logo	Approval	Certificate name
	DNV GL Det Norske Veritas, Germanischer Lloyd	TAE00001Z6

### UL-Approvals

Logo	Approval	Certificate name
	UL UL International Germany GmbH	E45171

## Downloads

### Documentation

#### Bid Text

890-603	Sep 19, 2016	DOC	Download
WINSTA MINI 3-polig		23.6 kB	

### smartDATA

#### CAD data

3D Download 890-603	URL	Download
---------------------	-----	----------

Subject to changes.