

200 x 100 x 45 cm

78.7" x 39.4" x 17.7"

BRICOFORTE 1004-5



Simon Rack
SINCE 1964 - MANUFACTURER

Chipboard

5 Años Garantía
Years Guarantee
Jahre Garantie
Ans Garantie
Anos de Garantía
SIMONRACK



1500 kg
(3307 lb)
Total



On-line instructions: www.instructionsrack.com/bricofortechipboard



*MEDIDAS EN USO USED MEASUREMENTS
MASSNAHMEN IM EINSATZ MESURES EN EMPLOI MEDIDAS EN USO:
1985 x 1010 x 460 mm (78.1" x 39.7" x 18.1")



www.simonrack.com

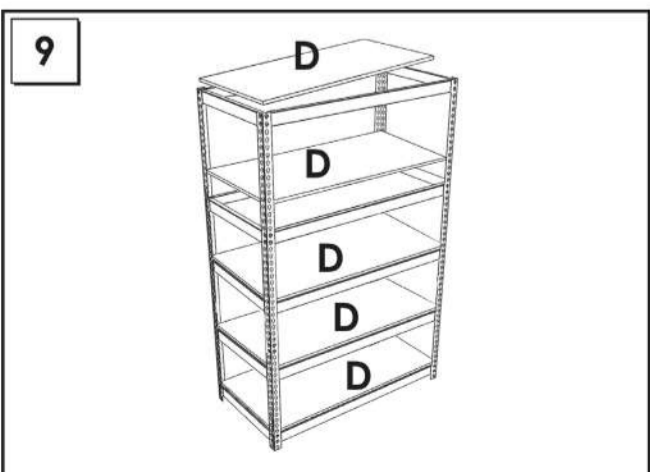
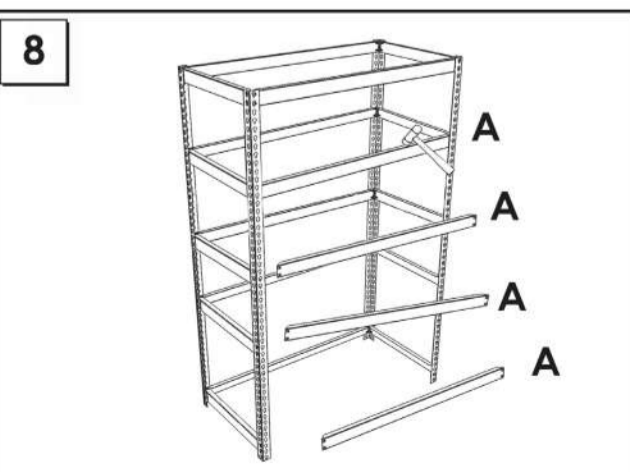
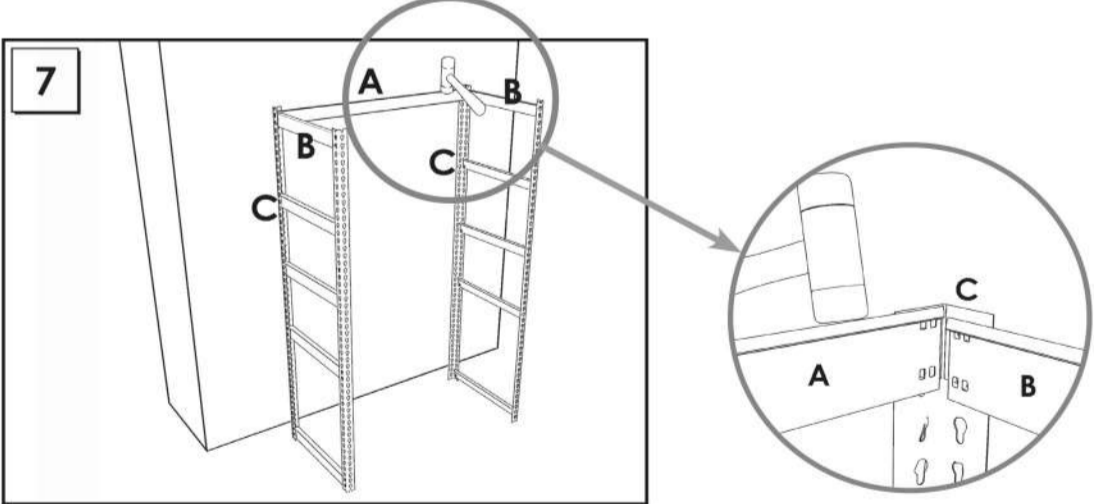
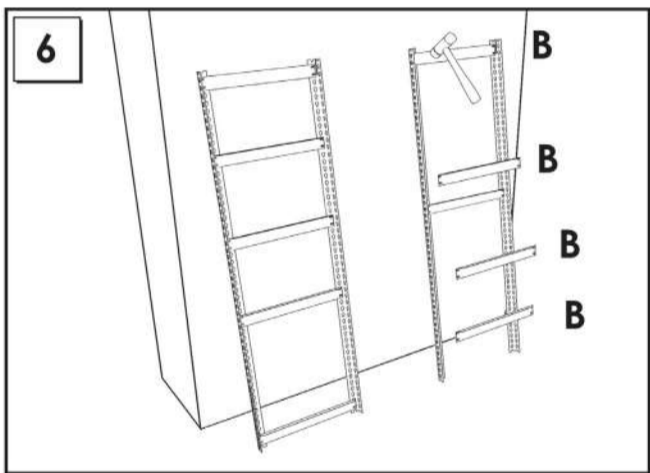
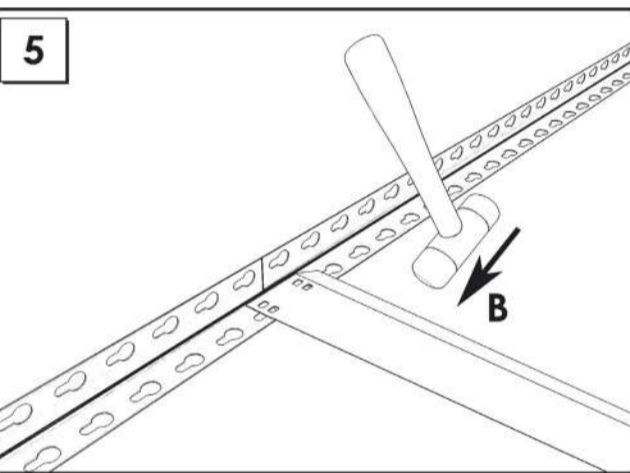
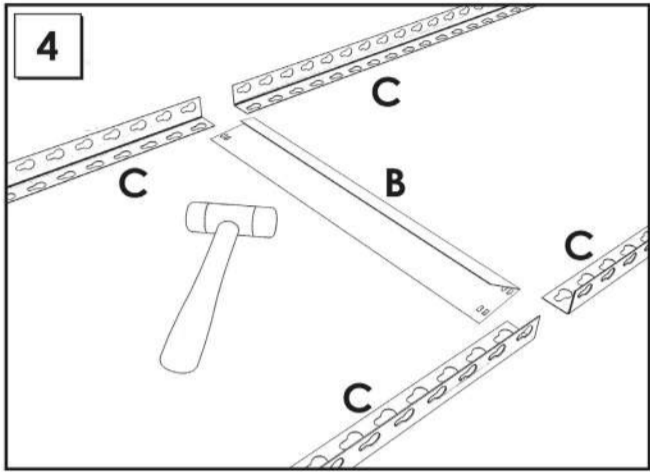
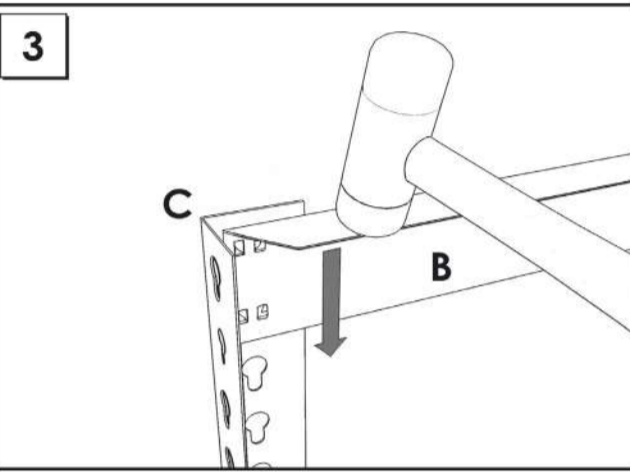
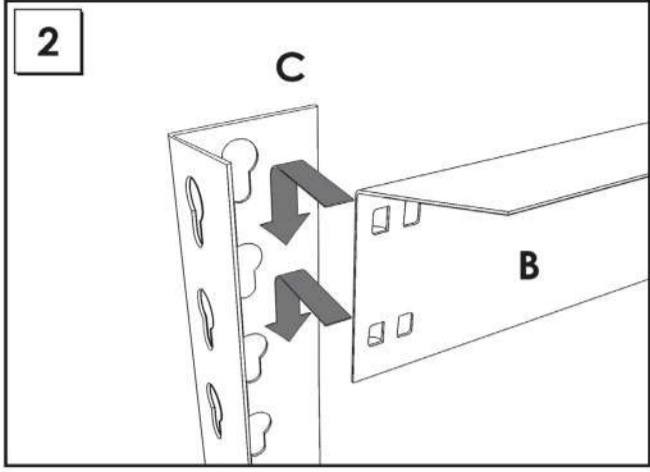
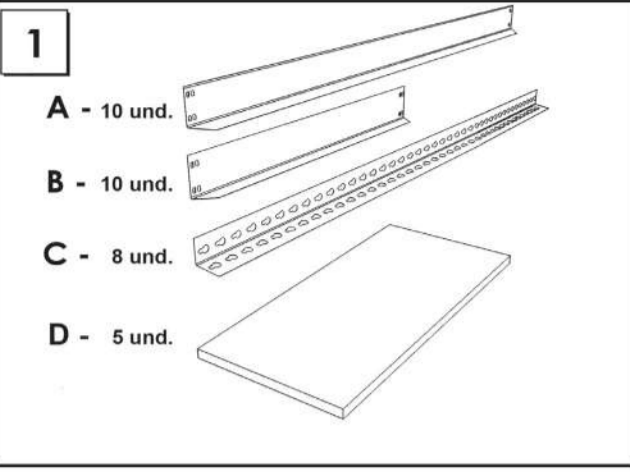


ESTANTERIAS SIMON S.L B.50.556.463 PG. ALFAMEN C/POLIGONO C, N°3 ALFAMEN (ZARAGOZA)

www.simonrack.com



INSTRUCTIONS



SIMONCLASSIC

BOLTS SYSTEM

Up to: **100 Kg.**
Kg./Shelf
Uniformly Distributed Load



SIMONCLICK

NO BOLTS SYSTEM

Up to: **180 Kg.**
Kg./Shelf
Uniformly Distributed Load



SIMONOFFICE

NO BOLTS SYSTEM

Up to: **275 Kg.**
Kg./Shelf
Uniformly Distributed Load



SIMONTALLER

NO BOLTS SYSTEM

Up to: **600 Kg.**
Kg./Shelf
Uniformly Distributed Load



BANCOS DE TRABAJO

Up to: **800 Kg.**
Kg./Shelf
Uniformly Distributed Load



SIMONHOME

Up to: **150 Kg.**
Kg./Shelf
Uniformly Distributed Load



TAQUILLAS



SIMONTITÁN

NO BOLTS SYSTEM

Up to: **900 Kg.**
Kg./Shelf
Uniformly Distributed Load



SIMONINOX

NO BOLTS SYSTEM



SIMONPALET

Up to: **4500 Kg.**
Kg./Shelf



SIMONLEVER



ALTILLOS Y PASILLOS ELEVADOS

