

Card Edge Connector Series



345 - 050 - 520 - 2 02

Series
 Total No. of Contacts
 Contact Code
 Contact Rows & Insulator Style
 Mounting Options

FEATURES

- Contact spacing of .050 (1.27) - .200 (5.08) available
- Variety of contact row spacing options
- Full range of connector sizes – up to 188 contacts
- P.C. tail (solder dip), wire wrap and wire hole contacts
- 90 degree and extender board contact bends
- Plating options of gold and tin-lead
- Wide variety of mounting options
- Card guides, uni-guides

SPECIFICATIONS

- Insulator material: rated to UL94V-0 for entire series
- Contact material: either phosphor bronze alloy CA-510 or copper, nickel, tin-alloy CA-725
- Contact plating: gold over nickel
- Current rating: 1-5 Amperes depending on series
- Contact resistance: 10 Milliohms maximum

EDAC (Europe)

EDAC (Europe) Ltd., Brick Close, Kiln Farm,
 Milton Keynes, MK11 3JB, United Kingdom

Tel: +44 (0) 1908 569333 Fax: +44 (0) 1908 569444

sales@edac.co.uk

Series

301	EISA spacing .050" (1.27mm) x .100" (2.54mm)
302	MCA spacing .050" (1.27mm) x .100" (2.54mm)
305/315/355	spacing .156" (3.96mm) x .140" (3.56mm)
306/316/356	spacing .156" (3.96mm) single row
307/357	spacing .156" (3.96mm) x .200 (5.08mm)
322	spacing .156" (3.96mm) x .200 (5.08mm)
333	spacing .156" (3.96mm) x .200 (5.08mm)
337/387	spacing .156" (3.96mm) x .200 (5.08mm)
338	spacing .156" (3.96mm) x .200 (5.08mm)
341/391	spacing .100" (2.54mm) x .140" (3.56mm)
342/392	spacing .100" (2.54mm) x .200 (5.08mm)
345/395	spacing .100" (2.54mm) x .200" (5.08mm)
346/396	spacing .125" (3.96mm) x .200 (5.08mm)
368	spacing .156" (3.96mm) x .200 (5.08mm)

Total No. of Contacts

002 – 188 Depending on the card edge series of interest

Contact Code

See Edac website on interested series for breakdown of contact code options

Contact Rows and Insulator Style

See Edac website on interested series for breakdown of options available

Mounting Options

See Edac website on interested series for breakdown of mounting options available

www.edac.co.uk

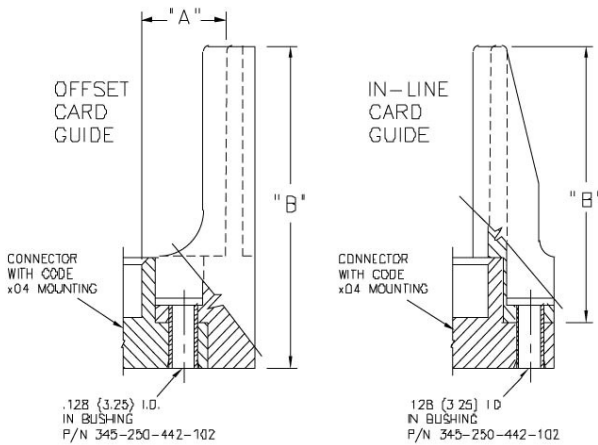
Card Edge Card Guides

307/317/345/346 SERIES CARD GUIDE FEATURES

- Accepts .062 (1.57) nominal thickness P.C. board
- For field assembly of card guides to a connector with code 04 mounting - .156 (3.96) diameter mounting holes. Use an alignment bushing part number 345-250-442-102, a hex or round head screw, washer and nut to hold the assembly to a circuit board.

SPECIFICATIONS

- Guide material: thermoplastic polyester, UL94V-0
- Colour: green, black colour available upon request
- Operating temperature: -65 to +125 degrees C



Note:

- Card guides available for 368 and 243 series also.
- Uni-guide available for 616 series
- Extender cards available for special test applications in .100, .125 & .156 row spacing

Notes for Card Guides Chart

1. Card guide part number 307-220-078 is not suitable for 337 or 387 series connectors with flush mounting lugs.
2. Card guide part number 346-220-078 is not suitable for 346 or 396 series connectors with flush mounting lugs.

Part Number	Style	"A"	"B"	Used for Connector Series
307-220-058	Offset	.468 (11.89)	3.000(76.20)	305,306, 307, 315, 316, 337, 338, 355, 356, 357, 387
307-220-068	Offset	.344 (8.74)	2.75(69.85)	
307-220-078	In-Line		1.550(39.37)	
317-220-078	In-Line		1.712(43.48)	317
345-220-058	Offset	.468 (11.89)	3.000(76.20)	345,395
345-220-078	In-Line		2.750(69.85)	
345-220-088	In-Line		1.25(31.75)	
346-220-058	Offset	.468 (11.89)	3.000(76.20)	346,396
346-220-078	In-Line		2.750(69.85)	

EDAC (Europe)

EDAC (Europe) Ltd., Brick Close, Kiln Farm, Milton Keynes, MK11 3JB, U.K.

Tel: +44 (0) 1908 569333

Fax: +44 (0) 1908 569444

www.edac.co.uk

sales@edac.co.uk