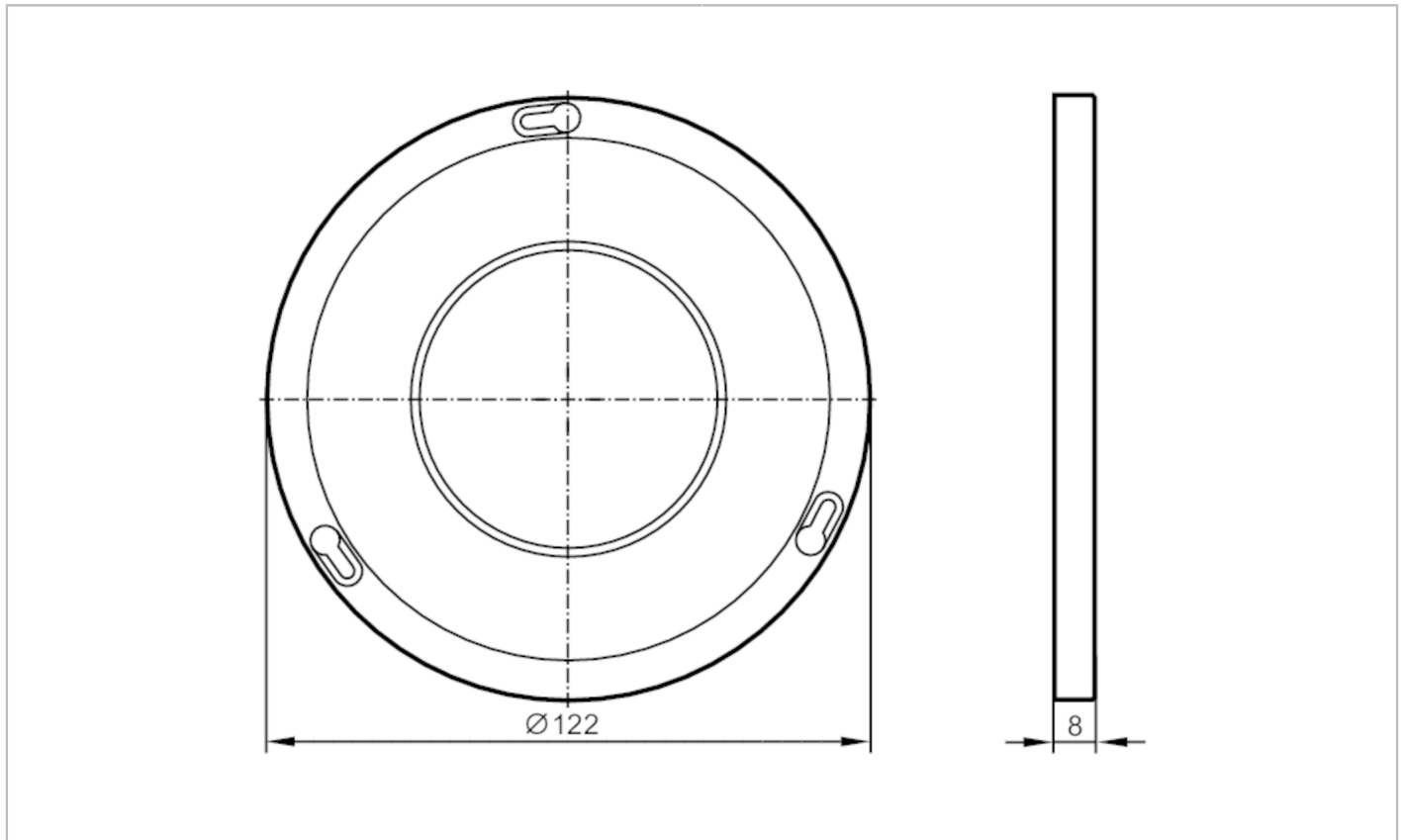


E2D202



Diffuser for illumination units

DIFFUSER WINDOW RINGLIGHT



Operating conditions

Ambient temperature	[°C]	-25...75
---------------------	------	----------

Mechanical data

Weight	[g]	200.5
--------	-----	-------

Dimensions	[mm]	122 x 8 x 122
------------	------	---------------

Materials	housing: aluminium black anodised; lens: glass	
-----------	--	--

Accessories

Accessories (supplied)	screws: 3	
------------------------	-----------	--

Remarks

Pack quantity	1 pcs.	
---------------	--------	--