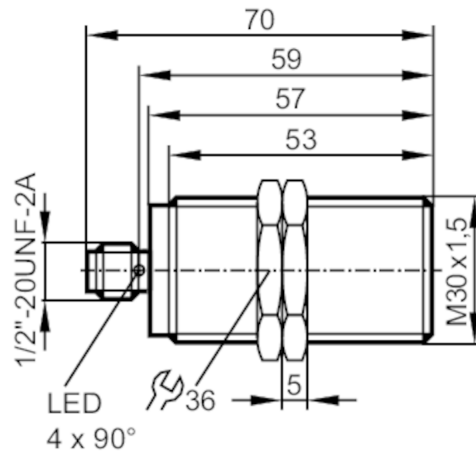


IIT001



Inductive sensor

IHK2014BARKA/M/V4A/LS-104-AK



Product characteristics

Output function		normally open
Sensing range	[mm]	14
Housing		threaded type
Dimensions	[mm]	M30 x 1.5 / L = 70

Application

Special feature		Gold-plated contacts
Application		Use in wet areas and in the food and beverage industry

Electrical data

Operating voltage	[V]	20...140 AC/DC
Protection class		II
Reverse polarity protection		yes
Max. power-on delay time	[ms]	1000



Inductive sensor

IHK2014BARKA/M/V4A/LS-104-AK

Outputs		
Output function	normally open	
Max. voltage drop switching output DC [V]	5.5	
Max. voltage drop switching output AC [V]	5.5	
Minimum load current [mA]	5	
Max. leakage current [mA]	1	
Permanent current rating of switching output AC [mA]	80; (200 (...80 °C))	
Permanent current rating of switching output DC [mA]	80; (200 (...80 °C))	
Short-time current rating of switching output [mA]	1200; (20ms / 0,5Hz / 80 mA (> 80°C))	
Switching frequency AC [Hz]	25	
Switching frequency DC [Hz]	100	
Short-circuit protection	yes	
Type of short-circuit protection	pulsed	
Overload protection	yes	
Detection zone		
Sensing range [mm]	14	
Operating distance [mm]	0...11.34	
Accuracy / deviations		
Correction factor	steel: 1 / stainless steel: 0.7 / brass: 0.5 / aluminium: 0.4 / copper: 0.3	
Hysteresis [% of Sr]	2...15	
Operating conditions		
Ambient temperature [°C]	0...100	
Protection	IP 68; IP 69K; ("COP")	
Tests / approvals		
EMC	EN 61000-4-2 ESD	4 kV CD / 8 kV AD
	EN 61000-4-3 HF radiated	10 V/m
	EN 61000-4-4 Burst	2 kV
	EN 61000-4-6 HF conducted	10 V
	EN 55011	class B
MTTF [years]	380	
UL approval	Ta	0...40 °C
	Enclosure type	Type 1
	voltage supply	Hazardous voltage
	File number UL	E174191

IIT001



Inductive sensor

IIK2014BARKA/M/V4A/LS-104-AK

Mechanical data	
Weight [g]	140.8
Housing	threaded type
Mounting	flush mountable
Dimensions [mm]	M30 x 1.5 / L = 70
Thread designation	M30 x 1.5
Materials	housing: stainless steel (1.4404 / 316L); sensing face: PEEK; lock nuts: stainless steel (1.4404 / 316L)

Displays / operating elements		
Display	switching status	4 x 90° LED, yellow

Accessories	
Accessories (supplied)	lock nuts: 2

Remarks	
Pack quantity	1 pcs.

Electrical connection - plug

Connector: 1 x 1/2"; Contacts: gold-plated

