



Part no.: 50132567
BTU D12M-VKT-90
Rod mounting

Figure can vary

Contents

- Technical data
- Dimensioned drawings
- Accessories

Part no.: 50132567 – BTU D12M-VKT-90 – Rod mounting

Technical data

Basic data

Suitable for	12mm rod Square rod 10 mm
--------------	------------------------------

Mechanical data

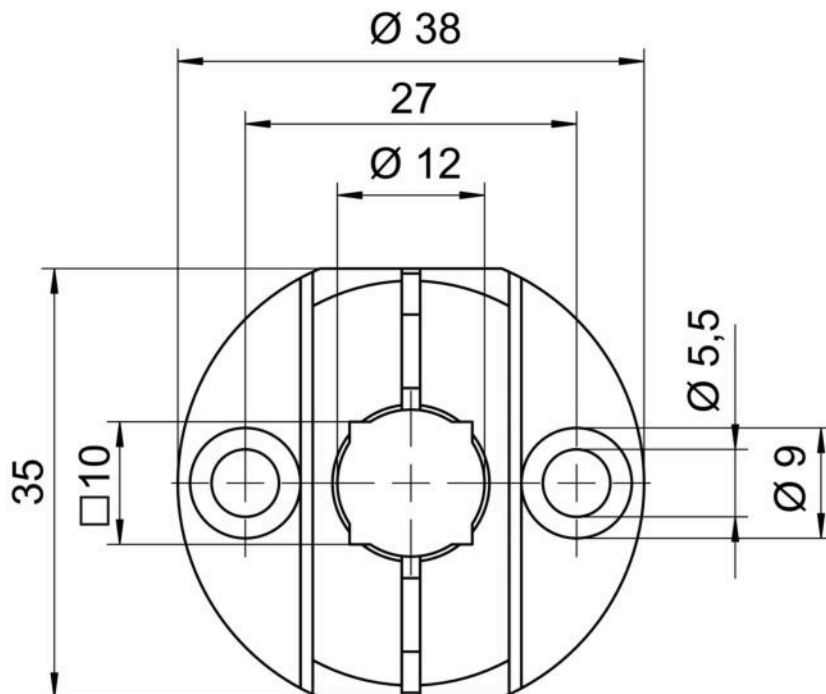
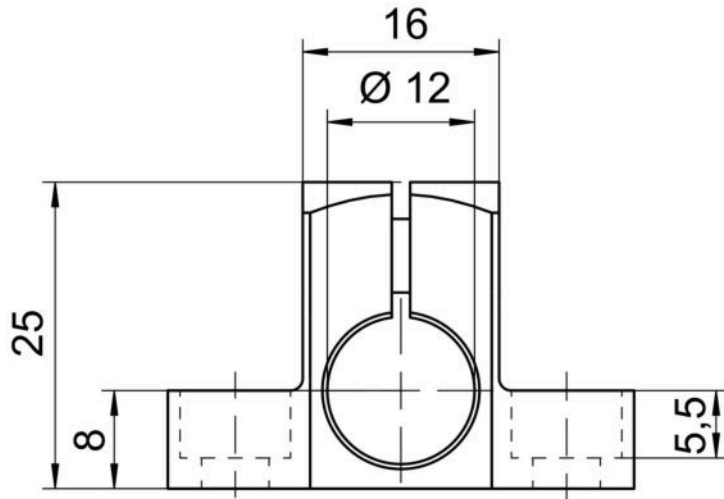
Standard designation, metal mounting device	Diecast aluminum
Design of mounting device	Mounting system
Type of fastening, at system	Bore holes 2 x Ø 5.5 mm Through-hole mounting
Type of fastening, at device	For 12 mm rod Square rod 10 mm
Type of mounting device	Clampable Rigid Turning, 360°
Mounting device material	Metal
ITEM-compatible	No

Classification

Customs tariff number	73182900
eCl@ss 8.0	27279202
eCl@ss 9.0	27273701
ETIM 5.0	EC003015
ETIM 6.0	EC003015


Dimensioned drawings

All dimensions in millimeters



Accessories

Mounting technology - Rod mounts

	Part no.	Designation	Article	Description
	50060503	BT 20-D12	Mounting device	Contains: 2x M3 x 6 screw, 2x M3 x 16 screw, 2x M3 mounting nut, 2x position washers Design of mounting device: Mounting system Fastening, at system: For 12 mm rod, Sheet-metal mounting Mounting bracket, at device: Screw type Material: Metal


Part no.: 50132567 – BTU D12M-VKT-90 – Rod mounting

	Part no.	Designation	Article	Description
	50104897	BT 450.3-96	Mounting device	Design of mounting device: Mounting system Fastening, at system: For 12 mm rod Mounting bracket, at device: Screw type Type of mounting device: Turning, 360°, Adjustable Material: Metal
	50121435	BT 56 - 1	Mounting device	Functions: Static applications Design of mounting device: Mounting system Fastening, at system: For 12 mm rod, For 14 mm rod, For 16 mm rod Mounting bracket, at device: Clampable Material: Metal Tightening torque of the clamping jaws: 8 N·m
	50117829	BTP 200M-D12	Mounting system	Design of mounting device: Protection hood Fastening, at system: For 12 mm rod Mounting bracket, at device: Screw type Type of mounting device: Clampable, Adjustable, Turning, 360° Material: Metal
	50117826	BTP 300M-D12	Mounting system	Design of mounting device: Protection hood Fastening, at system: For 12 mm rod Mounting bracket, at device: Screw type Type of mounting device: Clampable, Adjustable, Turning, 360° Material: Metal
	50117255	BTU 200M-D12	Mounting system	Contains: 2x M3 x 16 screw, 2 M3 x 20 screws, 2x position washers Design of mounting device: Mounting system Fastening, at system: For 12 mm rod, Sheet-metal mounting Mounting bracket, at device: Screw type, Suited for M3 screws Type of mounting device: Clampable, Adjustable, Turning, 360° Material: Metal
	50120426	BTU 200M.5-D12	Mounting system	Contains: 2x M3 x 18 screw, 2x M3 mounting nut, 2x position washers Design of mounting device: Mounting system Fastening, at system: For 12 mm rod Mounting bracket, at device: Screw type, Suited for M3 screws Type of mounting device: Turning, 360°, Adjustable, Clampable Material: Stainless steel
	50120425	BTU 300M.5-D12	Mounting system	Contains: 2x M4 x 25 screw, 2x M4 mounting nut, 2x M4 x 20 screw, 2x position washers Design of mounting device: Mounting system Fastening, at system: For 12 mm rod, Sheet-metal mounting Mounting bracket, at device: Screw type, Suited for M4 screws Type of mounting device: Clampable, Adjustable, Turning, 360° Material: Stainless steel
	50132150	BTU 320M-D12	Mounting system	Contains: 4x M4 x 6 screws Design of mounting device: Mounting system Fastening, at system: For 12 mm rod Mounting bracket, at device: Screw type Type of mounting device: Clampable, Adjustable, Turning, 360° Material: Metal
	50132453	BTU 320M-D12-RL70	Mounting system	Contains: 4x M4 x 6 screws Design of mounting device: Mounting system Fastening, at system: For 12 mm rod Mounting bracket, at device: Screw type Type of mounting device: Turning, 360°, Adjustable, Clampable Material: Metal
	50122797	BTU 346M-D12	Mounting system	Contains: 2x M4 x 25 screw, 2x position washers Design of mounting device: Mounting system Fastening, at system: For 12 mm rod, Sheet-metal mounting Mounting bracket, at device: Screw type Type of mounting device: Turning, 360°, Clampable, Adjustable Material: Metal

Part no.: 50132567 – BTU D12M-VKT-90 – Rod mounting

	Part no.	Designation	Article	Description
	50122798	BTU 346M.5-D12	Mounting system	Design of mounting device: Mounting system Fastening, at system: For 12 mm rod, Sheet-metal mounting Mounting bracket, at device: Screw type Type of mounting device: Turning, 360°, Clampable, Adjustable Material: Stainless steel
	50129149	BTU 346M.6-D12	Mounting system	Design of mounting device: Mounting system Fastening, at system: For 12 mm rod, Sheet-metal mounting Mounting bracket, at device: Screw type Type of mounting device: Turning, 360°, Adjustable, Clampable Material: Metal, Stainless steel
	50128380	BTU 460M-D12	Mounting system	Design of mounting device: Mounting system Fastening, at system: For 12 mm rod Mounting bracket, at device: Screw type Type of mounting device: Adjustable, Turning, 360° Material: Metal
	50119331	BTU 900M-D12	Mounting system	Contains: 2x position washers, 2x M4 x 10 screw Design of mounting device: Mounting system Fastening, at system: For 12 mm rod, Sheet-metal mounting Mounting bracket, at device: Screw type Type of mounting device: Clampable, Turning, 360°, Swiveling Material: Metal
	50120019	BTU 934M-D12-90	Mounting system	Pre-mounted with: TKA 30x46 reflector Design of mounting device: Mounting system Fastening, at system: For 12 mm rod, Sheet-metal mounting Mounting bracket, at device: Adhesive Type of mounting device: Turning, 360°, Clampable, Swiveling Material: Metal
	50119334	BTU D12M-D12-A090	Mounting system	Design of mounting device: Mounting system Fastening, at system: Through-hole mounting, For 12 mm rod, Square rod 10 mm Mounting bracket, at device: For 12 mm rod, Square rod 10 mm, Through-hole mounting Type of mounting device: Rigid Material: Metal
	50119333	BTU D12M-D12-B090	Mounting system	Design of mounting device: Mounting system Fastening, at system: For 12 mm rod, Through-hole mounting Mounting bracket, at device: Clampable Type of mounting device: Rigid, Clampable, Turning, 360° Material: Metal
	50117490	BTU D18M-D12	Mounting system	Design of mounting device: Mounting system Fastening, at system: Through-hole mounting Mounting bracket, at device: Screw type Type of mounting device: Clampable, Adjustable, Turning, 360° Material: Metal
	50026204	UMS 96	Mounting system	Design of mounting device: Mounting system Fastening, at system: For 10 mm rod, For 12 mm rod, For 14 mm rod, For 16 mm rod Mounting bracket, at device: Clampable Type of mounting device: Turning, 360°, Adjustable Material: Metal
	50027191	UMS 96-82	Mounting system	Design of mounting device: Mounting system Fastening, at system: For 10 mm rod, For 12 mm rod, For 14 mm rod, For 16 mm rod Mounting bracket, at device: Clampable Type of mounting device: Turning, 360°, Adjustable Material: Metal

Part no.: 50132567 – BTU D12M-VKT-90 – Rod mounting

	Part no.	Designation	Article	Description
	50080334	UMS 96-95	Mounting system	Design of mounting device: Mounting system Fastening, at system: For 10 mm rod, For 12 mm rod, For 14 mm rod, For 16 mm rod Mounting bracket, at device: Clampable Type of mounting device: Turning, 360°, Adjustable Material: Metal

Note

A list with all available accessories can be found on the Leuze electronic website in the Download tab of the article detailed page.