



### Model Number

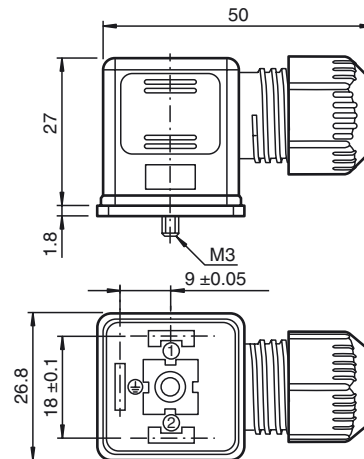
**VMA-2+P/D2**

Valve connector Form A, non pre-wired

### Features

- Valve connector according EN 175301-803 A/ISO 4400 (previously DIN 43650)
- Built-in LED, as operating and function indicator
- Freely selectable cable outlet due to rotating insert
- Seal included in the scope of delivery

### Dimensions



### Technical data

#### General specifications

Number of pins	2 + PE
Connection 1	Valve connector DIN
Construction type 1	right angle

#### Indicators/operating means

LED red	Operating display
---------	-------------------

#### Electrical specifications

Operating voltage	$U_B$	24 V DC
Operating current		max. 16 A
Volume resistance		< 10 m $\Omega$

#### Ambient conditions

Ambient temperature	-40 ... 90 °C (-40 ... 194 °F)
---------------------	--------------------------------

#### Mechanical specifications

Degree of protection	IP67
Connection	Valve connector Form A Screw terminals for 0.75 mm <sup>2</sup> ... 1.5 mm <sup>2</sup> M16 cable gland

Material	
Contacts	CuZn ; CuSn
Contact surface	CuSn
Body	PA, transparent
Seal	NBR
Cable	
Sheath diameter	4 ... 9 mm

### Electrical connection

