



Figure similar

SAFETY POSITION SWITCH WITH SEPERATE ACTUATOR MOLDED PLASTIC ENCLOSED SHORT ENCLOSURE, 3X (M20X1.5), LATERAL AND FRONTAL OPERATION,SLOW-ACTION CONTACT 1NC, EXTRACTION FORCE 5N DELIVERY WITHOUT ACTUATOR

Product designation		safety position switch
General technical data:		
Protection class IP		IP65
Equipment marking		B
<ul style="list-style-type: none"> • acc. to DIN EN 61346-2 • acc. to DIN EN 81346-2 		B
Active principle		mechanical
Explosion protection category for dust		none
Explosion protection category for gas		none
Enclosure:		
Design of the housing		wide
Material of the enclosure		glass fiber reinforced thermoplast
Coating of the enclosure		Other types
Design of the housing acc. to standard		No
Drive Head:		
Design of the operating mechanism		without
Design of the switching function		positive opening
Connections/ Terminals:		
Type of electrical connection		screw-type terminals
Communication/ Protocol:		
Design of the interface		without
Ambient conditions:		
Ambient temperature		

- during operation

°C -30 ... +85

Installation/ mounting/ dimensions:

Mounting type screw fixing

Certificates/ approvals:

General Product Approval	Declaration of Conformity	Shipping Approval
--------------------------	---------------------------	-------------------



Shipping Approval	other
-------------------	-------



[Confirmation](#)

[other](#)

Further information

Information- and Downloadcenter (Catalogs, Brochures,...)

<http://www.siemens.com/industrial-controls/catalogs>

Industry Mall (Online ordering system)

<http://www.siemens.com/industrymall>

Cax online generator

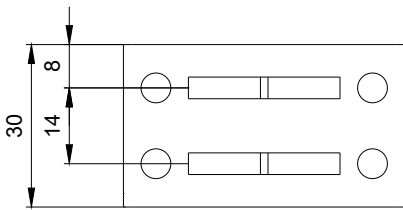
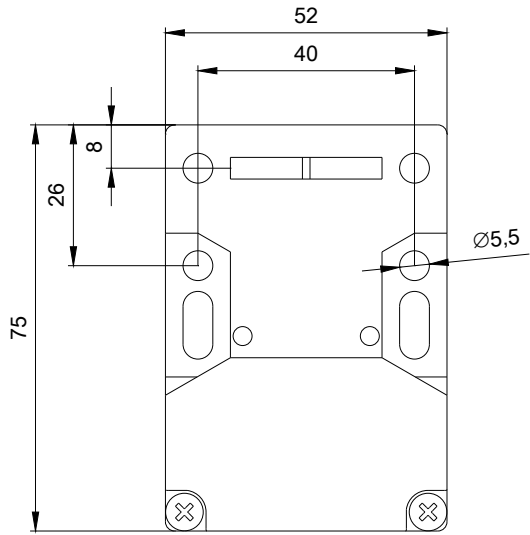
<http://support.automation.siemens.com/WW/CAXorder/default.aspx?lang=en&mlfb=3SE22576XX40>

Service&Support (Manuals, Certificates, Characteristics, FAQs,...)

<http://support.automation.siemens.com/WW/view/en/3SE22576XX40/all>

Image database (product images, 2D dimension drawings, 3D models, device circuit diagrams, EPLAN macros, ...)

http://www.automation.siemens.com/bilddb/cax_de.aspx?mlfb=3SE22576XX40&lang=en



last modified:

16.03.2015