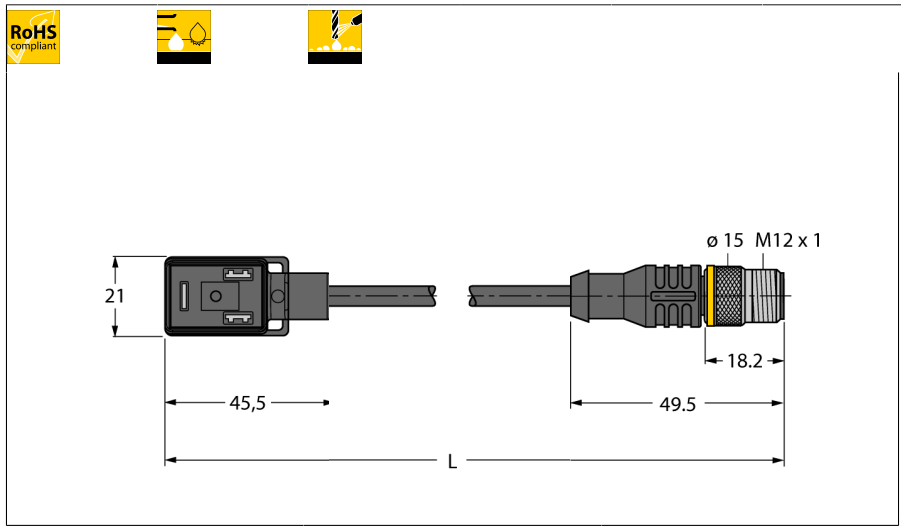


Valve connector BI type
Extension Cable
VIS02-S80E-0,3-RSC5.31T/TEL

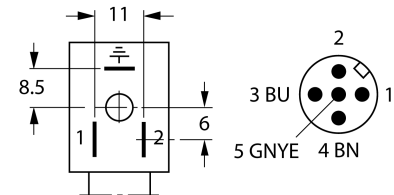


- 2-pin + PE
- Design according to the DIN EN 175301-803
- RoHS conform
- Protection class: IP67 and IP69K
- Protective component: Transil diode
- M12 male, straight, 2-pin + PE
- Sheath material: PVC
- Sheath color: black
- Resistant to chemicals and oils
- Flame retardant
- Resistant to acids and alkaline solutions
- Resistant to microbes and hydrolysis
- LABS-free
- Cable length: 0.3 m

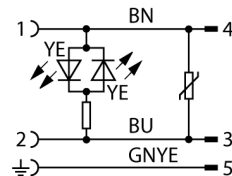
| | |
|-------------------------|-----------------------------|
| Type designation | VIS02-S80E-0,3-RSC5.31T/TEL |
| Ident no. | 6606860 |

| | |
|-------------------------|---------------------------------|
| Connector A side | Valve connector, Design BI |
| Number of pins | 2+PE |
| Contacts | Metal, CuSn, Silver-plated |
| Contact carriers | Plastic, PA, Black |
| Grip | Plastic, TPU, Black/Translucent |
| Protective component | Transil diode |
| Seal | Plastic, TPU |
| Protection class | IP67, IP69K, (mounted) |
| Display switch state | LED yellow/yellow |
| Mechanical lifespan | > 100 Mating cycles |
| Pollution degree | 3 |

Pin Assignment



Circuit Diagram



| | |
|-------------------------|--------------------------------------|
| Connector B side | Connector, M12 x 1, Straight |
| Number of pins | 2+PE pins |
| Contacts | metal, CuZn, Gold-plated |
| Contact carriers | Plastic, TPU, Black |
| Grip | Plastic, TPU, Black |
| Coupling nut/screw | Brass, CuZn, Nickel-plated |
| Protection class | IP67, IP69K, Only when screwed tight |
| Mechanical lifespan | > 100 Mating cycles |
| Pollution degree | 3 |
| Tightening torque | 0.8 ... 1 Nm |

| | |
|------------------------|-----------------------|
| General data | |
| Cable diameter | 5.3 ± 0.20mm |
| Cable length | 0.3 m |
| Cable quality | PVC |
| Cable color | Black |
| Core insulation | PVC |
| Core colors | BN, BU, GNYE |
| Core cross-section | 3x0.34mm ² |
| Arrangement of strands | 19x0.15 mm |

| | |
|--------------------------------------|--------------|
| Electrical features at +20 °C | |
| Current | 4 A |
| Rated voltage | 24 V |
| Insulation resistance | > 1 MΩ/km |
| Test voltage | 2000 V |
| Forward resistance | max. 57 Ω/km |

Valve connector BI type
Extension Cable
VIS02-S80E-0,3-RSC5.31T/TEL

Mechanical and chemical properties

| | |
|------------------------------------|--------------|
| Bending radius (stationary laying) | > 5 x Ø |
| Bending radius (flexible use) | > 10 x Ø |
| Ambient temperature | |
| Stationary | -40...+105°C |
| In motion | 0...+80°C |