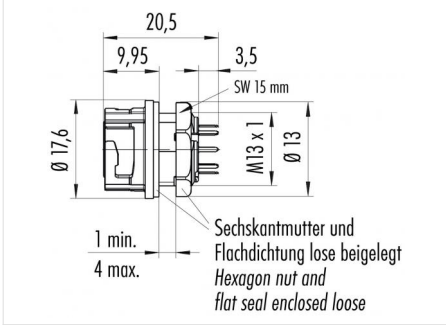


Product	<b>Contacts: 8, Female panel mount connector, dip-solder</b>
Area	<b>Bayonet NCC Series 770</b>
Article number	<b>09 0774 090 08</b>

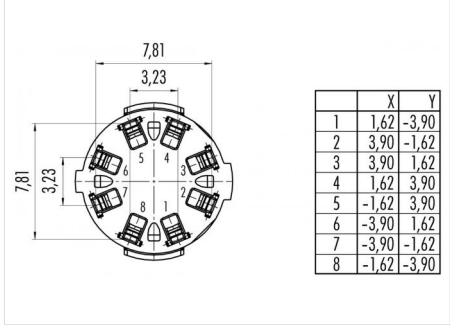
**Illustration**



**Scale drawing**



**Contact Arrangement**



You can find the item description and assembly instruction on the next page.

**Technical data**

**Common values**

Connector Design	Female panel mount connector
Connector locking system	Bayonet
Termination	dip-solder
Wire gauge (mm)	0.25 mm <sup>2</sup>
Wire gauge (AWG)	max. 24
Upper temperature	85 °C
Lower temperature	-25 °C

**Electrical values**

Rated voltage	175 V
Rated impulse voltage	1750 V
Pollution degree	2
Overvoltage category	II
Material group	II
Rated current (40°C)	2 A
Volume resistivity	≤ 15 mΩ
EMV compliance	-
Degree of protection	IP67 auch ungesteckt
Mechanical operation	> 5000 mating cycles

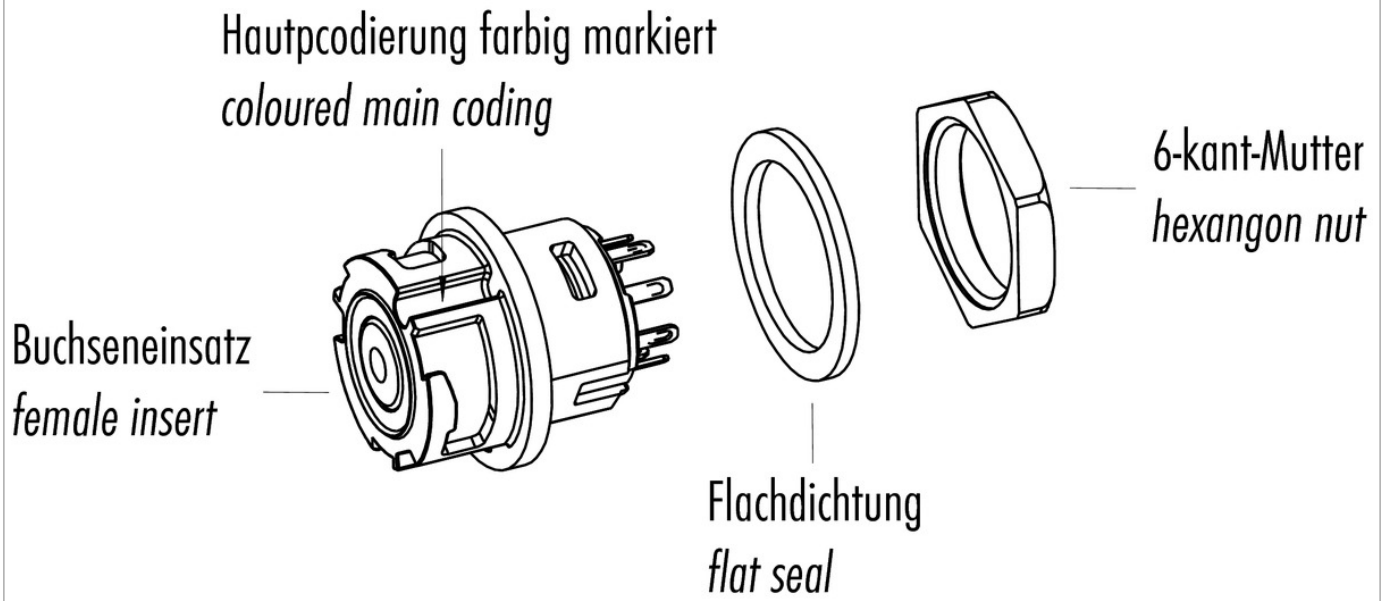
**Material**

Material of contact	CuSn (Bronze)
Contact plating	Au (Gold)
Material of contact body	PA (UL 94 V-0)
Material of housing	PA (UL 94 HB)

Product **Contacts: 8, Female panel mount connector, dip-solder**

Area **Bayonet NCC Series 770**  
Article number **09 0774 090 08**

Item description



Installation instructions / Mounting cutout

