

**GREENHAM PRODUCT SPECIFICATION - PRODUCT CODE 304010**

**Product Identification**

Supplier Name	Wan Hin Industrial Supplies Ltd.	Supplier Product Reference	304010
Factory of manufacture		Product brief description	Leather palm cotton chrome
DATE/ISSUE: of SPEC SHEET		Barcode on pack	N
Supplier contact	Harding Yu	Barcode on product	Y

**PRODUCT Identification**

Traceability (bundle)	12 pairs	Traceability (product)	batch no on each carton
Traceability (carton)	300 pairs	Supplier number stated	say where
Order number product	Y	Order number on carton	Y
Test results to be included	N	Date stamp	Y

WEEE Compliance	N	RoHS Compliance	N
REACH Compliance	N	OekoTex compliant	N

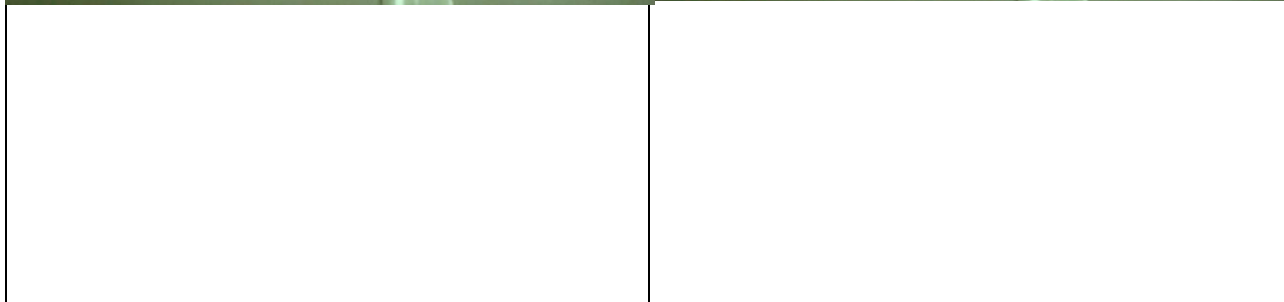
**Minimum Standards required**

CE, for minial risk only.

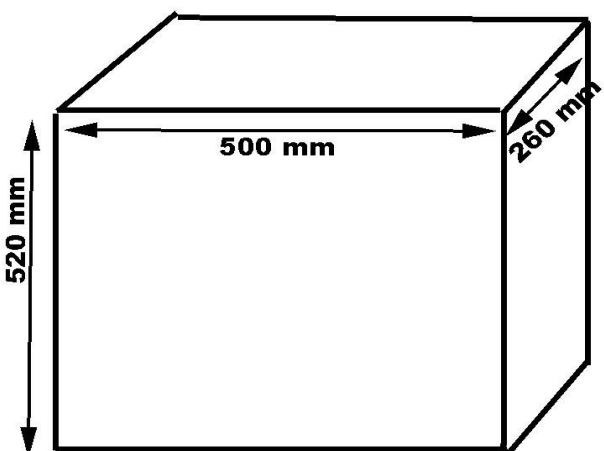
**Product Description/Features**

Men's size 9, Chrome leather palm with cotton back, striaght thumb, knitted wrist.

**Product Pictures (Front / Back / Inside)**



**GREENHAM PRODUCT SPECIFICATION - PRODUCT CODE 304010**

Line drawing / Dimension drawing	Product Details	
	Product Dimensions (use diagrams as necessary)	
	carton quantity pieces	300 pairs
	carton Dimensions (mm)	500 X 260 X 620 MM
	carton Net weight (kg)	20 KGS
	carton Gross Weight (kg)	19 KGS
	inner pack quantity	12 pairs
	inner pack net weight	0.76 kgs ( 12 pairs )
	inner pack gross weight	0.78 kgs ( 12 pairs )
	Single Unit Weight (kg)	0.06 kgs
	<b>Material thickness (if applicable) (mm) or GSM</b>	
	Material 1	Leather 0.8mm - 1.1mm
	Material 2	Cotton in around 150-160gsm
	Material 3	
	<b>Manufacturing Tolerances</b>	
	Dimensions (mm)	palm width 12.5cm +/-0.5cm
Net weight (kg)	0.003 kgs	
Gross Weight (kg)	0.003 kgs	

Packaging Details			
Packing description			
DESCRIBE WHAT KIND OF PACKING TO BE USED, INFORMATION TO APPEAR ON INNER PACKING AND OUTER PACKAGING AND MATERIALS TO BE USED			
Packing materials used per carton -state weight and size per material			
Carton	Cardboard	Plastic	String
Weight (kg)	1 kg	90 g	N
Dimension (mm)			
No. products per carton	1		

Packing Specification			
Selling unit	greenham to complete	Layer Quantity	greenham to complete
Inner pack Qty	12 pairs	Pallet Quantity	greenham to complete
Carton Quantity	300 pairs	Container qty 20ft	
		Container qty 40ft	

**GREENHAM PRODUCT SPECIFICATION - PRODUCT CODE 304010**

**Product specific Requirements**




**Additional Product information**

DESCRIBE WHAT LABELS, HANGTAGS, WASHING INSTRUCTIONS, USER GUIDES, OPERATING INSTRUCTIONS, PLUG TYPE ETC ARE TO BE INCLUDED AND WHAT MATERIALS TO BE USED - USE ATTACHEMENTS AND FABRIC SWATCHES WHERE NECESSARY- insert copies electronically preferred

**Labelling**

**MEN'S C/C**  
**STYLE NO.304010**  
  
**5 050747 004200**  
**CE MADE IN CHINA**

**Labelling**

 Style: 304010 Size: MEN'S Ref: 990054   For minimal risks only. Nur bei minimalen gefahren. Til brug ved minimal risiko.	<p align="center"><u>INSTRUCTIONS FOR USE</u></p> a) It is recommended to check that the gloves Are suitable for intended use. b) Put the gloves on clean,dry hands c) Inspect gloves before reusing them i.e. d) Washing of the gloves is not recommended
	<p align="center"><u>STORAGE</u></p> a) Ideally stored at 5°C-30°C. b) This product is not to be stored in direct Sunlight.
	<p align="center">STYLE :304010</p>  5 050747 004200

**Materials**

plain PVC Polybag (12 pairs )

**Materials**

**Materials**

Carton (for 300 pairs ) Paper

**Materials**

**GREENHAM PRODUCT SPECIFICATION - PRODUCT CODE 304010**

--	--

**Product Performance / Endurance Criteria (OFFICE USE ONLY)**

Material	Test Details	Acceptance Criteria	Tolerance

**General Comments**

DESCRIBE ANY SUPPLIER ISSUES OR PRODUCT ISSUES THAT MAY POTENTIALLY ARISE OR HAVE ARISEN IN THE PAST IN ORDER I.E. CHROME LEATHER OVERTREATMENT, POOR LABELLING, INCORRECT WIRING ETC

<b>Authorised by:</b>	
<b>Import Department</b>	
<b>QA/QC</b>	
<b>Product Sponsor</b>	