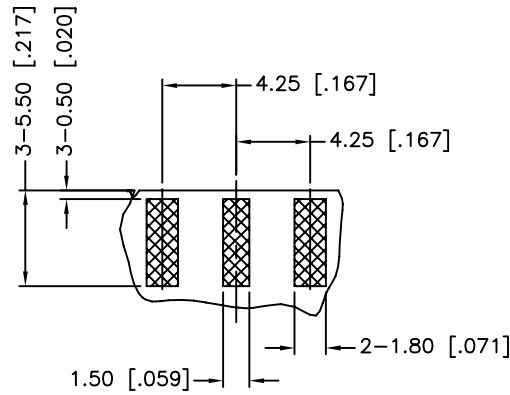
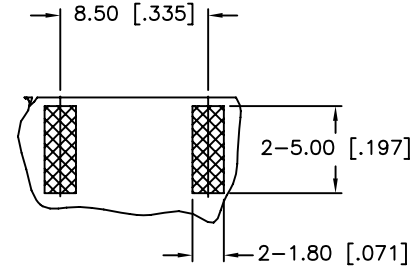


REV.	DATE	ECR NO.	DESCRIPTION
NC	03/25/10	XXXXXX	INITIAL RELEASE
A	04/06/10	2033	PCB LAYOUT DIMENSIONS CHANGED

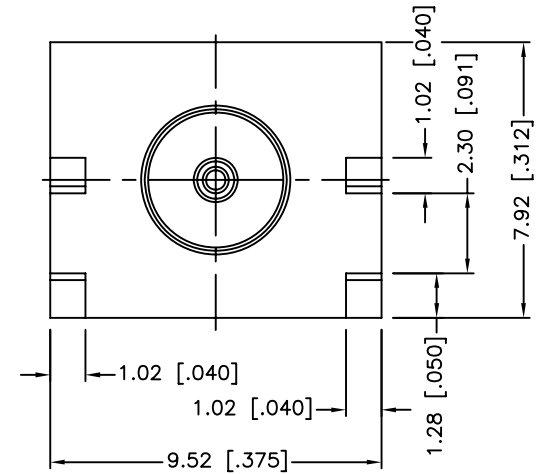
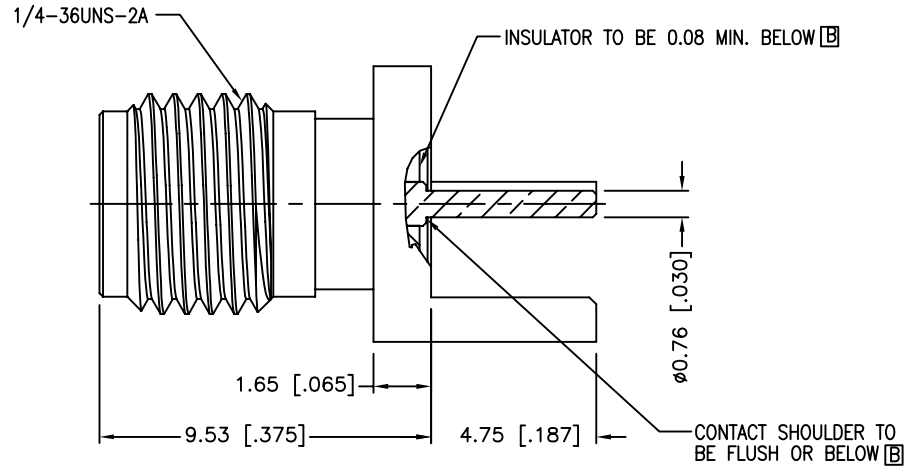


TOP VIEW

RECOMMENDED PCB LAY OUT



BOTTOM VIEW



DESCRIPTION	MATERIAL	FINISH	QTY	
7			1	
6			1	
5			1	
4			1	
3	CONTACT PIN	BERYLLIUM COPPER	GOLD	1
2	INSULATOR	PTFE	NATURAL	1
1	BODY	BRASS	GOLD	1

UNLESS OTHERWISE SPECIFIED DIMENSIONS ARE IN MILLIMETERS. DIMENSIONS IN [] ARE IN INCHES AND FOR CUSTOMER REFERENCE ONLY.

UNLESS OTHERWISE SPECIFIED TOLERANCES FOR MILLIMETERS ARE:
0.5 - 8mm ± 0.20mm
8 - 30mm ± 0.40mm
30 - 120mm ± 0.50mm

UNLESS OTHERWISE SPECIFIED TOLERANCES FOR INCHES ARE:
.020 - .315 ± 0.007"
.315 - 1.180 ± 0.015"
1.180 - 4.724 ± 0.020"

DO NOT SCALE DRAWING

APPROVALS	DATE
DRAWN C.WANG	04/06/10
CHECKED	
ISSUED	
SHEET 1 OF 1	
CAD FILE	C:/CONNEX/132255-11.DWG

Amphenol Connex

PART DESCRIPTION
**SMA END LAUNCH RECEPT. JACK
(FOR .085" THICK PCB)**

PART NO. **132255-11**

DWG. NO. 132255-11.DWG REV. A SIZE A SCALE NA