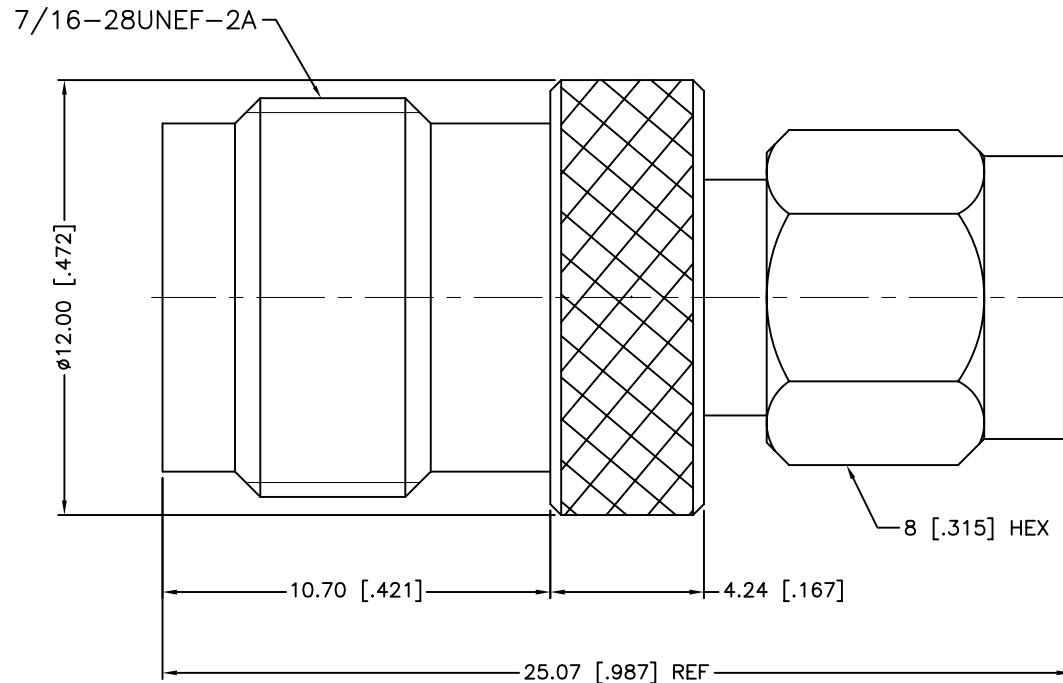
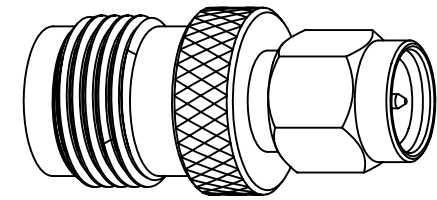


| REV. | DATE | ECR NO. | DESCRIPTION |
|------|----------|---------|-----------------------|
| NC | 05/03/12 | 2309 | UPDATE DRAWING FORMAT |



1. IMPEDANCE: 50 OHM
2. FREQUENCY RANGE: DC 0-11 GHz
3. DIELECTRIC WITHSTANDING VOLTAGE: 1000 VRMS, MIN.
4. DURABILITY: 500 CYCLES MIN.
5. TEMPERATURE RANGE: -65°C TO +165°C

| 6 | SHELL | BRASS | NICKEL | 1 |
|-------------|---------------|----------|---------|---|
| 5 | GASKET | SILICONE | RED | 1 |
| 4 | RETAINER RING | SUS 304 | NATURAL | 1 |
| 3 | CONTACT PIN | BRASS | GOLD | 1 |
| 2 | INSULATOR | PTFE | NATURAL | 1 |
| 1 | BODY | BRASS | NICKEL | 1 |
| DESCRIPTION | MATERIAL | FINISH | QTY | |

| | | | |
|--|--|---------------------------------|----------|
| UNLESS OTHERWISE SPECIFIED DIMENSIONS ARE IN MILLIMETERS. DIMENSIONS IN [] ARE IN INCHES AND FOR CUSTOMER REFERENCE ONLY. | | APPROVALS | DATE |
| UNLESS OTHERWISE SPECIFIED TOLERANCES FOR MILLIMETERS ARE: 0.5 - 8mm ± 0.20mm 8 - 30mm ± 0.40mm 30 - 120mm ± 0.50mm | | DRAWN I.XU | 05/03/12 |
| UNLESS OTHERWISE SPECIFIED TOLERANCES FOR INCHES ARE: .020 - .315 = ± 0.007" .315 - 1.180 = ± 0.015" 1.180 - 4.724 = ± 0.020" | | CHECKED | |
| DO NOT SCALE DRAWING | | ISSUED | |
| | | SHEET 1 OF 1 | |
| | | CAD FILE C:/CONNEX/242124RP.DWG | |

| | | | |
|----------------------------|------|------|-------|
| <h1>Amphenol Connex</h1> | | | |
| PART DESCRIPTION | | | |
| SMA MALE TO TNC RP ADAPTOR | | | |
| PART NO. | | | |
| 242124RP | | | |
| DWG. NO. | REV. | SIZE | SCALE |
| 242124RP.DWG | A | A | NA |