

MRI 58A

MRI 58B

Magnetic Rotary Incremental Encoder



INCREMENTAL

- 58 mm case diameter
- 4 - 8 - 16 - 20 - 25 - 32 - 40 - 50, 64 - 80 - 100 - 125 - 128 - 160 - 200 - 250 - 256, 400 - 500 - 512 - 800 - 1000 - 1024 ppr.
- Push-Pull, TTL, Linedriver, Highlinedriver output
- Rod diameter 6 - 8 - 10 mm
- 3500 rpm max.



MRI A
Clamping flange

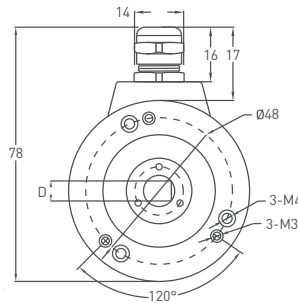
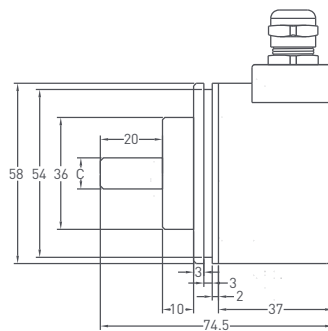


MRI B
Senkro flange

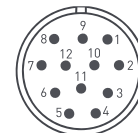
Technical Specifications

Type of measurement	Magnetic incremental non-contact
Resolution	4 - 1024 ppr.
Output channels	A, B, Z or A, \bar{A} , B, \bar{B} , Z, \bar{Z}
Output type	TTL, Linedriver, Push-Pull, Highlinedriver
Power supply	5 VDC, 5-24 VDC or 8-24 VDC
Power consumption (without load)	<40 mA (24 VDC)
Electrical connection	2,5 meter cable (standard)
Max. permissible shaft loading : Radial	60 N
: Axial	40 N
Displacement speed	3500 rpm
Rod diameter	Ø6 - 8 - 10 mm
Rod material	Stainless steel
Case dimensions	Ø58 mm
Case material	Aluminium / Steel
Protection level	IP 54
Operating temperature	-20°C ... +80°C
Storage temperature	-30°C ... +90°C

Mechanical Specifications



A Type (Clamping flange)



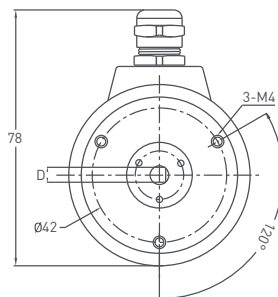
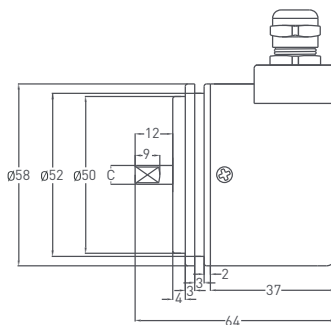
C12 Type connector
Please ask for connection details

Push-Pull Cable Output

- +V : Brown
- 0V : White
- GND : Shield
- Ch A : Yellow
- Ch B : Green
- Ch Z : Gray

TTL - HLD - Linedriver Cable Output

- +V : Brown
- 0V : White
- GND : Shield
- Ch A : Yellow
- Ch B : Green
- Ch Z : Gray
- Ch A inv : Blue
- Ch B inv : Red
- Ch Z inv : Pink



B Type (Synchro flange)

MRI 58	A (shaft)		B (shaft)	
	C	D	C	D
	Ø6 mm	5 mm	Ø6 mm	5 mm
	Ø8 mm	7 mm	Ø8 mm	7 mm
	Ø10 mm	9 mm	Ø10 mm	9 mm

Ordering Procedure

Model	Case diameter	Case type	Rod diameter	Output type	Resolution	Output signal	Power supply	Cable	Cable output
MRI	58 mm	A	8	HLD	512	Z	V2	2M5	R
MRI	58 mm	A : Clamping flange AW : Watertight B : Synchro flange BW : Watertight	R6 : 6mm R8 : 8mm R10: 10mm	LTD : Push-Pull LD : Linedriver HLD : High Linedriver TT : TTL	4 - 1024 ppr.	Z : A, B, Z B : A, B Z \bar{Z} : A \bar{A} , B \bar{B} , Z \bar{Z}	V1 : 5 VDC V2 : 8 - 24 VDC V3 : 5 - 24 VDC	2M5 : 2,5 meter cable 5M : 5 meter cable 8M : 8 meter cable 10M : 10 meter cable	R : Radial A : Axial

The above technical datas are for information only. OPKON has the right for changing without any notifications.