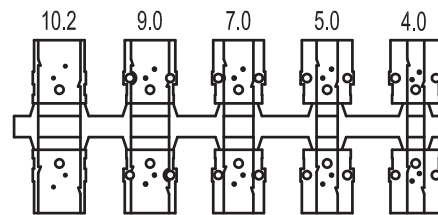
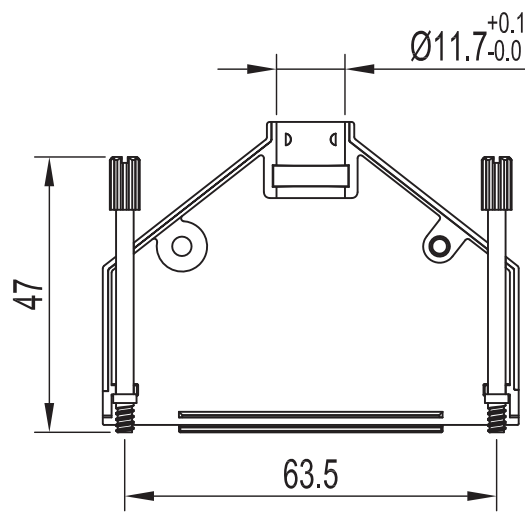
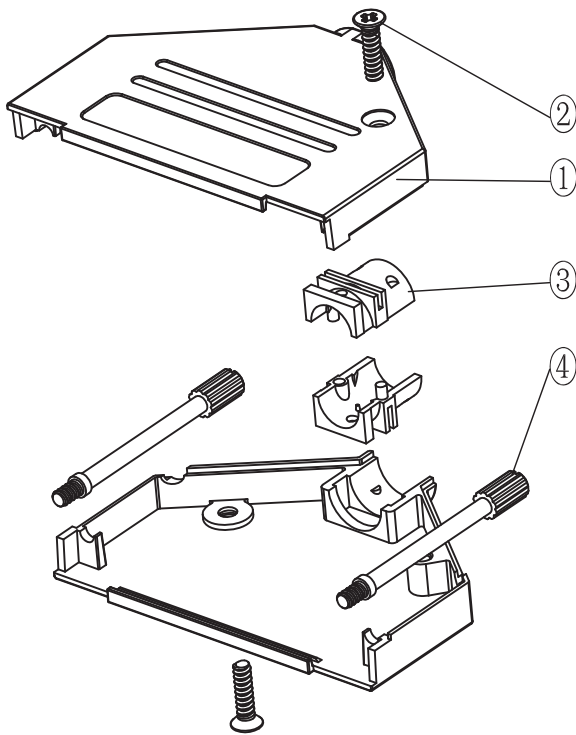
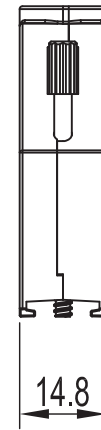
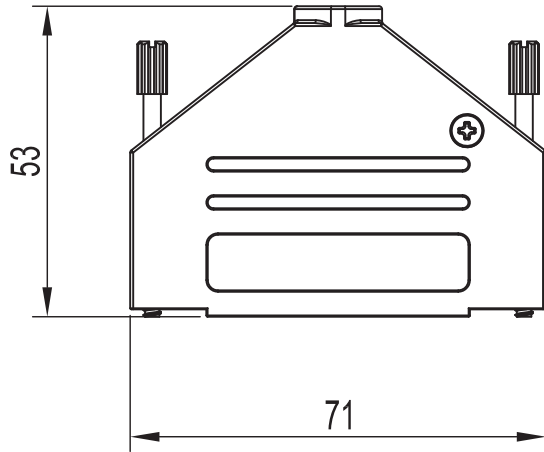


No.	Changes and/or Note No.	Date	Intr	No	Changes and/or Note No.	Date	Intr



Grommet Set

Part Number:	Description:	Pack:	Item	QTY	Part description
6560-0105-04	DTZK37-K	Kit	1	2	DTZK37 Cover
6561-0105-04	DTZK37	Bulk	2	2	M3X12 Countersunk screw
			3	1	D45ZK-D2 Grommet set
			4	2	UNC 4-40X47 Jackscrew
DATE: 2011-12-12	DRAWN: MRR	SCALE:	MATERIAL TYPE:		GENERAL TOLERANCES UNLESS OTHERWISE STATED LINEAR 0 ±0.2 0.0 ±0.15 0.00 ±0.1 ANGULAR ±0°30' ALL DIMENSIONS IN mm THIRD ANGLE PROJECTION
	APPROVED:		REPLACES:		
			<b>DTZK-SERIES</b>		
			DRAWING No:		6688-9563