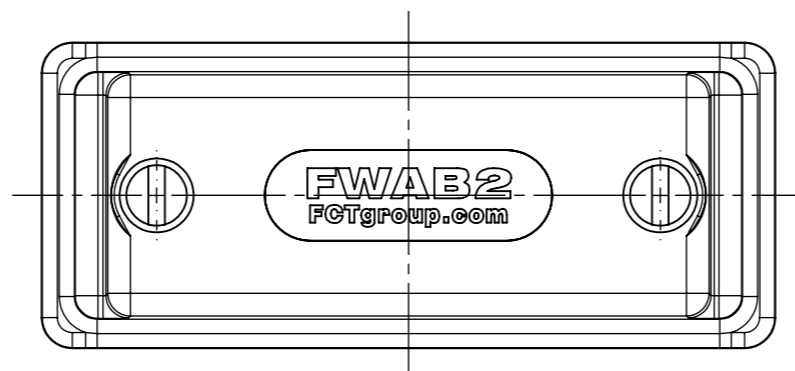
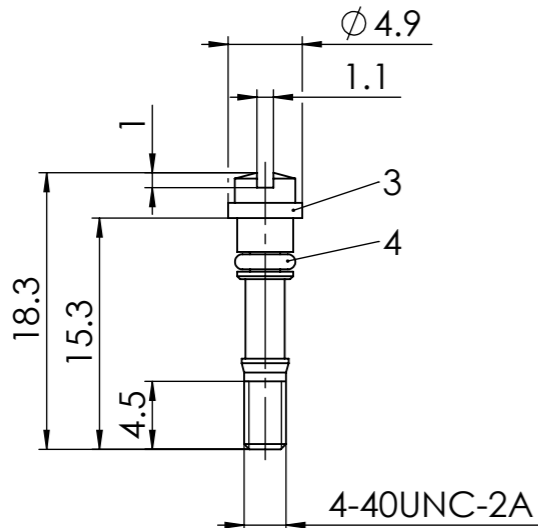
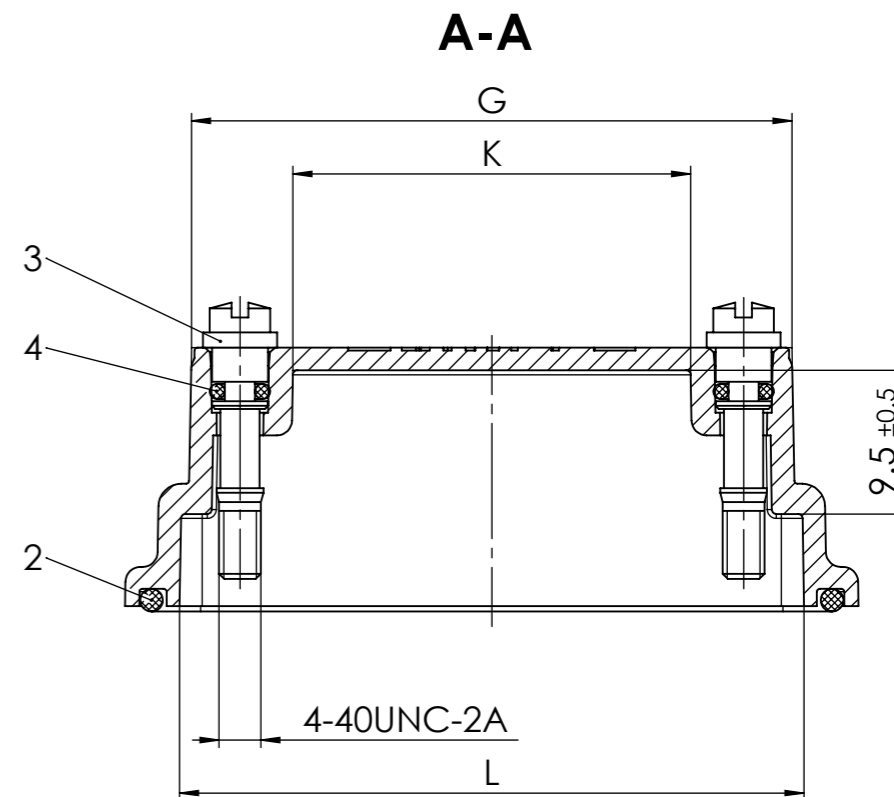
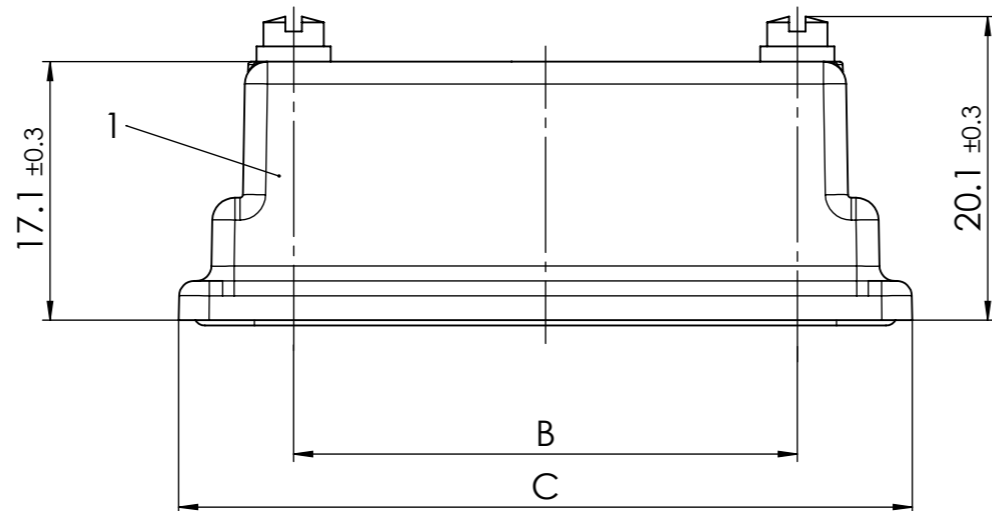
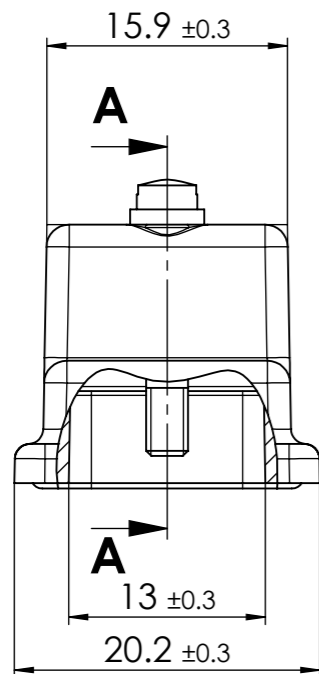
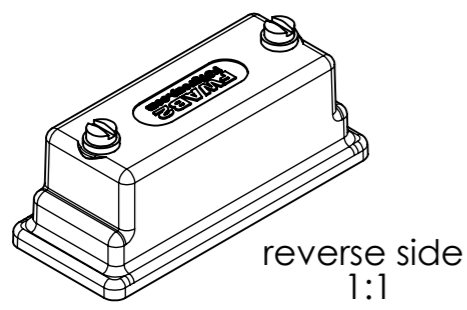


Order-No.	Shell Size / for No. of Contacts	B ±0.1	C ±0.3	G ±0.3	K ±0.3	L ±0.3
FWAB1	1 / 9	25	40.3	31.4	18	32.6
FWAB2	2 / 15	33.3	48.5	39.7	26.3	41.3
FWAB3	3 / 25	47	62.3	53.5	40	55.1

②



RoHS compliant



max. torque are 40 Ncm  
 Protection standard IP67, 100% checked according to DIN EN 60529

No.	St.	Part	Type	Description/Material	Surface plating/Colour/Class
4	2	FVSW - O-ring seal	Elastomer		red
3	2	Locking screw	FVSW1/5-K1449 4-40 / Brass		nickel plated
2	1	O-ring seal	Elastomer		red
1	1	Plastic dust cup	FWAB1-3 / PC+ABS		black

DRAWN	ameyerrichte	SCALE	2:1	TITLE	Plastic dust cup waterproof			
	29-01-2015							
	CHECKED					ameyerrichte		
2	24.08.2015	23801			DWG.NO.	FWAB1-3	REV.	2
1					REPLACEMENT FOR:			PAGES

COMMENT: ALL RIGHTS ARE RESERVED BY US FOR THIS DRAWING. WITHOUT OUR PRIOR CONSENT, IT MAY NEITHER BE DUPLICATED NOR MADE AVAILABLE TO A THIRD PARTY. AND IT ALSO MAY NOT BE IMPROPERLY USED BY THE RECEIVER, OR A THIRD PARTY.