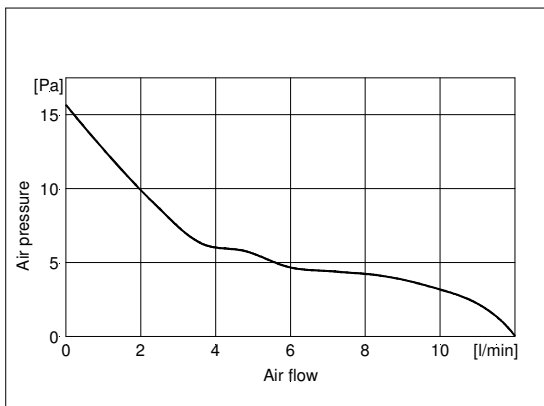


MF15B05 Series

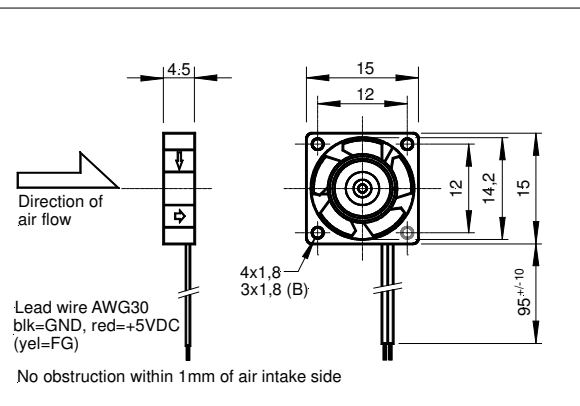
HIGH PERFORMANCE FAN



AIR PERFORMANCE



SHAPE AND DIMENSION



PERFORMANCE

CE	MF15B05-008	MF15B05A-00x
Operating voltage [VDC]	4.5 ... 5 ... 5.5	
Typ. operating current [mA]	70	
Max. start current [mA]	200	
Max. air flow [l/min-m ³ /h]	12 – 0.72	
Max. air pressure [Pa-mmH ² O]	15.7 – 1.6	
Typ. noise (1m dist. from air intake side) [dB(A)]	11	
Typ. rotor speed [RPM]	13000	
FG output [PPR]	-	3
Operating temperature [°C]	-10 ... +80	
Life expectancy L10/MTBF@ 40 °C [h]	40000/210000	
Bearing system	Magfix sleeve Bearing	
Weight [g]	1	
Standard packing quantity [Pc.]	50-100-500-1000	

This **SEPA**[®] high-tech miniature fan is suitable for industrial or automotive use and has a remarkable air flow performance despite its small dimensions. Thanks to the extremely low power input of a mere 0.35 W, this fan is highly suitable for battery-operated devices. It is permanently protected electrically against reverse polarity, blocking and thermal overloading. Due to the low rotor weight and precision balancing, it is virtually vibration-free. It is also insensitive to shock.

Further features of this fan are its extremely robust and torsionally stiff plastic housing of PBT, of special steel, polyester-based PCB and absolute reliability due to a 100% burn-in.

Technical changes without notice • 05/17

MF15B05 Series HIGH PERFORMANCE FAN



• ALARM SIGNAL (Optional)

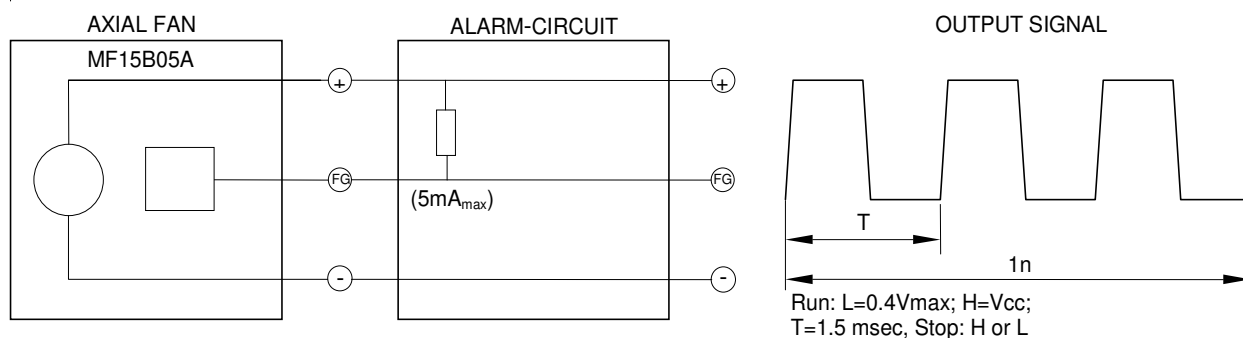
The **SEPA**® fan MF15B05A includes a pulse output, which allows monitoring the correct function of the fan.

The pulse is like a rectangular wave, the frequency correlates to 3x rotor speed. The amplitude is about 5V_{ss} and appears periodically. At blocked rotor the output signal could be L ($\leq 0,4V$) or H (5 V).

IMPORTANT: The pulse output is not protected against short circuit and must not connect to GND or Vcc without pre-resistor. A pull-up-resistor is needed. Do not connect not used pulse output (insolate).

The fans MF15B05 and MF17B05A have tinned lead wire ends (without connector).

Do not touch the rotor! Please note the handling specification!



• ACCESSORIES:

Connector: on request

• ORDER INFORMATION (Delivery time on request)

MF15B05-008	SEPA ® Miniature fan, 15x15x4.5mm, 5VDC, sleeve bearing, CE	501511000
MF15B05A-00x	SEPA ® Miniature fan, 15x15x4.5mm, 5VDC, sleeve bearing, FG, CE	501511010

SEPA® is the brand name for fans and CPU-cooler, made by Nippon Keiki Works LTD., Tokyo

Technical changes without notice • 05/17