

# Hex Nut, M16



## Features

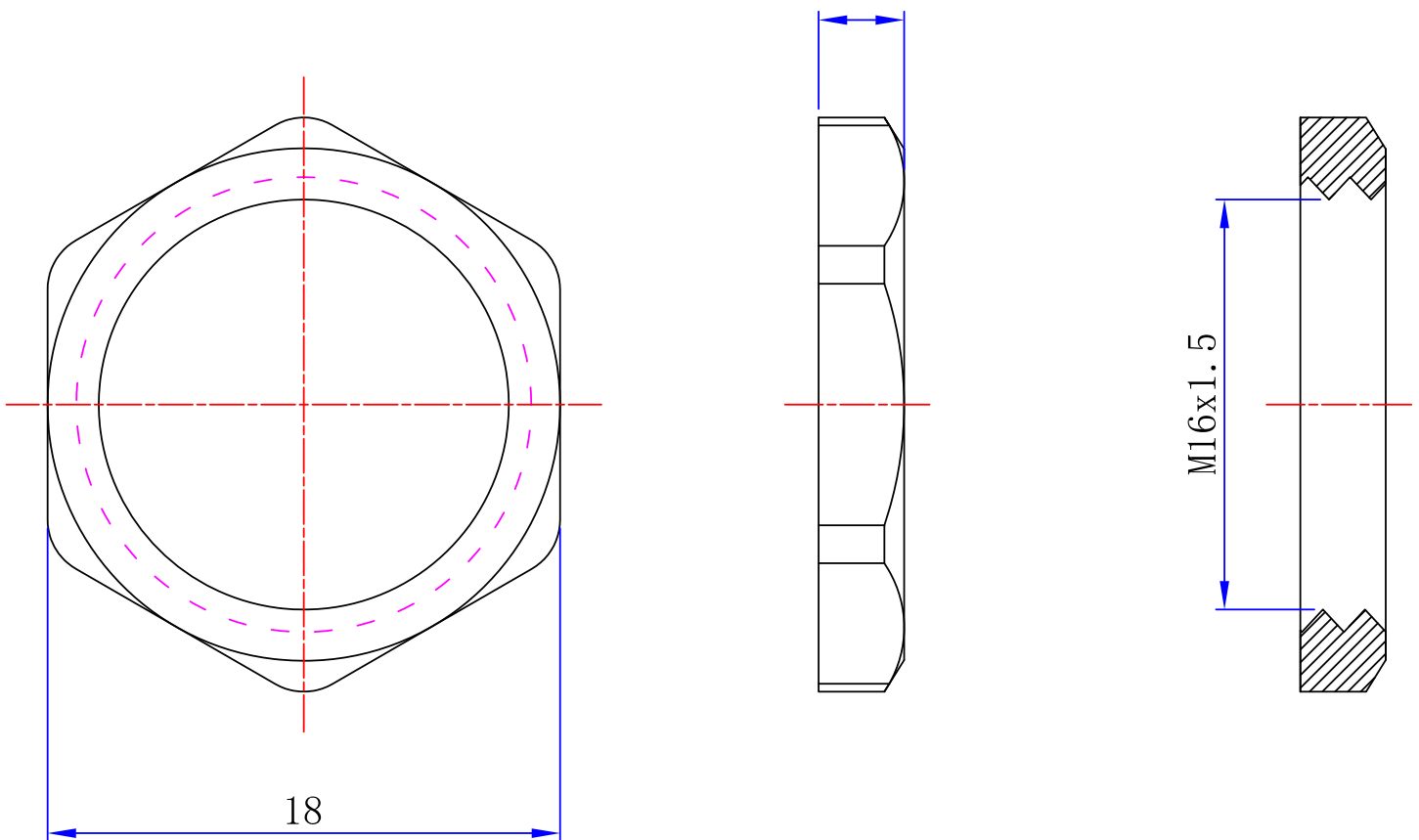
- The hexagonal shaped nut makes it easy to work with and is versatile - ideal for tight spots
- Ideal for use in construction and assembly
- RoHS compliant



## Specification

Material	Brass
Finish	Nickel
Size	M16 x 1.5

## Drawing



Art Nr.  
RND 205-01171