

A

B

C

D

E

F

G

H

I


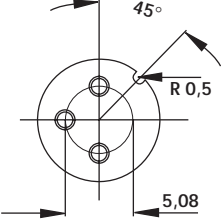
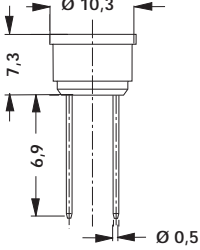

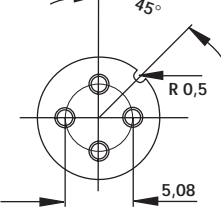
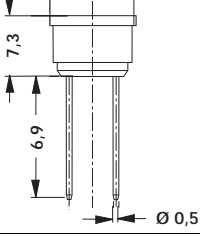

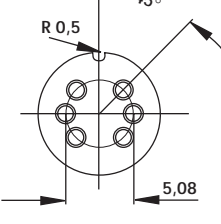
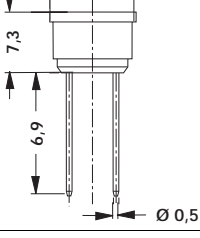

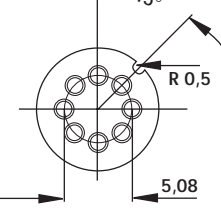
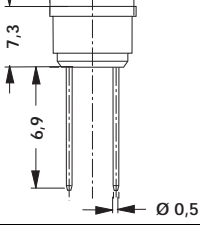
K

L

M


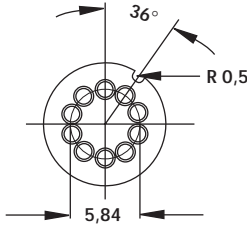
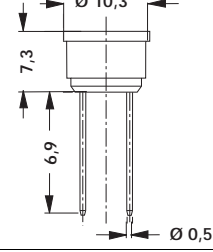

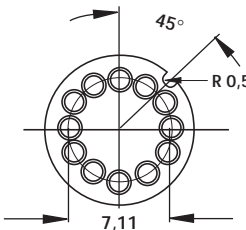
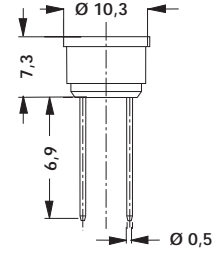
N

**Transistor sockets - teflon sockets for TO 5**

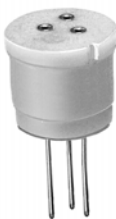
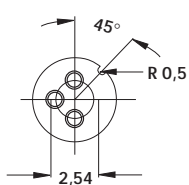
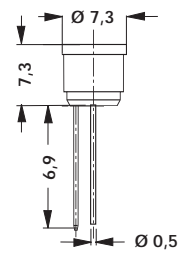

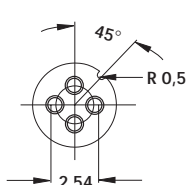
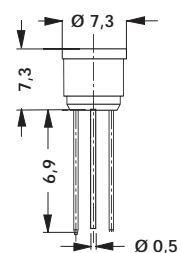
		
<b>art. no.</b>	no. of contacts	
<b>TF 53</b>	3	
		
<b>art. no.</b>	no. of contacts	
<b>TF 54</b>	4	
		
<b>art. no.</b>	no. of contacts	
<b>TF 56</b>	6	
		
<b>art. no.</b>	no. of contacts	
<b>TF 58</b>	8	

**contact shell and contact spring: gold-plated**
**F 23**
**Programmable headers**  
**Sockets for TO 5 and TO 3**  
**Sockets für PLCC**  
**Single contacts metal strip**
**→ F 25**  
**→ F 21 - 22**  
**→ F 19**  
**→ G 26**
**Jumper links**  
**Sockets for crystal oscillators**
**→ F 26**  
**→ F 30**

Transistor sockets - teflon sockets for TO 5

		
art. no.	no. of contacts	
TF 510	10	
		
art. no.	no. of contacts	
TF 512	12	

Transistor sockets - teflon sockets for TO 18

		
art. no.	no. of contacts	
TF 183	3	
		
art. no.	no. of contacts	
TF 184	4	

contact shell and contact spring: gold-plated