

MATERIAL

Glass-fibre reinforced polyamide based (PA) technopolymer, grey-black colour, matte finish.

BOSS CAP

Technopolymer in the Ergostyle colours, matte finish. Supplied, push-fit assembly, removable by a screwdriver.

Available also as accessory sold separately (see table ECB.).

| Code | Description | Boss cap for |
|---------|-------------|--------------|
| 29551-* | ECB.T1-* | ELC.67 |
| 29552-* | ECB.T2-* | ELC.85 |
| 29553-* | ECB.T3-* | ELC.110 |
| 29554-* | ECB.T4-* | ELC.140 |

* Complete with colour index (C1, ..., C17).

STANDARD EXECUTIONS

- **ELC**: black-oxide steel boss, H7 reamed hole, cap in the Ergostyle colours.
- **ELC-FC3**: black-oxide steel boss, H7 reamed hole, cap in RAL 7035 light grey colour, with arrow indicator.
- **ELC-SST**: AISI 303 stainless steel boss, H7 reamed hole, cap in the Ergostyle colours.
- **ELC-SST-FC3**: AISI 303 stainless steel boss, H7 reamed hole, cap in RAL 7035 light grey colour, with arrow indicator.

ACCESSORIES ON REQUEST

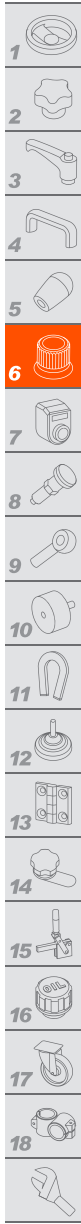
- Axial retaining washer GN 184 (see page 897).
- Ball and spring for clicking operation to be fitted into the two holes d3 drilled at 180° (see ball and spring MS. on page 621).

ERGONOMY

Rotations are performed smoothly and powerfully thanks to the heavy-duty arm of the lever, while the enlarged and sunken semispherical end offers an effective grip.

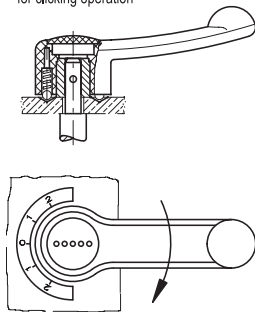
MANOEUVRE ANGLE LIMITATION

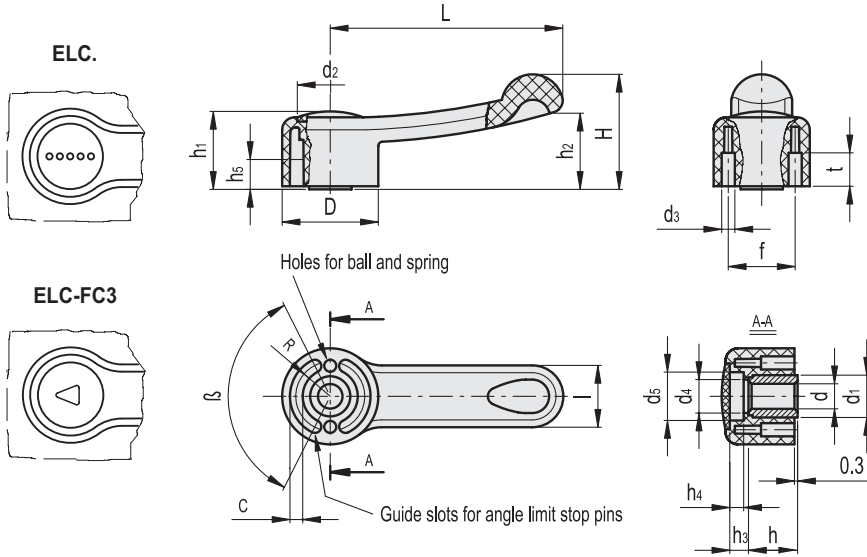
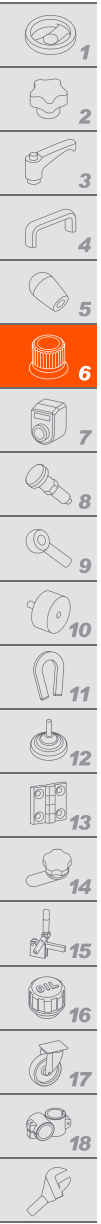
A limited manoeuvre angle is possible by fitting stop pins in the rear guide slot.



ERGOSTYLE® ELESA Original design   

Assembly example
by means of ball and spring
for clicking operation





* Complete with colour index, example: 212121-C2 ELC.67 A-6-C2

- C1**
RAL7021
- C2**
RAL2004
- C3**
RAL7035
- C4**
RAL1021
- C5**
RAL5024
- C6**
RAL3000
- C17**
RAL6017

ELC.

| Code | Description | D | dH7 | L | H | h | h1 | h2 | h3 | h4 | h5 | d1 | d2 | d3* | d4 | d5 | l | R | t | c | β | f | ⚖ |
|----------|----------------|----|-----|-----|----|------|----|----|-----|----|----|----|------|-----|------|------|----|------|------|-----|--------|----|-----|
| 212121.* | ELC.67 A-6.* | 32 | 6 | 67 | 35 | 16 | 24 | 24 | 5 | 3 | 10 | 15 | 22.5 | 4 | 10 | 16 | 20 | 12 | 9 | 4 | 125±1° | 24 | 50 |
| 212131.* | ELC.85 A-8.* | 37 | 8 | 85 | 41 | 17.5 | 27 | 27 | 7.5 | 5 | 10 | 18 | 26 | 5 | 13.5 | 20 | 23 | 13.8 | 12.5 | 4.3 | 125±1° | 26 | 63 |
| 212141.* | ELC.110 A-12.* | 46 | 12 | 110 | 54 | 22 | 35 | 36 | 10 | 8 | 10 | 22 | 31.5 | 6 | 17 | 25.5 | 29 | 17.5 | 15.5 | 6.5 | 125±1° | 32 | 129 |
| 212151.* | ELC.140 A-14.* | 54 | 14 | 140 | 60 | 27 | 38 | 38 | 8.5 | 6 | 10 | 26 | 36 | 8 | 21 | 31 | 34 | 20.2 | 16 | 7 | 125±1° | 39 | 145 |

ELC-FC3

| Code | Description | D | dH7 | L | H | h | h1 | h2 | h3 | h4 | h5 | d1 | d2 | d3* | d4 | d5 | l | R | t | c | β | f | ⚖ |
|------------|------------------|----|-----|-----|----|------|----|----|-----|----|----|----|------|-----|------|------|----|------|------|-----|--------|----|-----|
| 212121-FC3 | ELC.67 A-6-FC3 | 32 | 6 | 67 | 35 | 16 | 24 | 24 | 5 | 3 | 10 | 15 | 22.5 | 4 | 10 | 16 | 20 | 12 | 9 | 4 | 125±1° | 24 | 50 |
| 212131-FC3 | ELC.85 A-8-FC3 | 37 | 8 | 85 | 41 | 17.5 | 27 | 27 | 7.5 | 5 | 10 | 18 | 26 | 5 | 13.5 | 20 | 23 | 13.8 | 12.5 | 4.3 | 125±1° | 26 | 63 |
| 212141-FC3 | ELC.110 A-12-FC3 | 46 | 12 | 110 | 54 | 22 | 35 | 36 | 10 | 8 | 10 | 22 | 31.5 | 6 | 17 | 25.5 | 29 | 17.5 | 15.5 | 6.5 | 125±1° | 32 | 129 |
| 212151-FC3 | ELC.140 A-14-FC3 | 54 | 14 | 140 | 60 | 27 | 38 | 38 | 8.5 | 6 | 10 | 26 | 36 | 8 | 21 | 31 | 34 | 20.2 | 16 | 7 | 125±1° | 39 | 145 |

ELC-SST



| Code | Description | D | dH7 | L | H | h | h1 | h2 | h3 | h4 | h5 | d1 | d2 | d3* | d4 | d5 | l | R | t | c | β | f | ⚖ |
|----------|------------------|----|-----|-----|----|------|----|----|-----|----|----|----|------|-----|------|------|----|------|------|-----|--------|----|-----|
| 212161.* | ELC.67-SST-6.* | 32 | 6 | 67 | 35 | 16 | 24 | 24 | 5 | 3 | 10 | 15 | 22.5 | 4 | 10 | 16 | 20 | 12 | 9 | 4 | 125±1° | 24 | 50 |
| 212171.* | ELC.85-SST-8.* | 37 | 8 | 85 | 41 | 17.5 | 27 | 27 | 7.5 | 5 | 10 | 18 | 26 | 5 | 13.5 | 20 | 23 | 13.8 | 12.5 | 4.3 | 125±1° | 26 | 63 |
| 212181.* | ELC.110-SST-12.* | 46 | 12 | 110 | 54 | 22 | 35 | 36 | 10 | 8 | 10 | 22 | 31.5 | 6 | 17 | 25.5 | 29 | 17.5 | 15.5 | 6.5 | 125±1° | 32 | 129 |
| 212191.* | ELC.140-SST-14.* | 54 | 14 | 140 | 60 | 27 | 38 | 38 | 8.5 | 6 | 10 | 26 | 36 | 8 | 21 | 31 | 34 | 20.2 | 16 | 7 | 125±1° | 39 | 145 |

ELC-SST-FC3



| Code | Description | D | dH7 | L | H | h | h1 | h2 | h3 | h4 | h5 | d1 | d2 | d3* | d4 | d5 | l | R | t | c | β | f | ⚖ |
|------------|--------------------|----|-----|-----|----|------|----|----|-----|----|----|----|------|-----|------|------|----|------|------|-----|--------|----|-----|
| 212161-FC3 | ELC.67-SST-6-FC3 | 32 | 6 | 67 | 35 | 16 | 24 | 24 | 5 | 3 | 10 | 15 | 22.5 | 4 | 10 | 16 | 20 | 12 | 9 | 4 | 125±1° | 24 | 50 |
| 212171-FC3 | ELC.85-SST-8-FC3 | 37 | 8 | 85 | 41 | 17.5 | 27 | 27 | 7.5 | 5 | 10 | 18 | 26 | 5 | 13.5 | 20 | 23 | 13.8 | 12.5 | 4.3 | 125±1° | 26 | 63 |
| 212181-FC3 | ELC.110-SST-12-FC3 | 46 | 12 | 110 | 54 | 22 | 35 | 36 | 10 | 8 | 10 | 22 | 31.5 | 6 | 17 | 25.5 | 29 | 17.5 | 15.5 | 6.5 | 125±1° | 32 | 129 |
| 212191-FC3 | ELC.140-SST-14-FC3 | 54 | 14 | 140 | 60 | 27 | 38 | 38 | 8.5 | 6 | 10 | 26 | 36 | 8 | 21 | 31 | 34 | 20.2 | 16 | 7 | 125±1° | 39 | 145 |