

## Enclosed switches - Fireman switch

Enclosure: Aluminum alloy

Auxiliary contact: Not included (\*Aux.contact included)

### Colors

Enclosure: Red

Handle and cover: Red

### Standards

Devices complying with

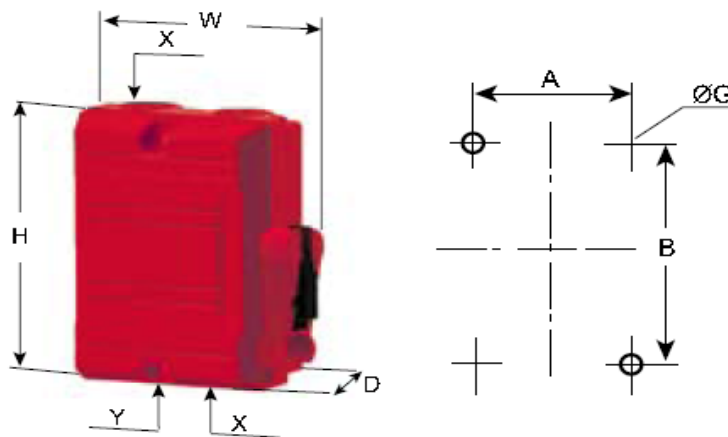
- International standards IEC 60947-3

- British standards BS7671 (Requirements for electrical installations)

## Aluminum enclosed side-operated switch-disconnectors

Rated operational current [A]	Poles	Cable entries Up/Down	Enclosure size			Type	Order number	Weight kg/pce		
			W	H	D					
<b>AC-22A</b>										
<b>230V</b>	<b>400V</b>	<b>690V</b>								
25	25	2	2xM25/2xM25	109	130	60	KSF225 DP	2CMA142435R1000	0.57	
25	25	16	3	2xM25/2xM25	109	130	60	KSF325 TPN	2CMA142436R1000	0.59
40	40	32	3	2xM32/2xM32+1xM16	136	168	68	KSF340 TPN	2CMA142438R1000	0.82
25	25	16	3	2xM25/2xM25	109	130	60	KSF325 NO/TPN*	2CMA142442R1000	0.60
25	25	16	4	2xM25/2xM25	109	130	60	KSF425 TPSN	2CMA142437R1000	0.59
40	40	32	4	2xM32/2xM32+1xM16	136	168	68	KSF440 TPSN	2CMA142439R1000	0.83

\* Auxiliary contact included.



Type	Size			Cable entry		Fixing dimensions		
	W	H	D	X	Y	A	B	G
2-pole, Aluminum enclosed side-operated switch-disconnectors								
KSF 225...	109	130	60	2xM25	-	64	90	5
3-pole, Aluminum enclosed side-operated switch-disconnectors								
KSF 325...	109	130	60	2xM25	-	64	90	5
KSF 340...	136	168	68	2xM32	1xM16	90	127	5
4 pole-Aluminum								
KSF 425...	109	130	60	2xM25	-	64	90	5
KSF 440...	136	168	68	2xM32	1xM16	90	127	5

## Enclosed switches Ratings IEC 60 947-3

Switches type BW and KSE Safety switches type BWS and LBAS Plastic and metal enclosure $I_n$ AC23A 16-90 A $I_{th}$ 25-125 A For motors $P_n$ up to 45 kW $U_n$ 400-750V Degree of protection: IP54 or IP65		BW225 DP BW225 W DP KSE225 DP KSF225 DP		BW325 L		BW325M BW325 BW325 K BW425 BW325Y BW625 KSE325 KSE425 BWS316 BWS416 BWS616 BWS316Y BWS416Y BWS616Y BWS316F LBAS316 LBAS416 KSF325 KSF425			BW240 DP KS 240 DP		BW340 BW440 BW640 KSE340 KSE440 BWS325 BWS425 BWS625 BWS325Y BWS425Y BWS625Y LBAS325 LBAS425 KSF340 KSF440		
Isolation voltage	V	690		400		690			690		690		
Uimp	V	8		8		8			8		8		
Rated thermal current $I_{th}$ at 40°C $I_{th}$ at 60°C With minimum conductor cross section	A A mm <sup>2</sup>	25	25	25	32	40			40				
Operating voltage, $U_e$	V	230	400	400	400 500 690	230	400	400	500	690			
Rated current $I_n$ AC23A $I_n$ AC22A	A A	16	16	16	16 16 10	25	25	25	25	16			
Max fuse, aM	A	25	25	25	25 25 16	40	40	40	40	25			
Max fuse, aM	A	50	50	50	50 35 35	50	50	50	35	35			
Conditional short-circuit current	kA	25	25	25	25 25 25	25	25	25	25	25			
Fuse protected short- circuit making capacity	kA	5.5	5.5	5.0	5.0 4.8 4.8	5.5	5.5	5.0	4.8	4.8			
Rated making capacity $\leq 100A \cos = 0,45$	A	160	160	160	160 160 100	250	250	250	250	160			
Rated breaking capacity $\leq 100A \cos = 0,45$	A	128	128	128	128 128 80	200	200	200	200	128			
Max motor power	kW			7,5	7,5 7,5 7,5				11	15	11		
Terminals for cable section Cu	mm <sup>2</sup>	1 - 10		1 - 10	1 - 10	1 - 10			1 - 10				
Earth terminal	mm <sup>2</sup>	10		10	10	10			10				

