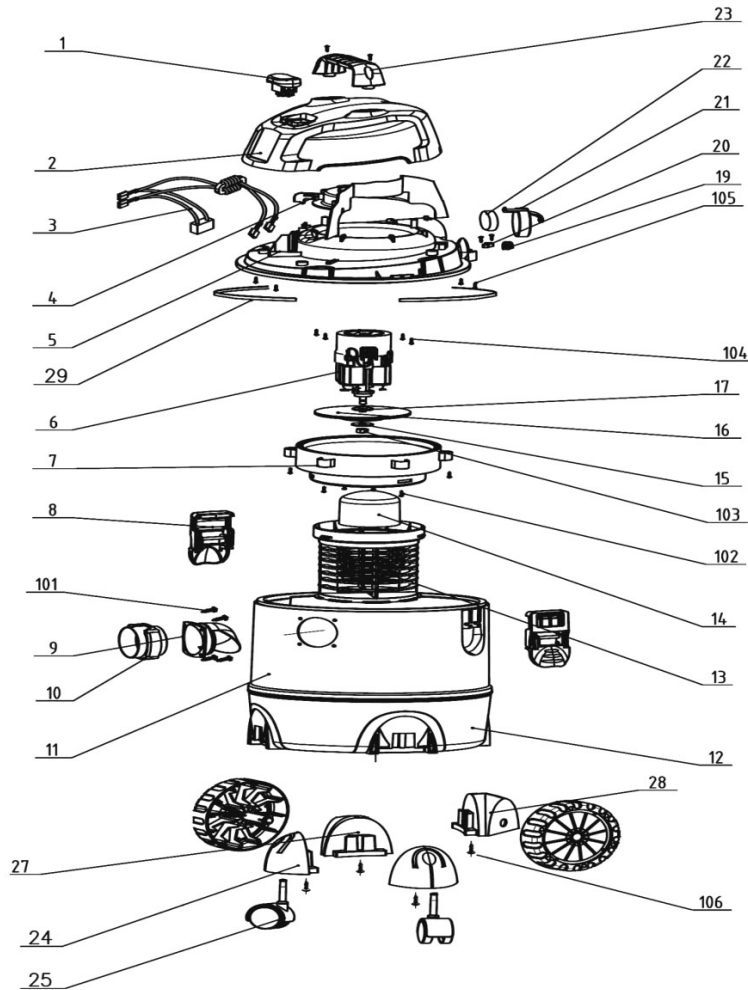


Parts Information:  
**Vacuum Cleaner Wet & Dry 20ltr**  
**1250W/230V**  
**Model No: PC200.V3**



Item	Part No.	Description
1	PC200SD.V3-01	SWITCH
2	PC200SD.V3-02	UPPER COVER
3	PC200SD.V3-03	INDUCTANCE SET
4	PC200SD.V3-04	AIR OUTLET
5	PC200.V3-05	LOWER COVER
6	PC200SD.V3-06	MOTOR
7	PC200SD.V3-07	TRAY
8	PC310.06	BIN CLIP
9	PC200SD.V3-09	HOSE INLET BASE
10	PC200SD.V3-10	HOSE INLET
11	PC200.V3-12	TANK ASS'Y
12	PC200.V3-12	TANK ASS'Y
13	PC200SD.V3-13	BASKET
14	PC200SD.V3-14	FLOAT
15	PC200SD.V3-15	BOARD
16	PC200SD.V3-16	FAN SET
17	PC200.V3-17	WASHER

Item	Part No.	Description
19	PC200SD.V3-19	CORD SLEEVE
20	PC200SD.V3-20	CORD CLAMP
21	PC200.V3-21	FILTER COVER
22	PC200SD.V3-22	FOAM FILTER
23	PC200.V3-23	HANDLE
24	PC200SD.V3-26	CASTOR & FOOT SUPPORT ASS'Y
25	PC200SD.V3-26	CASTOR & FOOT SUPPORT ASS'Y
27	PC200SD.V3-28	WHEEL ASS'Y LEFT (No.2)
28	PC200SD.V3-29	WHEEL ASS'Y RIGHT (No.1)
29	PC200.V3-29	FOAM RING
101	PC200SDV3.101	RD HEAD S/T SCREW M3.9 X 14
102	PC300SDAV3103	RD HEAD S/T SCREW M4X16
103	NLN6.SB	NYLOC NUT M6 BLACK (SINGLE)
104	PC200SDV3.104	RD HEAD S/T SCREW M4X12
105	PC200SDV3.102	RD HEAD S/T SCREW M4X16
106	PC200SDV3.107	RD HEAD S/T SCREW M4X12

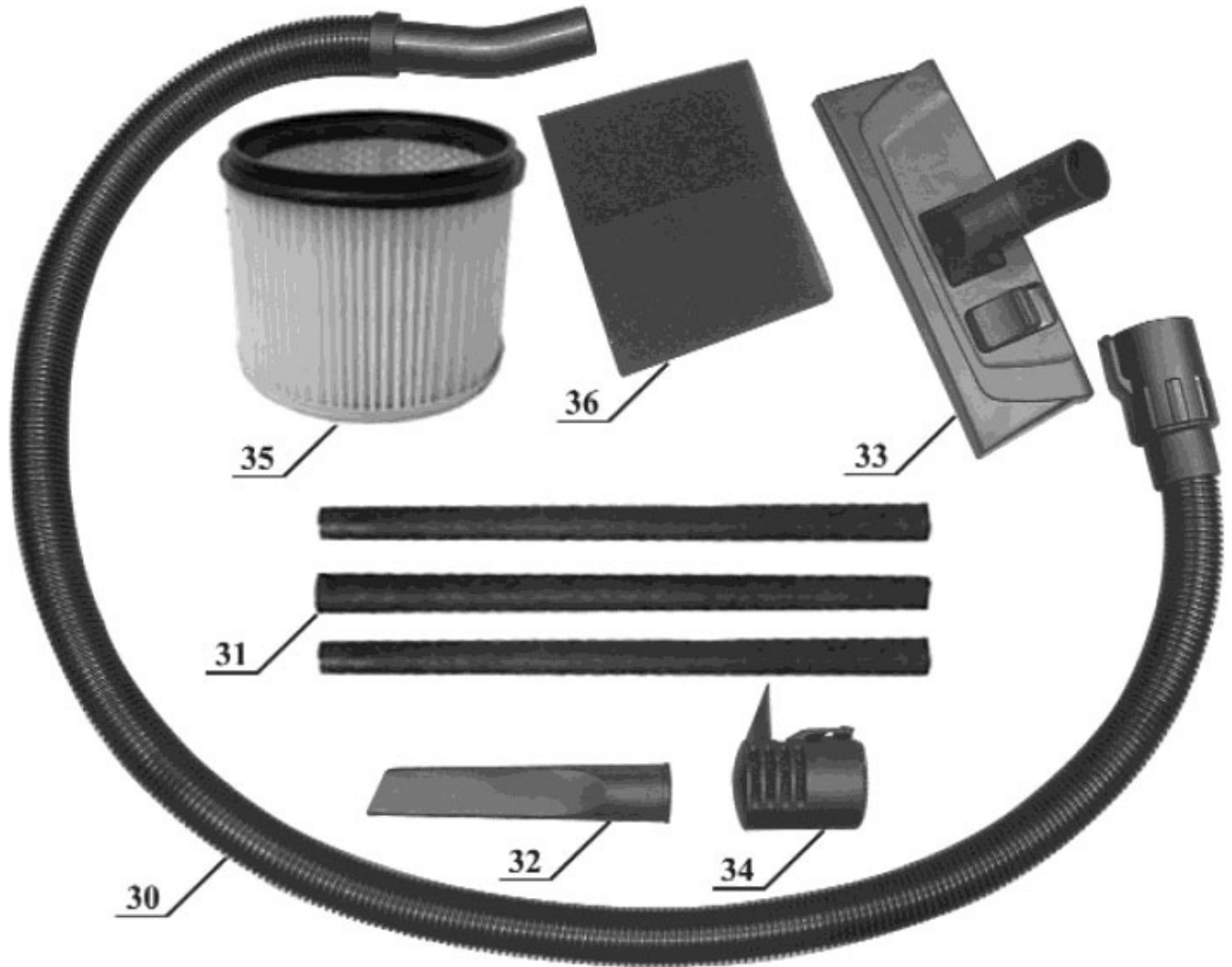
**NOTE:** It is our policy to continually improve products and as such we reserve the right to alter data, specifications and component parts without prior notice.

**IMPORTANT:** No liability is accepted for incorrect use of product.

**WARRANTY:** Guarantee is 12 months from purchase date, proof of which will be required for any claim.



Parts Information:  
**Vacuum Cleaner Wet & Dry 20ltr**  
**1250W/230V**  
**Model No: PC200.V3**



Item	Part No.	Description
30	PC200SDV3-37	HOSE 1.5m
31	PC200.V3-31	EXTENSION TUBES(SET OF 3)
32	PC300SD.V3-54	CREVICE TOOL
33	PC200.V3-33	FLOOR BRUSH
34	PC200SD.V3-42	NOISE DIFFUSER MUFFLER

Item	Part No.	Description
35	PC200CFL	LOCKING CARTRIDGE FILTER for PC200 & PC3
36	PC200FF10	FOAM FILTER for PC200, PC200SD & PC300SD
--	PC200.14	FOAM FILTER (SINGLE) (NOT SHOWN)
--	PC200PB5	DUST COLLECTION BAG for PC200, PC200SD P (NOT SHOWN)

**NOTE:** It is our policy to continually improve products and as such we reserve the right to alter data, specifications and component parts without prior notice.

**IMPORTANT:** No liability is accepted for incorrect use of product.

**WARRANTY:** Guarantee is 12 months from purchase date, proof of which will be required for any claim.

**Sealey Group**, Kempson Way, Suffolk Business Park, Bury St Edmunds, Suffolk. IP32 7AR



01284 757500



01284 703534



sales@sealey.co.uk



www.sealey.co.uk