





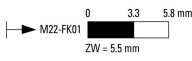


Contact element FlatRear, 1 N/C, front mount, spring clamp connection

Part no. M22-FK01
Catalog No. 180791
Eaton Catalog No. M22-FK01


Delivery program

Product range		Accessories
Single unit/Complete unit		Element
Basic function accessories		Contact elements
Approval		
Connection technique		Cage Clamp
Fixing		Front fixing
Description		Cage Clamp is a registered trademark of Wago Kontakttechnik GmbH/Minden, Germany
Contacts		
N/C = Normally closed		1 NC 
Notes		 = safety function, by positive opening to IEC/EN 60947-5-1
Actuator travel and actuation force as per DIN EN 60947-5-1, K.5.4.1		
	mm	5.5
Maximum travel	mm	5.8
Minimum force for positive opening	N	20
Contact sequence		

Contact travel diagram, stroke in connection with front element		
Degree of Protection		IP20
Connection to SmartWire-DT		no

Technical data

General

Standards			IEC 60947-5-1
Lifespan, mechanical	Operations	$\times 10^6$	> 1
Operating frequency	Operations/h		 3600
Actuating force		n	 4.5
Degree of Protection			IP20
Climatic proofing			Damp heat, constant, to IEC 60068-2-78 Damp heat, cyclic, to IEC 60068-2-30 Dry heat to IEC 60068-2-2
Ambient temperature			
Open		°C	-25 - +70
Storage		°C	-40 - +85
Mechanical shock resistance to IEC 60068-2-27 Shock duration 11 ms, half-sinusoidal		g	> 50
Terminal capacities		mm ²	
Solid		mm ²	2 x 1 (0.2 - 1.5) 2 x 1 (075 - 1.5) Can be plugged without tools
Flexible with ferrule		mm ²	2 x 1 (0.25 - 1) Use WAGO Variocrimp 4 crimping tool; please enquire for others
Flexible without ferrule		mm ²	2 x 1 (0.25 - 1) Insert with tool
Solid or stranded		AWG	2 x 1 (24 - 16)

Contacts

Rated impulse withstand voltage	U_{imp}	V AC	4000
Rated insulation voltage	U_i	V	250
Overvoltage category/pollution degree			III/3
Max. short-circuit protective device			
Fuseless		Type	FAZ-B4
Fuse	gG/gL	A	4

Switching capacity

Rated operational current	I_e	A	
AC-15			
24 V	I_e	A	4
60 V	I_e	A	4
110 V	I_e	A	2
230 V	I_e	A	1.5
DC-13			
24 V	I_e	A	1.5
60 V	I_e	A	0.8
110 V	I_e	A	0.4
220 V	I_e	A	0.2

Auxiliary contacts

Rated conditional short-circuit current	I_q	kA	1
---	-------	----	---

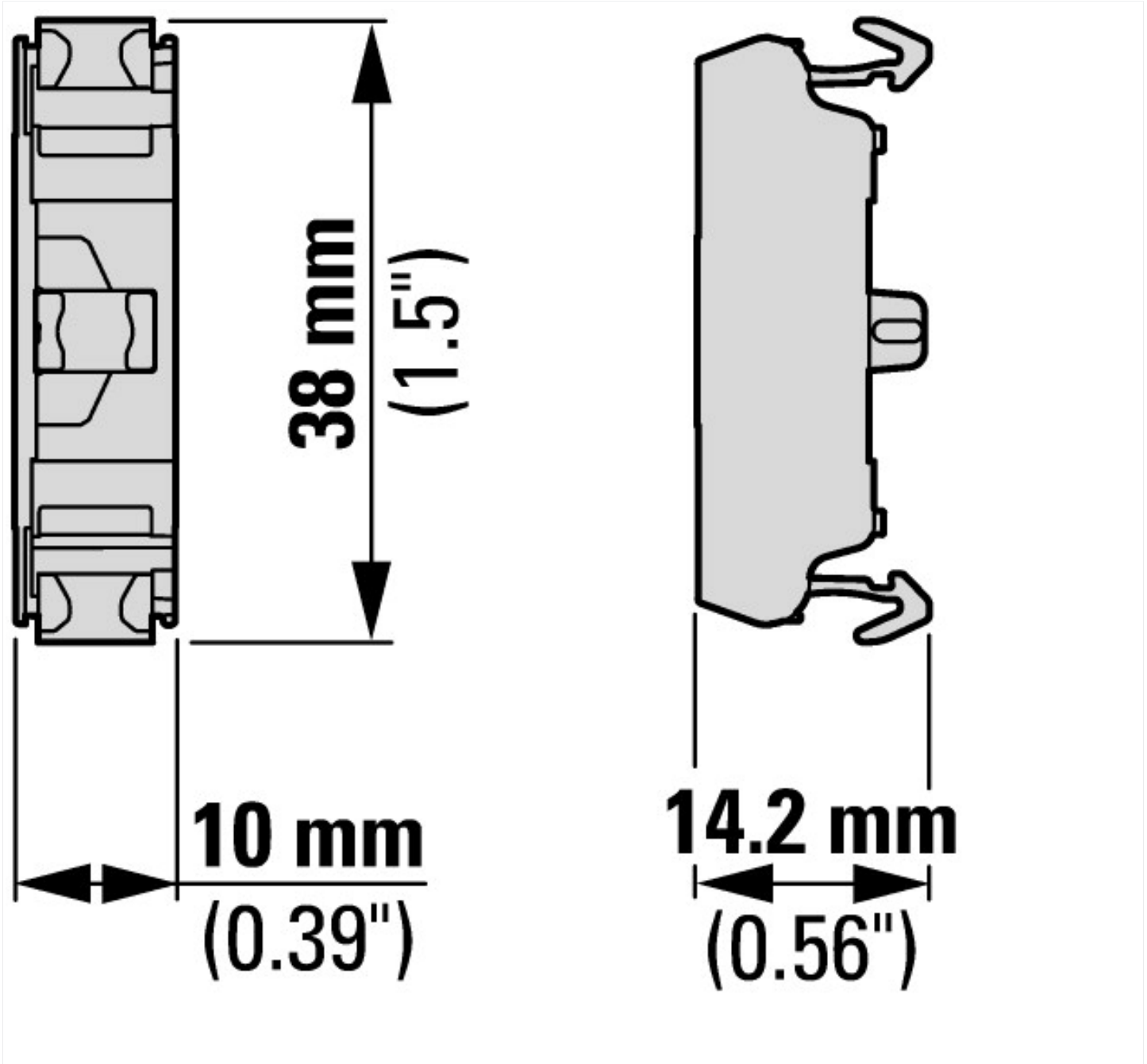
Design verification as per IEC/EN 61439

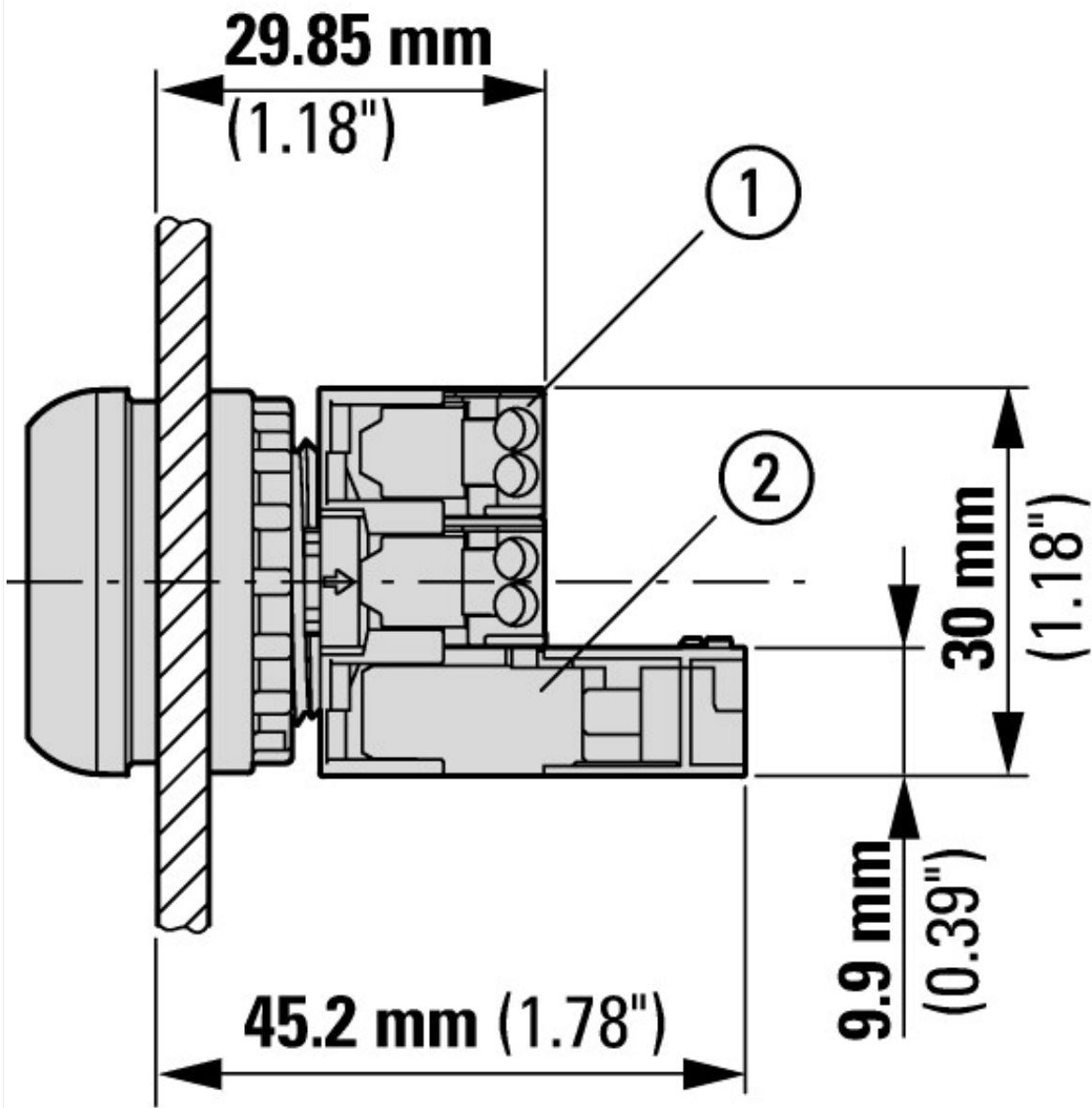
Technical data for design verification			
Operating ambient temperature max.		°C	-25
Operating ambient temperature max.		°C	70

Technical data ETIM 6.0

Number of contacts as change-over contact		0
Number of contacts as normally open contact		0
Number of contacts as normally closed contact		1
Rated operation current I _e at AC-15, 230 V	A	1.5
Type of electric connection		Spring clamp connection
Model		Top mounting
Mounting method		Front fastening

Dimensions





① M22-FK10(01)

② M22-(C)K...

Additional product information (links)

DGUV Test Mark Customer Information

http://www.dguv.de/medien/dguv-test-medien/_pdf_zip_doc_ppt/agb-und-pzo/dguv_test_zeichen_infoblatt_kunden.pdf